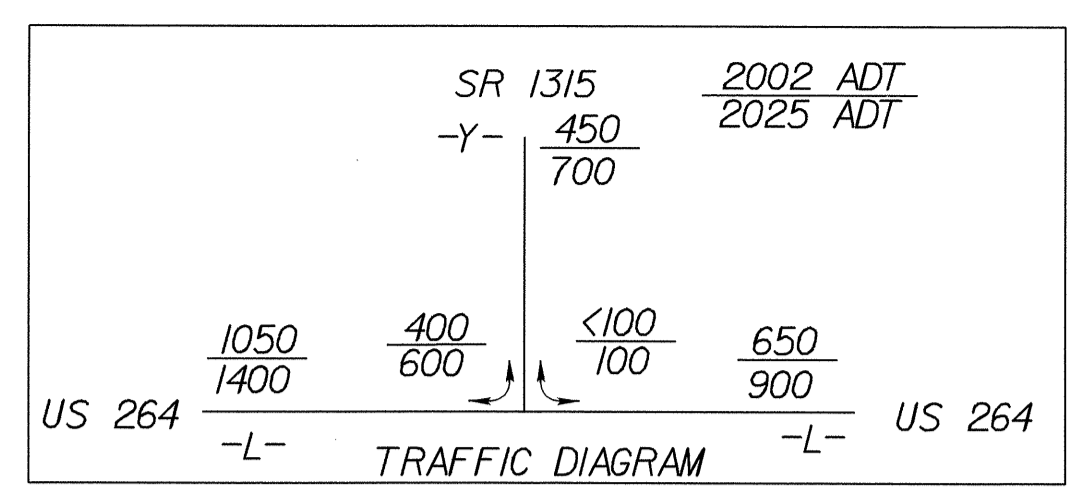
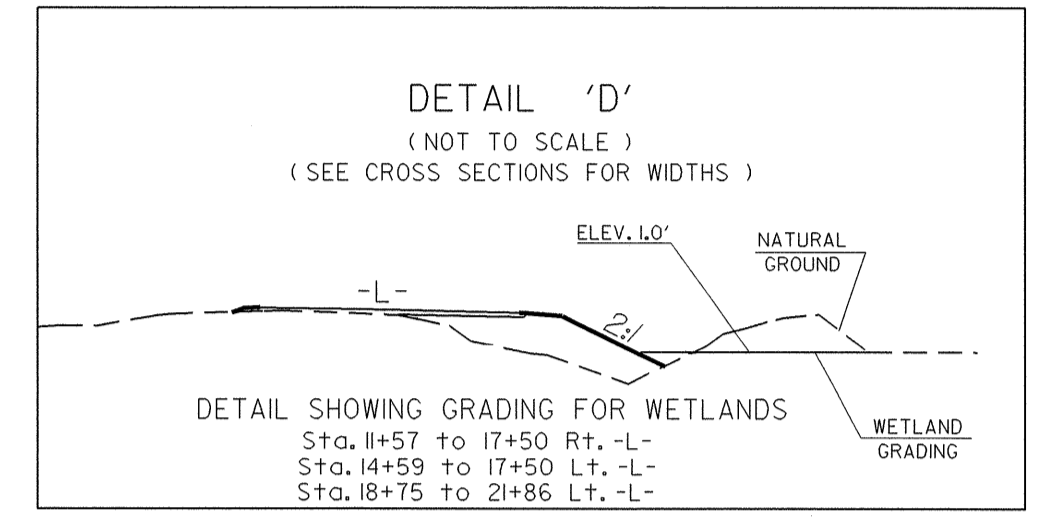


**DATUM DESCRIPTION**  
 THE LOCALIZED COORDINATE SYSTEM DEVELOPED FOR THIS PROJECT IS BASED ON THE STATE PLANE COORDINATES ESTABLISHED BY NCOS FOR MONUMENT "CUTHRELL"  
 WITH NAD 83 STATE PLANE GRID COORDINATES OF  
 NORTHING: 654262.2184(ft) EASTING: 2893025.5492(ft)  
 THE AVERAGE COMBINED GRID FACTOR USED ON THIS PROJECT (GROUND TO GRID) IS: 0.9998828  
 THE N.C. LAMBERT GRID BEARING AND LOCALIZED HORIZONTAL GROUND DISTANCE FROM "CUTHRELL" TO -L- Sta. 10+00.00 IS  
 N 53°54'48.87" E 1917.57'  
 ALL LINEAR DIMENSIONS ARE LOCALIZED HORIZONTAL DISTANCES  
 VERTICAL DATUM USED IS MVD 29

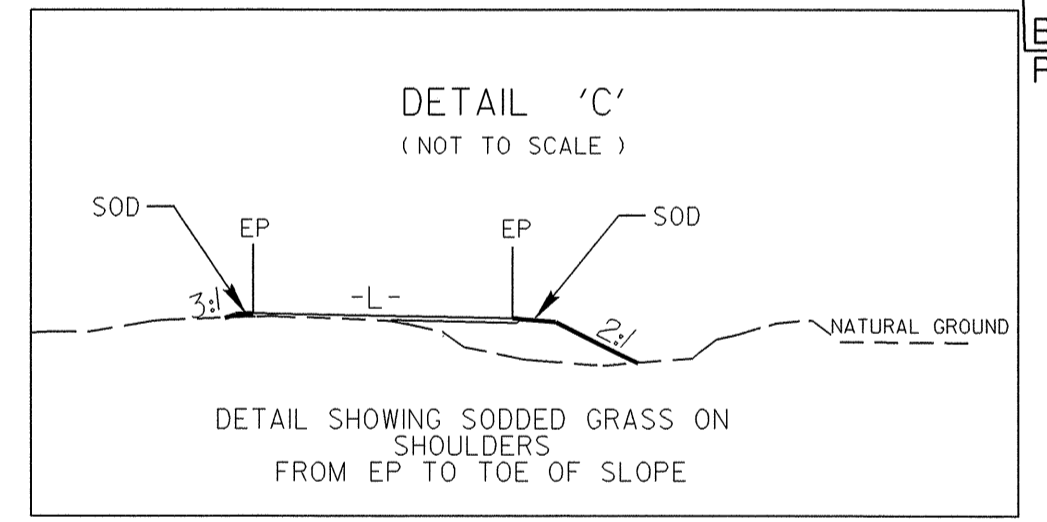
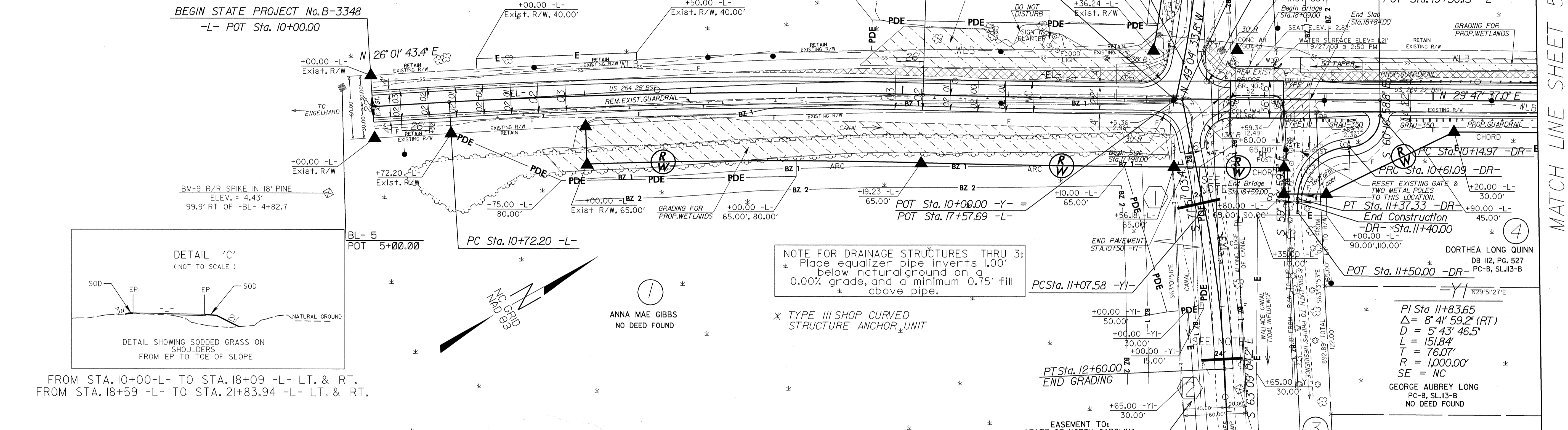


**-DR-**  
 PI Sta 11+08.84 Δ = 87° 21' 28.8" (LT) D = 114' 35" 29.6" L = 76.23' T = 47.75' R = 50.00' SE = NC  
 PI Sta 10+43.99 Δ = 88° 05' 28.0" (RT) D = 190' 59" 09.4" L = 46.12' T = 29.02' R = 30.00' SE = NC

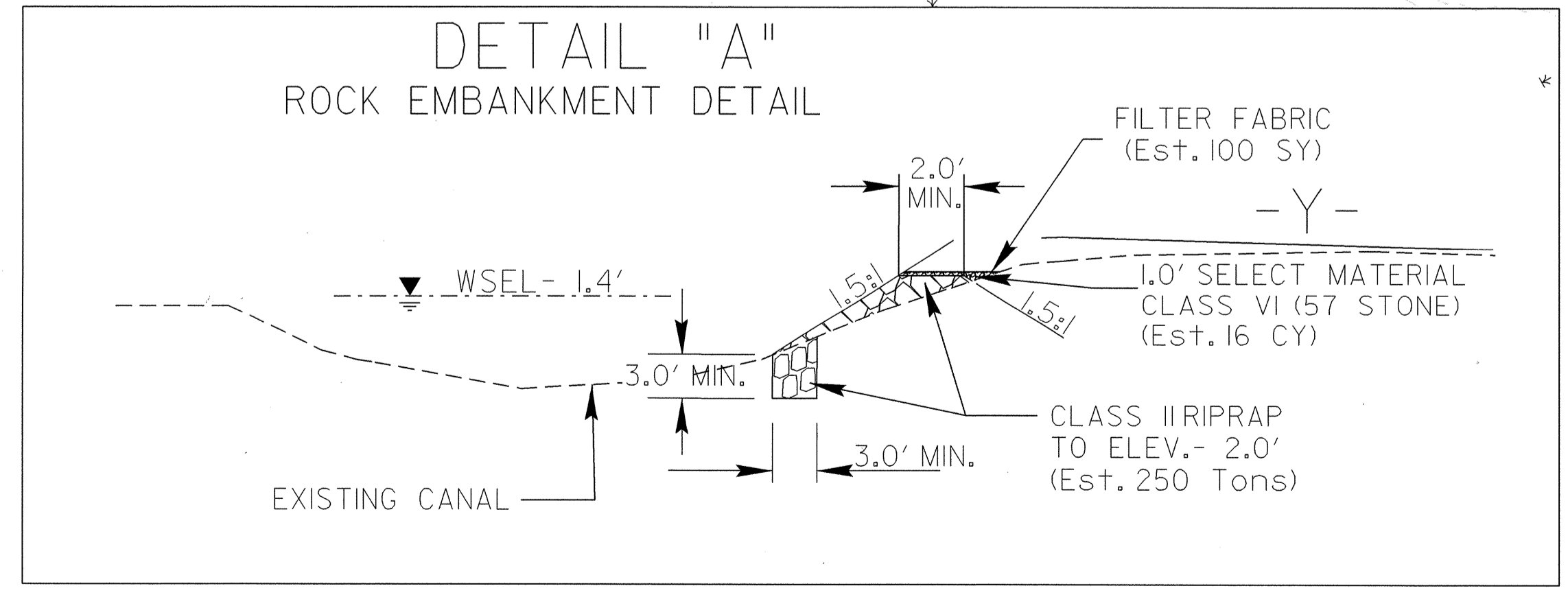


FROM STA. 10+00-L- TO STA. 18+09 -L- LT. & RT.  
 FROM STA. 18+59 -L- TO STA. 21+83.94 -L- LT. & RT.

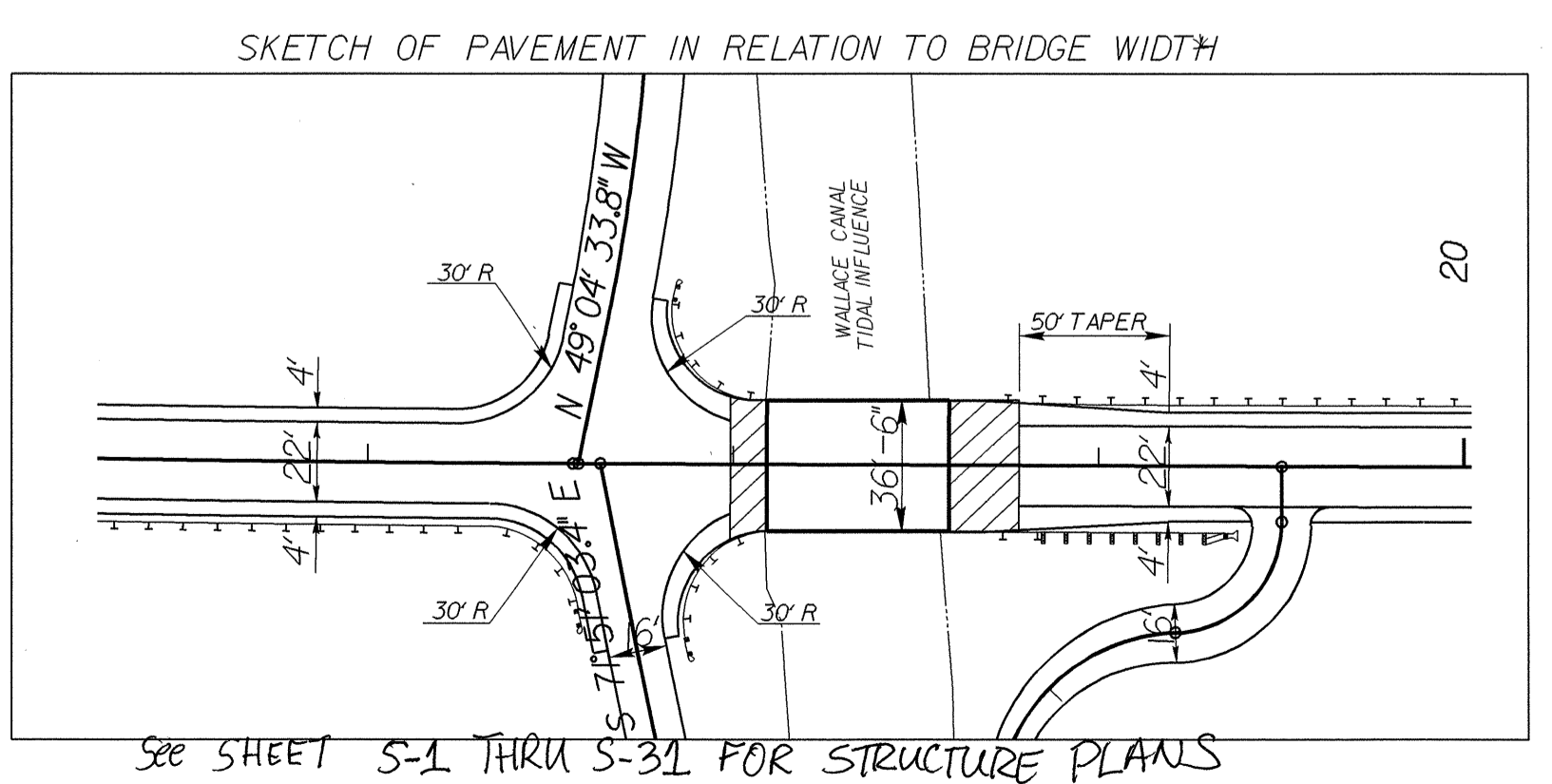
**-L-**  
 PI Sta 12+95.86 Δ = 5° 07' 21.1" (RT) D = 1' 08" 45.3" L = 447.03' T = 223.66' R = 5,000.00' SE = 0.03 RO = 78'  
 PI Sta 16+37.71 Δ = 1° 21' 27.5" (LT) D = 0' 34" 22.6" L = 236.95' T = 118.48' R = 10,000.00' SE = NC



FROM STA. 10+00-L- TO STA. 18+09 -L- LT. & RT.  
 FROM STA. 18+59 -L- TO STA. 21+83.94 -L- LT. & RT.



FROM STA. 10+70 TO 11+30 -Y- LT.



SEE SHEET S-1 THRU S-31 FOR STRUCTURE PLANS

NOTE: SEE SHEET No.6 FOR -L- PROFILE  
 NOTE: SEE SHEET No.7 FOR -Y- PROFILE  
 NOTE: SEE SHEET No.7 FOR -YI- PROFILE  
 NOTE: SEE SHEET No.7 FOR -DR- PROFILE  
 SEE SHEET S-1 THRU S-31 FOR STRUCTURE PLANS

C. GILBERT GIBBS NO DEED FOUND  
 PT Sta. 12+10.07 -Y- End Construction  
 POT Sta. 10+00.00 -YI-  
 POT Sta. 17+63.63 -L-  
 BL-6 PINC 13+30.83 =  
 BY-6 POT 10+53.05 =  
 -L- POT 18+01.17  
 47.03' Lt.  
 POT Sta. 10+00.00 -DR- =  
 POT Sta. 19+50.13 -L-  
 PC Sta. 10+74.97 -DR-  
 PRC Sta. 10+61.09 -DR-  
 PT Sta. 11+37.33 -DR-  
 End Construction -DR- Sta. 11+40.00  
 POT Sta. 11+50.00 -DR-  
 PI Sta 11+83.65 Δ = 8° 41' 59.2" (RT) D = 5' 43" 46.5" L = 151.84' T = 76.07' R = 1,000.00' SE = NC  
 GEORGE AUBREY LONG PC-B, SL.113-B NO DEED FOUND  
 PROPERTY OWNER  
 DONALD CRICKMAR DB 192, PG. 497

MATCH LINE SHEET 5