

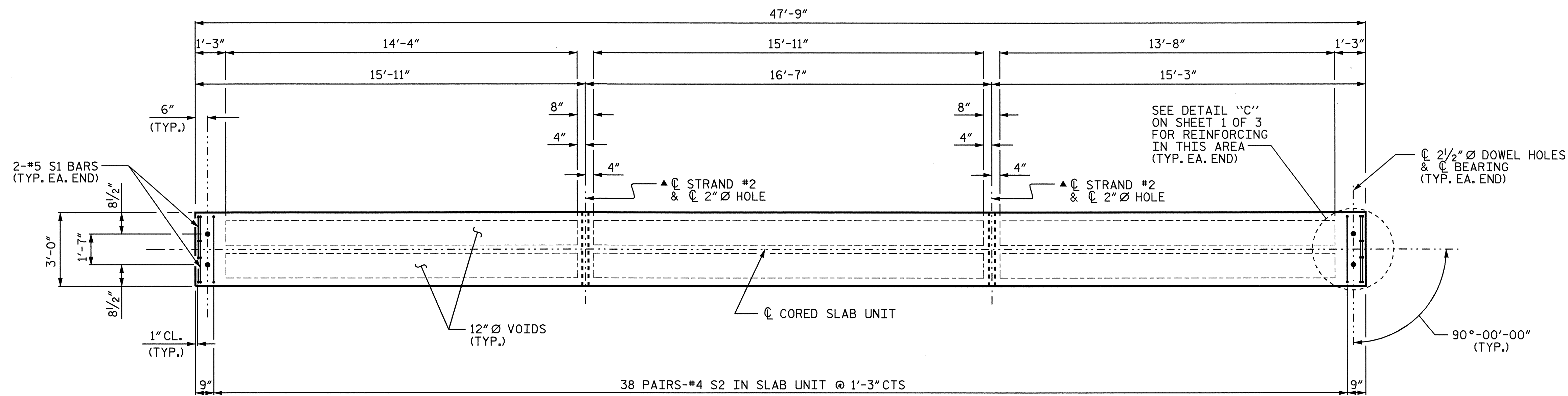
NOTES:

FOR GROUTED RECESS SEE "SUPERSTRUCTURE TYPICAL SECTION" SHEET 2 OF 2.

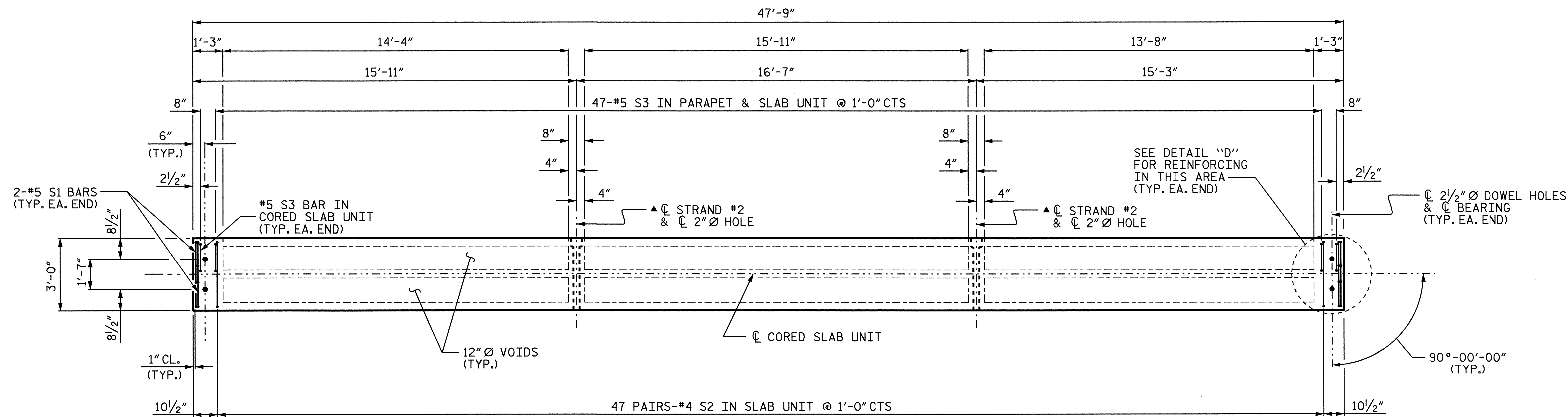
▲ STRAND #2 GOES THRU ALL 13 CORED SLAB UNITS (TO BE TENSIONED DURING STAGE 2 CONSTRUCTION)

▲ STRAND #2 IS 1/2" Ø H.S. TRANSVERSE POST-TENSIONING STRAND.

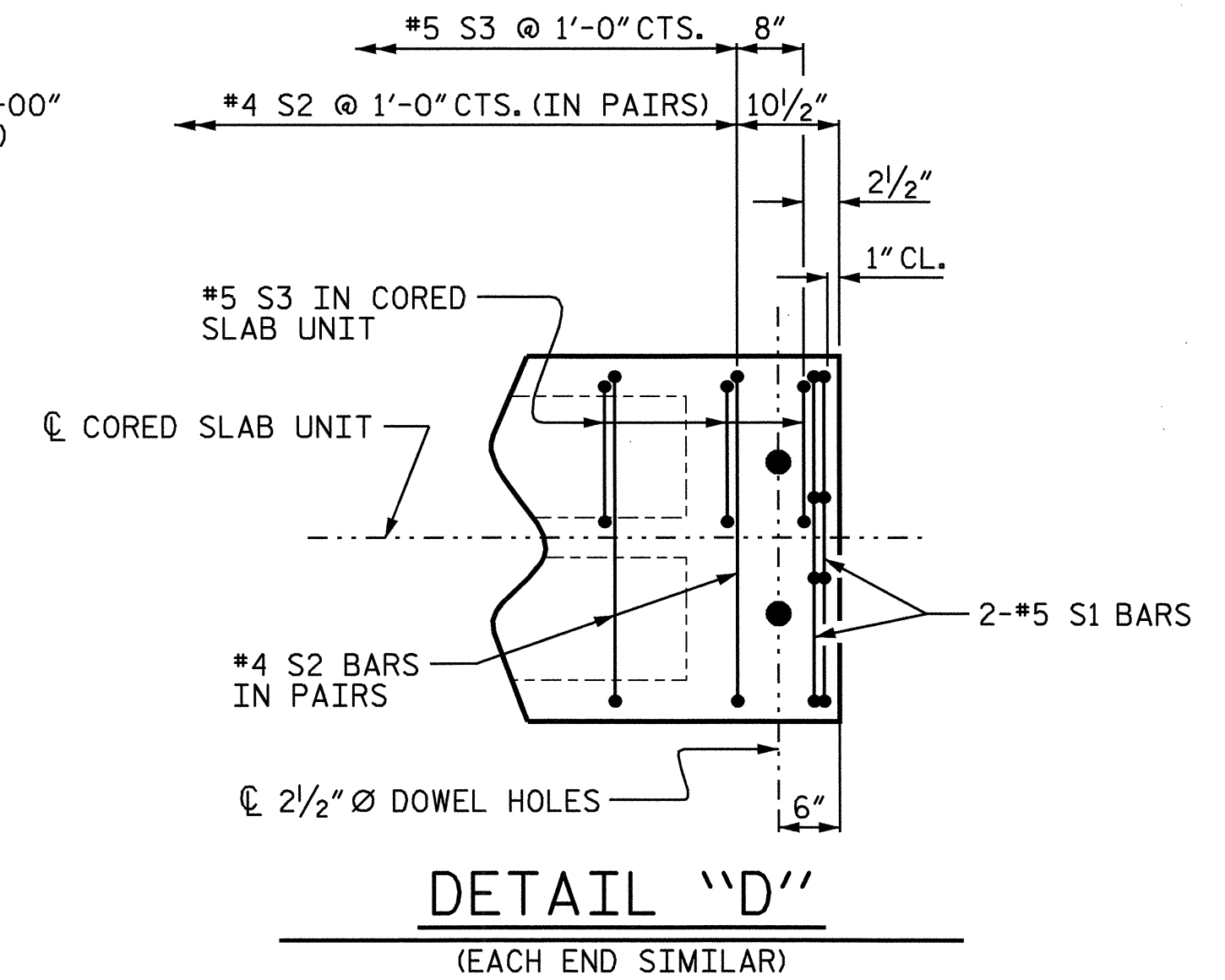
THE #4 S2 AND #5 S3 BARS MAY BE SHIFTED SLIGHTLY IN ORDER TO MAINTAIN A 2" MIN. CLEARANCE TO THE 2" Ø HOLES.



PLAN OF TYPE V CORED SLAB UNIT (STAGE 2)



PLAN OF TYPE VI CORED SLAB UNIT (STAGE 2)



DETAIL "D"
(EACH END SIMILAR)

PROJECT NO. B-3348

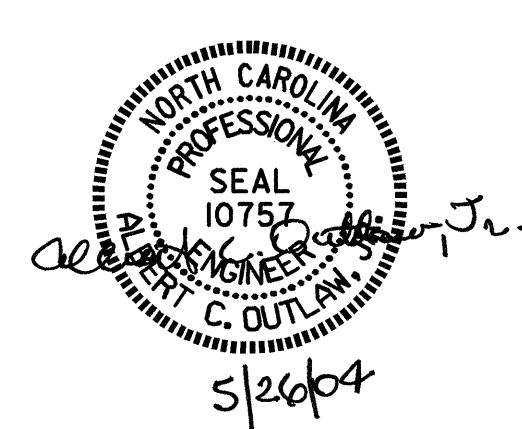
HYDE COUNTY

STATION: 18+34.00 -L-

SHEET 3 OF 3

STATE OF NORTH CAROLINA
DEPARTMENT OF TRANSPORTATION
RALEIGH
3'-0" X 1'-9"
PRESTRESSED CONCRETE
CORED SLAB UNIT
DETAILS

REVISIONS						SHEET NO.	
NO.	BY:	DATE:	NO.	BY:	DATE:	S-10	
1			3			TOTAL SHEETS	
2			4			76	



DRAWN BY: P.C. BREWER DATE: 1/14/04
CHECKED BY: A.C. OUTLAW DATE: 1/27/04