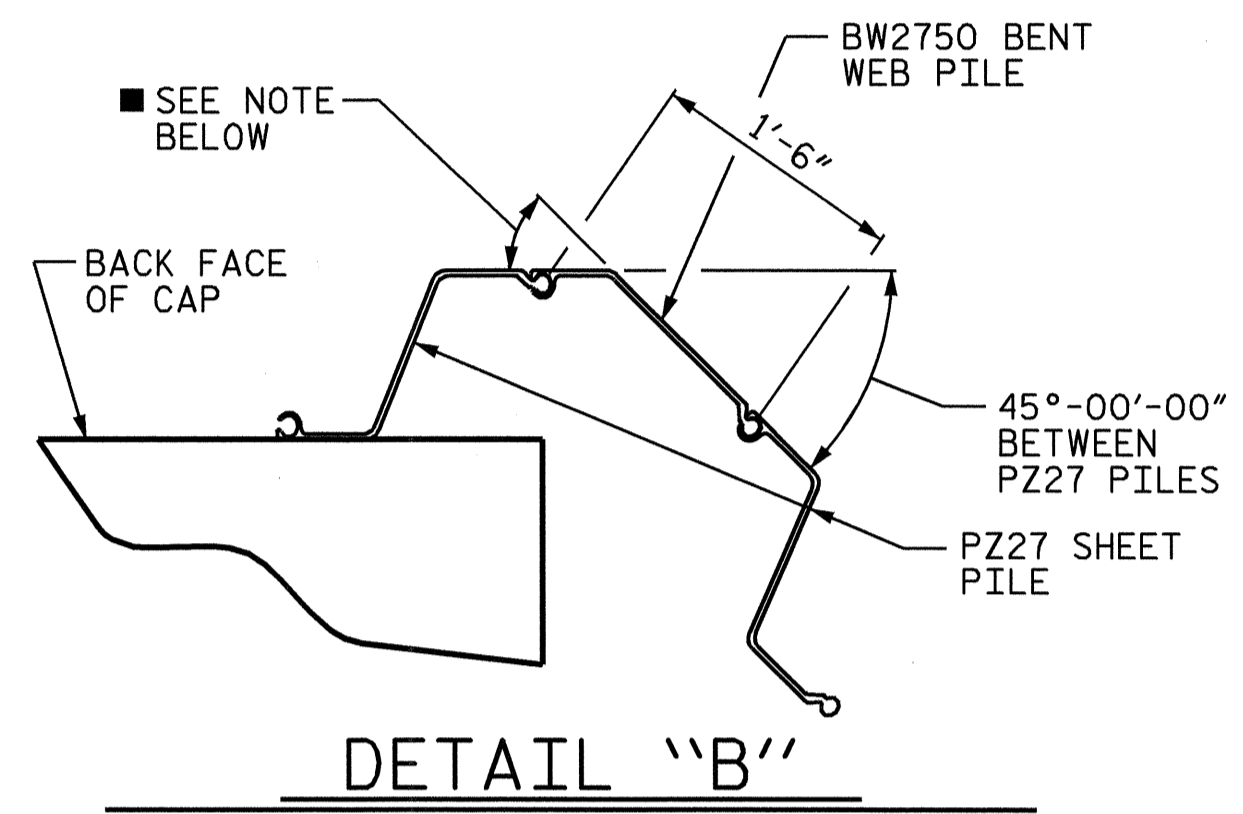
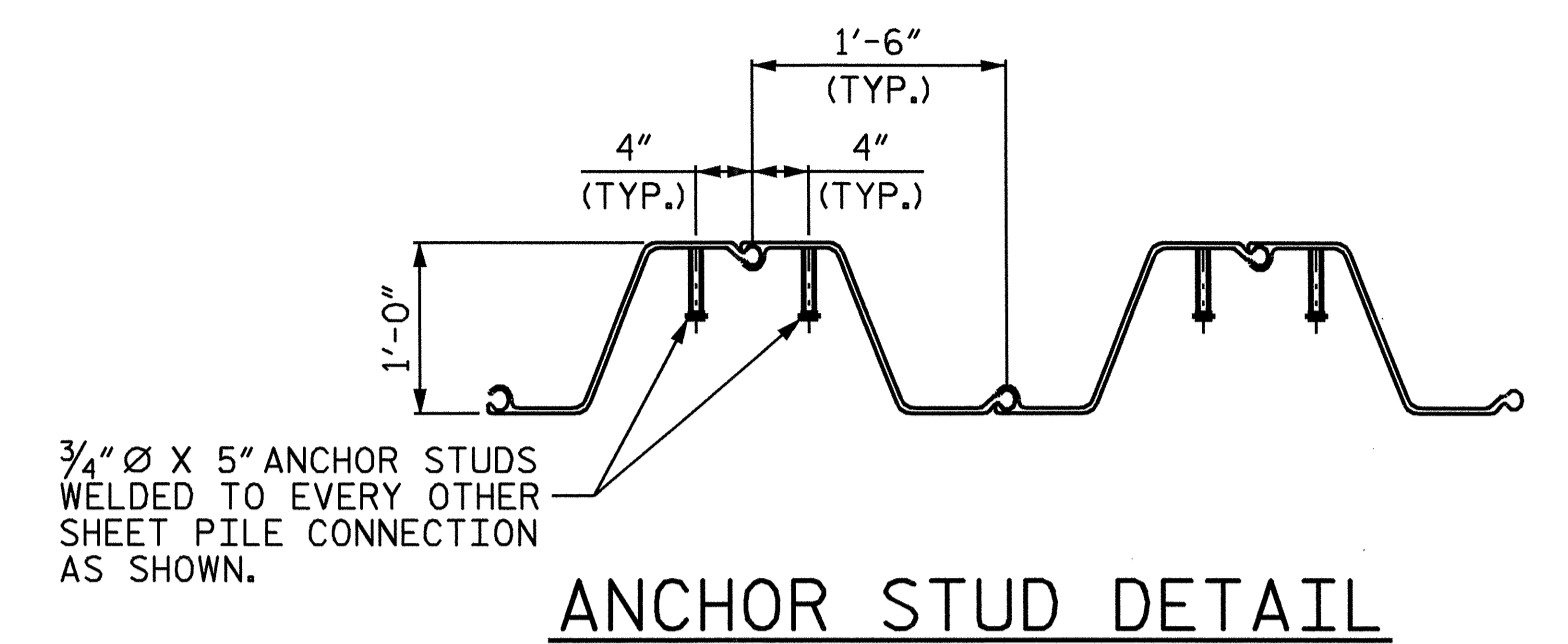
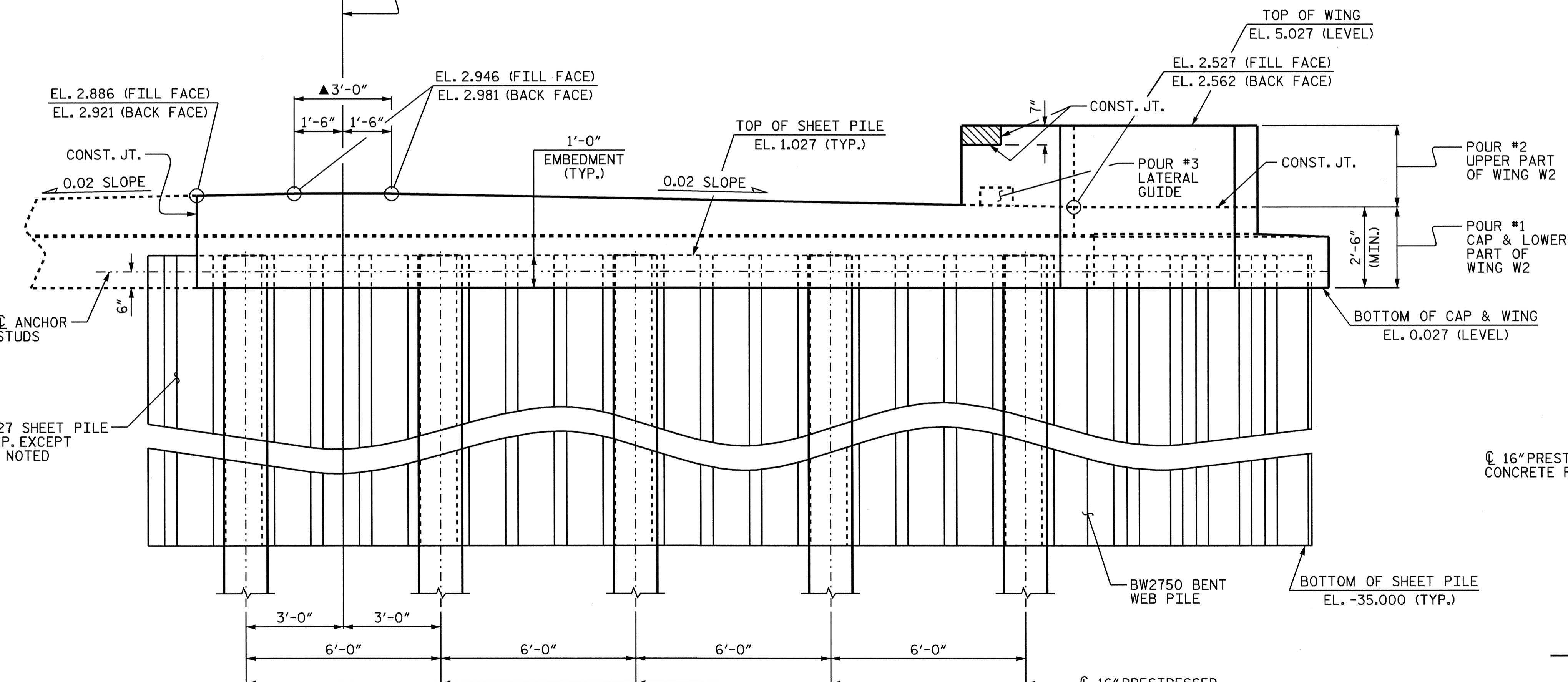


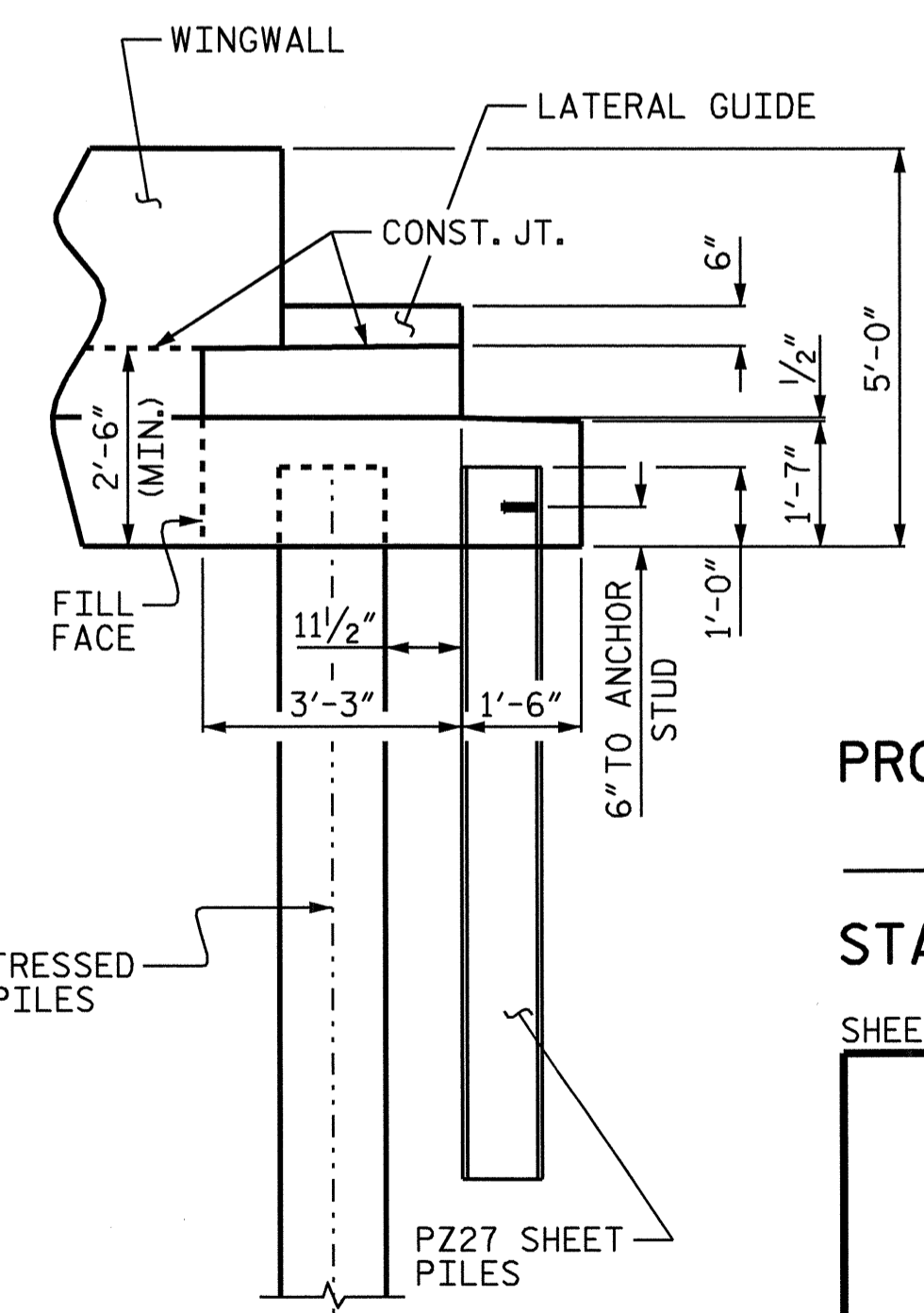
PLAN (STAGE 1)
(FOR CLARITY, BEARING PADS & DOWELS NOT SHOWN IN PLAN VIEW)



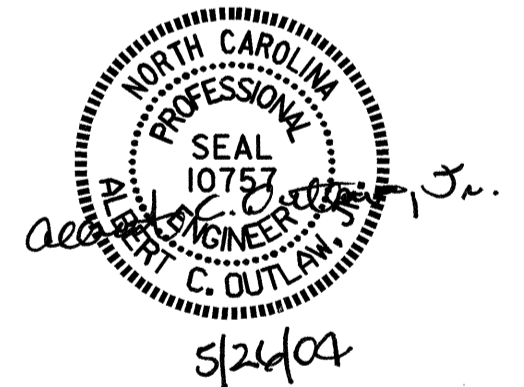
NOTE:
THE BEND IN THE BENT WEB PILE SHALL BE DETERMINED BY THE FABRICATOR.



ELEVATION (STAGE 1)
(FOR REINFORCING STEEL IN CAP, SEE SHEET 2 OF 6)



END ELEVATION
(STAGE 1 SHOWN, STAGE 2 SIMILAR)



PROJECT NO. B-3348
HYDE COUNTY
STATION: 18+34.00 -L-

SHEET 1 OF 6
STATE OF NORTH CAROLINA
DEPARTMENT OF TRANSPORTATION
RALEIGH
SUBSTRUCTURE
END BENT No. 1
STAGE 1

REVISIONS						SHEET NO.
NO.	BY:	DATE:	NO.	BY:	DATE:	S-17
1			3			TOTAL SHEETS 76
2			4			

DRAWN BY: P.C. BREWER DATE: 2/25/04
CHECKED BY: C.H. SIMPSON DATE: 3/15/04