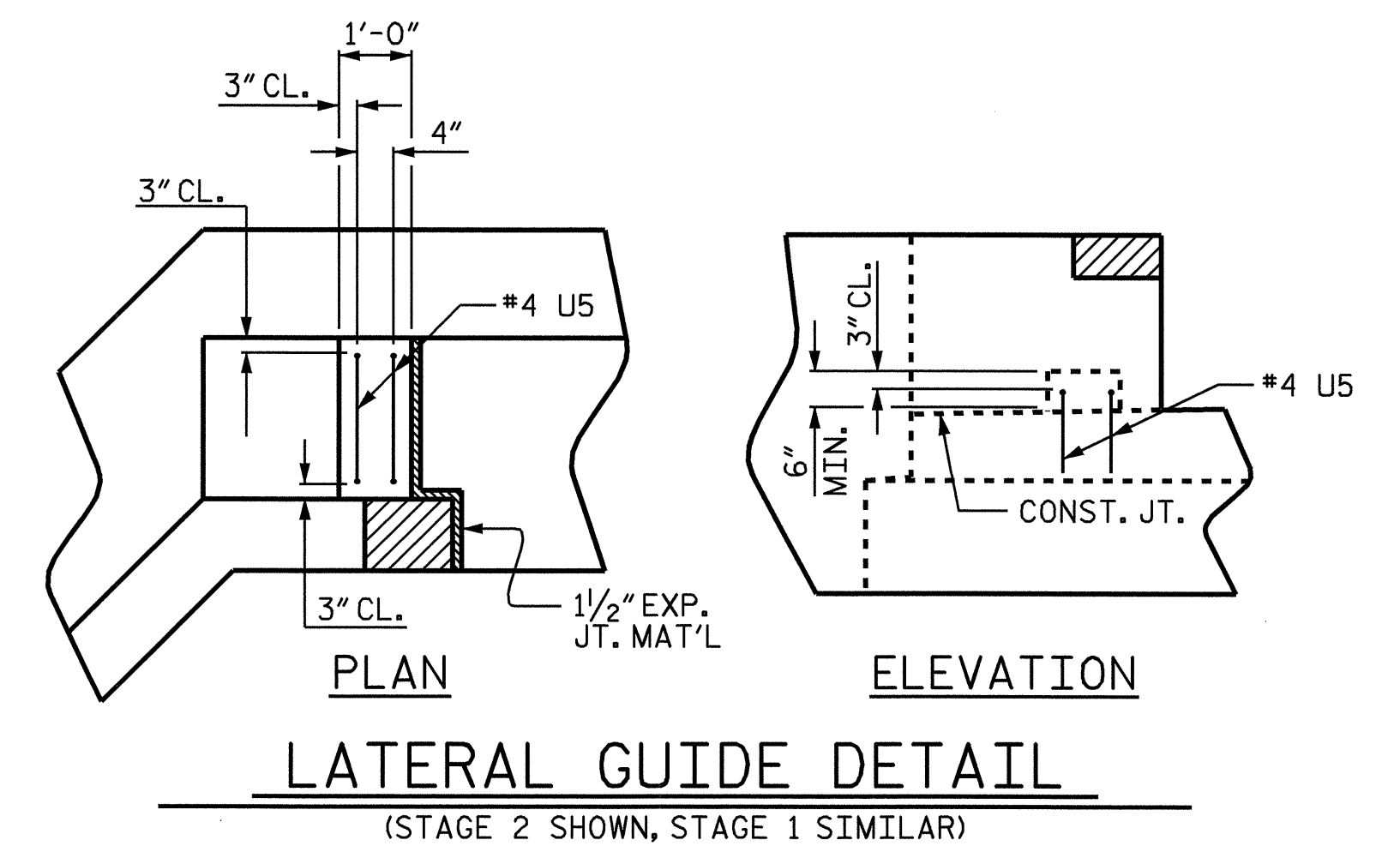
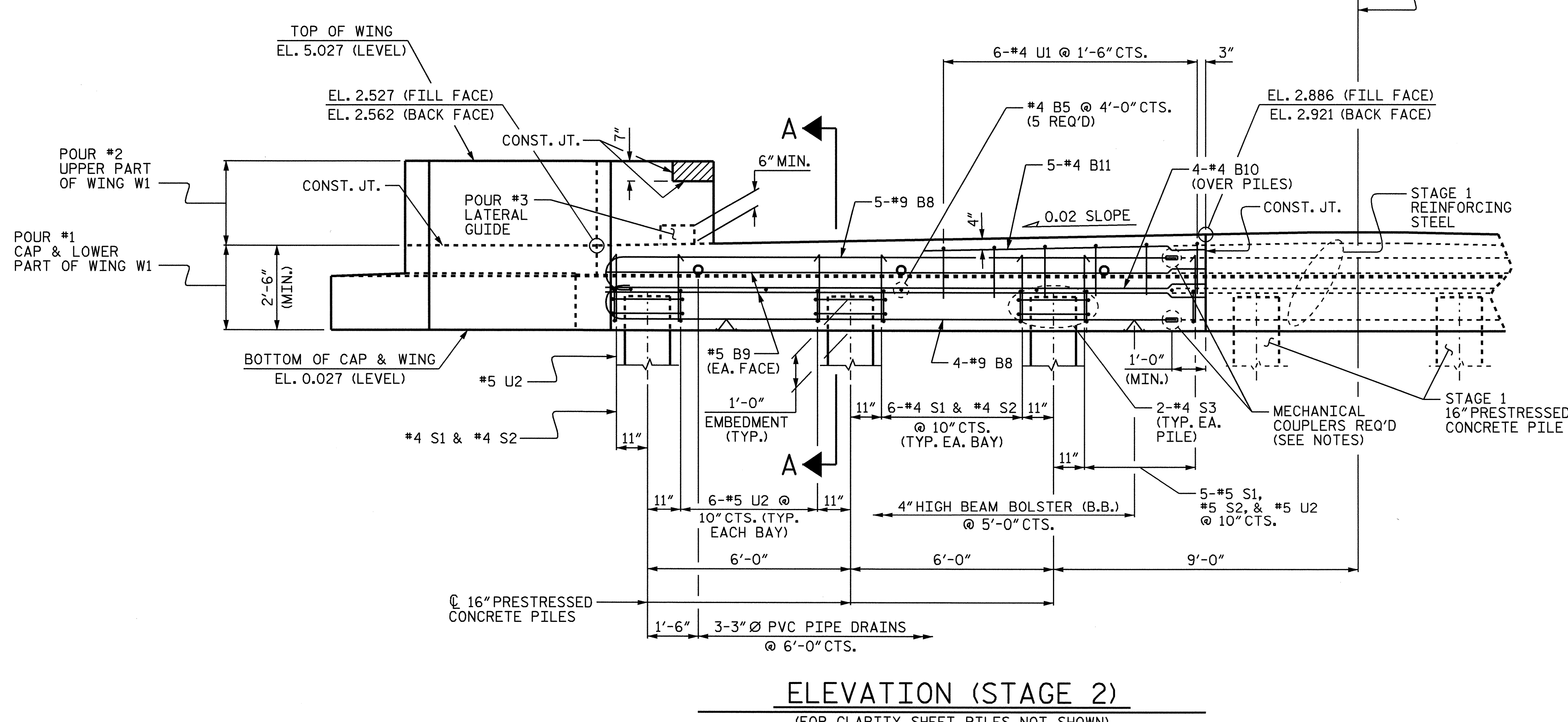


PLAN (STAGE 2)
(FOR CLARITY, SHEET PILES NOT SHOWN)



LATERAL GUIDE DETAIL
(STAGE 2 SHOWN, STAGE 1 SIMILAR)

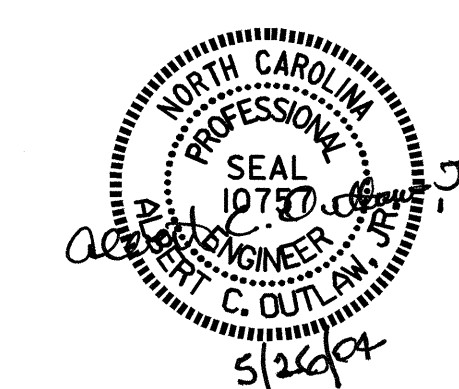


ELEVATION (STAGE 2)
(FOR CLARITY, SHEET PILES NOT SHOWN)

PROJECT NO. B-3348
HYDE COUNTY
STATION: 18+34.00 -L-

SHEET 4 OF 6

STATE OF NORTH CAROLINA
DEPARTMENT OF TRANSPORTATION
RALEIGH
SUBSTRUCTURE
END BENT No. 1
STAGE 2



REVISIONS						SHEET NO.	
NO.	BY:	DATE:	NO.	BY:	DATE:	S-20	
1			3			TOTAL SHEETS	
2			4			76	

DRAWN BY: P.C. BREWER DATE: 3/1/04
CHECKED BY: C.H. SIMPSON DATE: 3/15/04