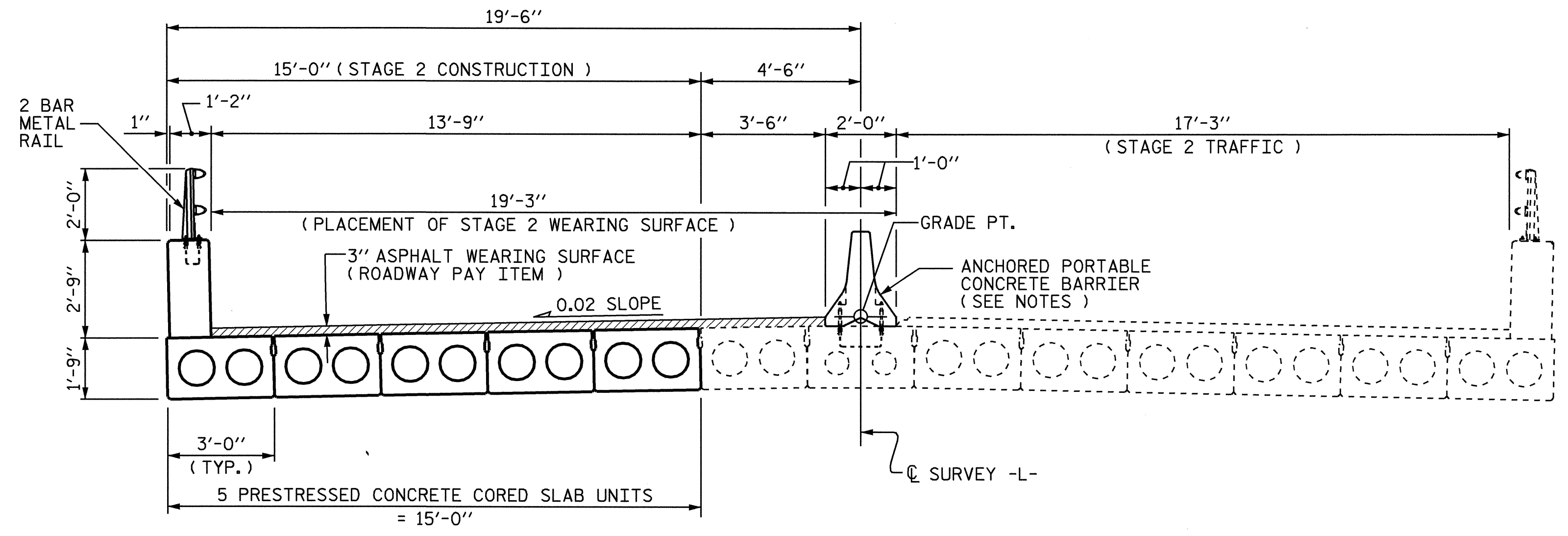
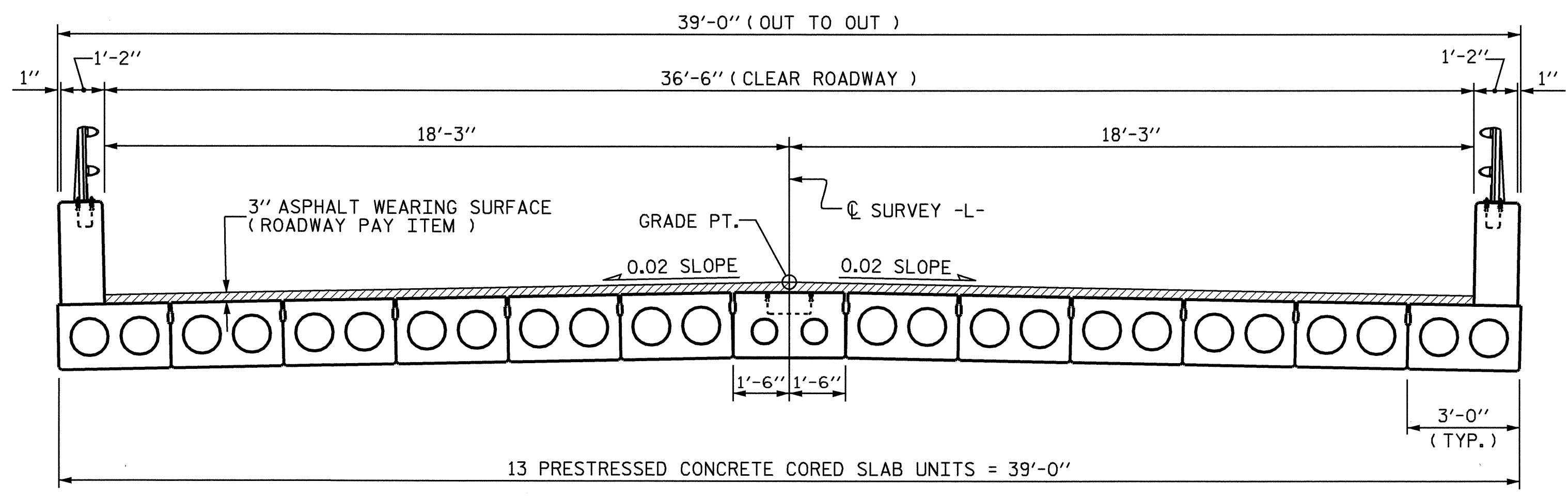


STAGE 1 CONSTRUCTION



STAGE 2 CONSTRUCTION



FINAL STRUCTURE

NOTES

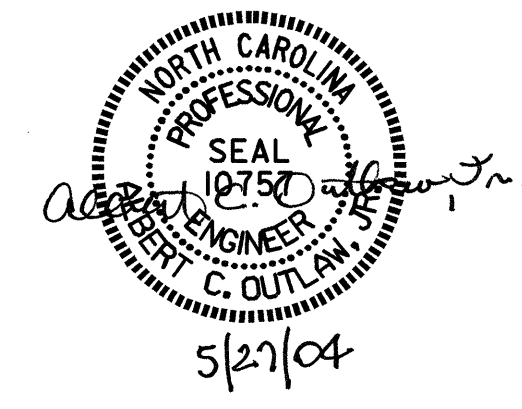
- ▲ THE CUT LINE ON THE EXISTING BRIDGE SUPERSTRUCTURE SHALL BE LOCATED 8"± PAST © EXISTING BEAM. THE CUT LINE ON THE SUBSTRUCTURE SHALL BE LOCATED 1 FOOT± PAST © EXISTING PILE OR AS DIRECTED BY THE ENGINEER.
- FOR MAINTENANCE OF TRAFFIC, SEE TRAFFIC CONTROL PLANS.
- SEE TRAFFIC CONTROL PLANS FOR LOCATION AND PAY LIMITS OF THE ANCHORED PORTABLE CONCRETE BARRIER.

PROJECT NO. B-3348
HYDE COUNTY
 STATION: 22+85.00 -L-

SHEET 3 OF 4

STATE OF NORTH CAROLINA
 DEPARTMENT OF TRANSPORTATION
 RALEIGH

GENERAL DRAWING
 FOR BRIDGE ON US 264
 OVER KITTY CREEK
 BETWEEN SR 1315 AND
 SR 1355



REVISIONS						SHEET NO.
NO.	BY:	DATE:	NO.	BY:	DATE:	S-34
1			3			TOTAL SHEETS
2			4			76

DRAWN BY : MIKE BRITT DATE : 9-4-03
 CHECKED BY : S. B. WILLIAMS DATE : 9-9-03