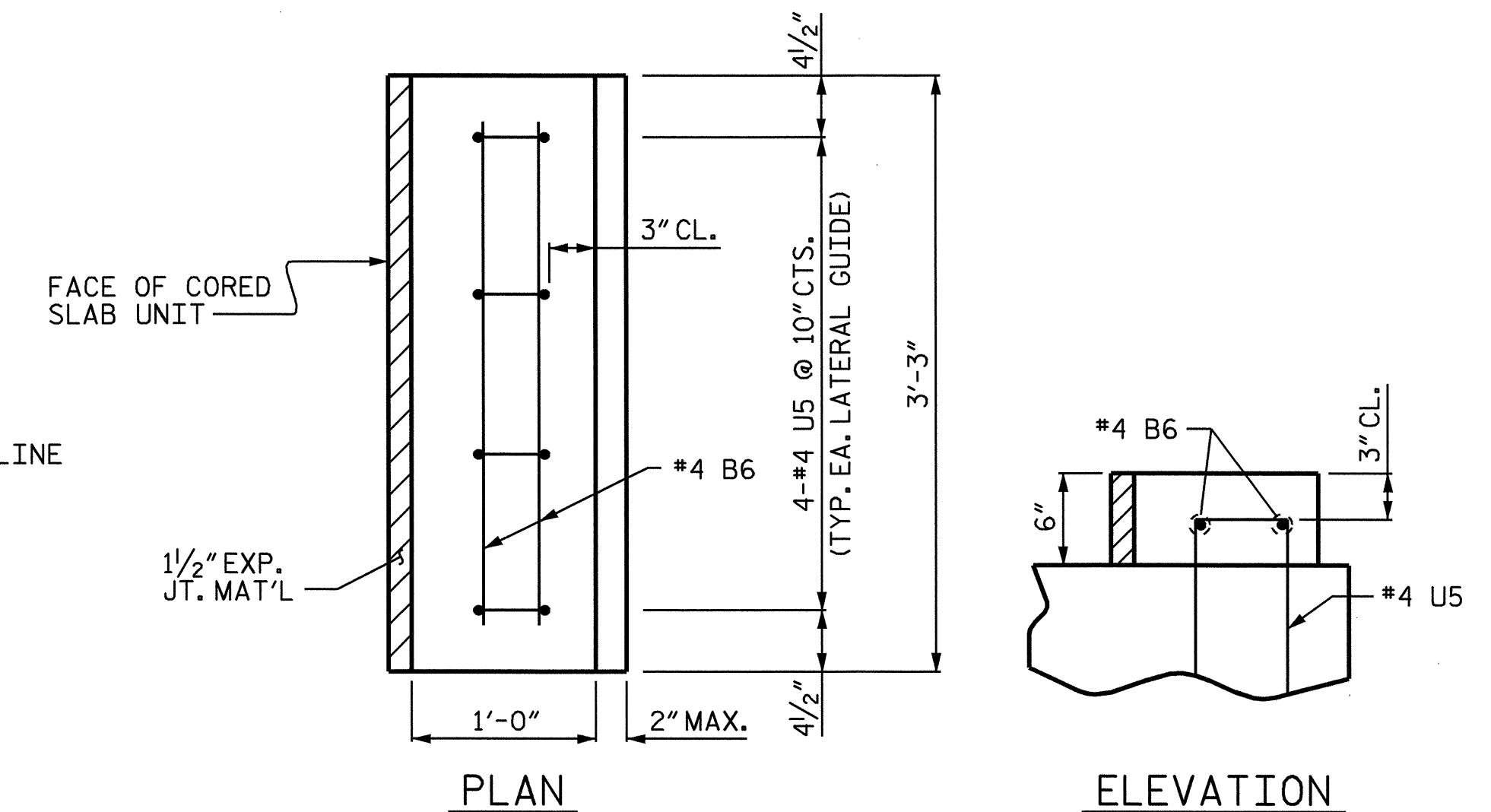
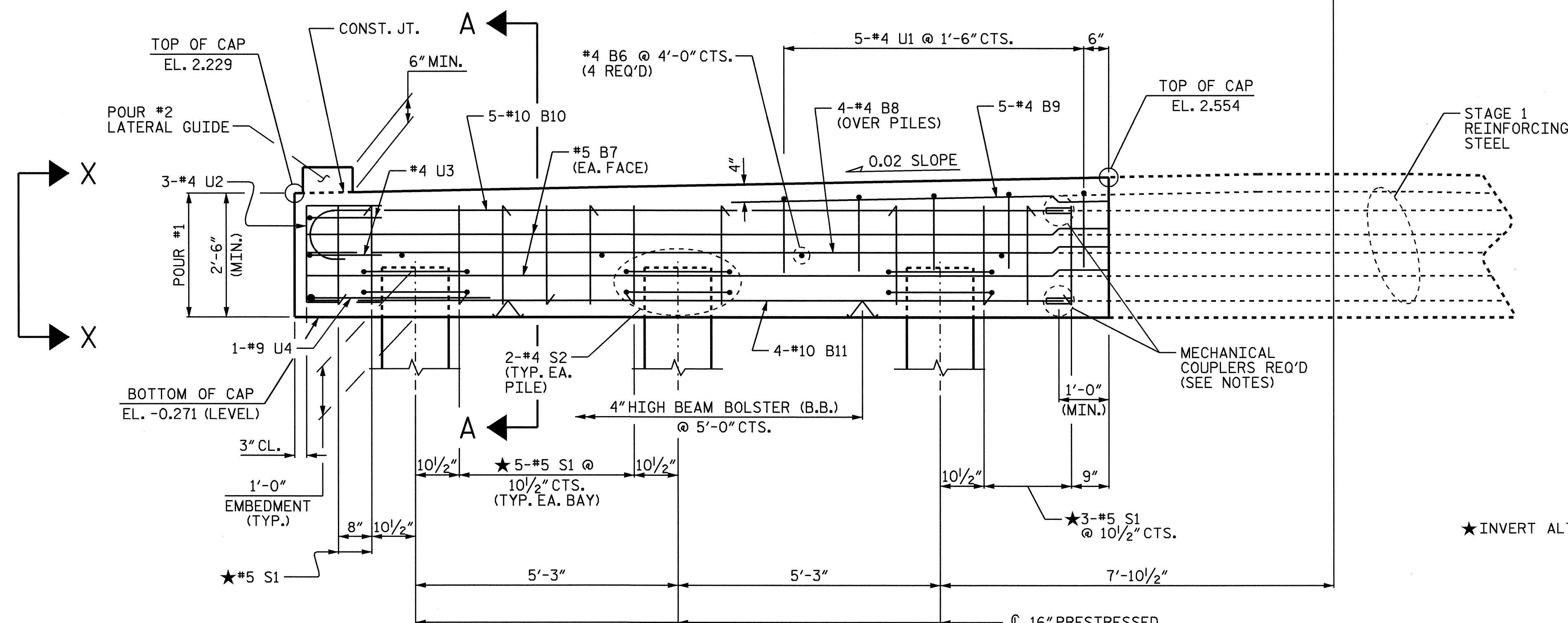


PLAN (STAGE 2)



LATERAL GUIDE DETAIL

(STAGE 1 SHOWN, STAGE 2 SIMILAR)



ELEVATION (STAGE 2)

\*INVERT ALTERNATE STIRRUPS AS SHOWN.

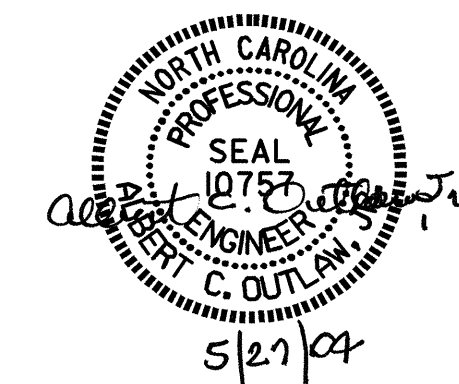
PROJECT NO. B-3348  
 HYDE COUNTY  
 STATION: 22+85.00 -L-

SHEET 2 OF 3

STATE OF NORTH CAROLINA  
 DEPARTMENT OF TRANSPORTATION  
 RALEIGH

SUBSTRUCTURE  
 BENT No. 1  
 STAGE 2

REVISIONS						SHEET NO.	
NO.	BY:	DATE:	NO.	BY:	DATE:	S-55	
1			3			TOTAL SHEETS 76	
2			4				



DRAWN BY: P.C. BREWER DATE: 3/8/04  
 CHECKED BY: M. BRITT DATE: 4/20/04

27-MAY-2004 09:15  
 W:\squad\b3348\str2\pbrewer\Mlorostation\B3348\_sd.B1.02.dgn  
 pbrewer