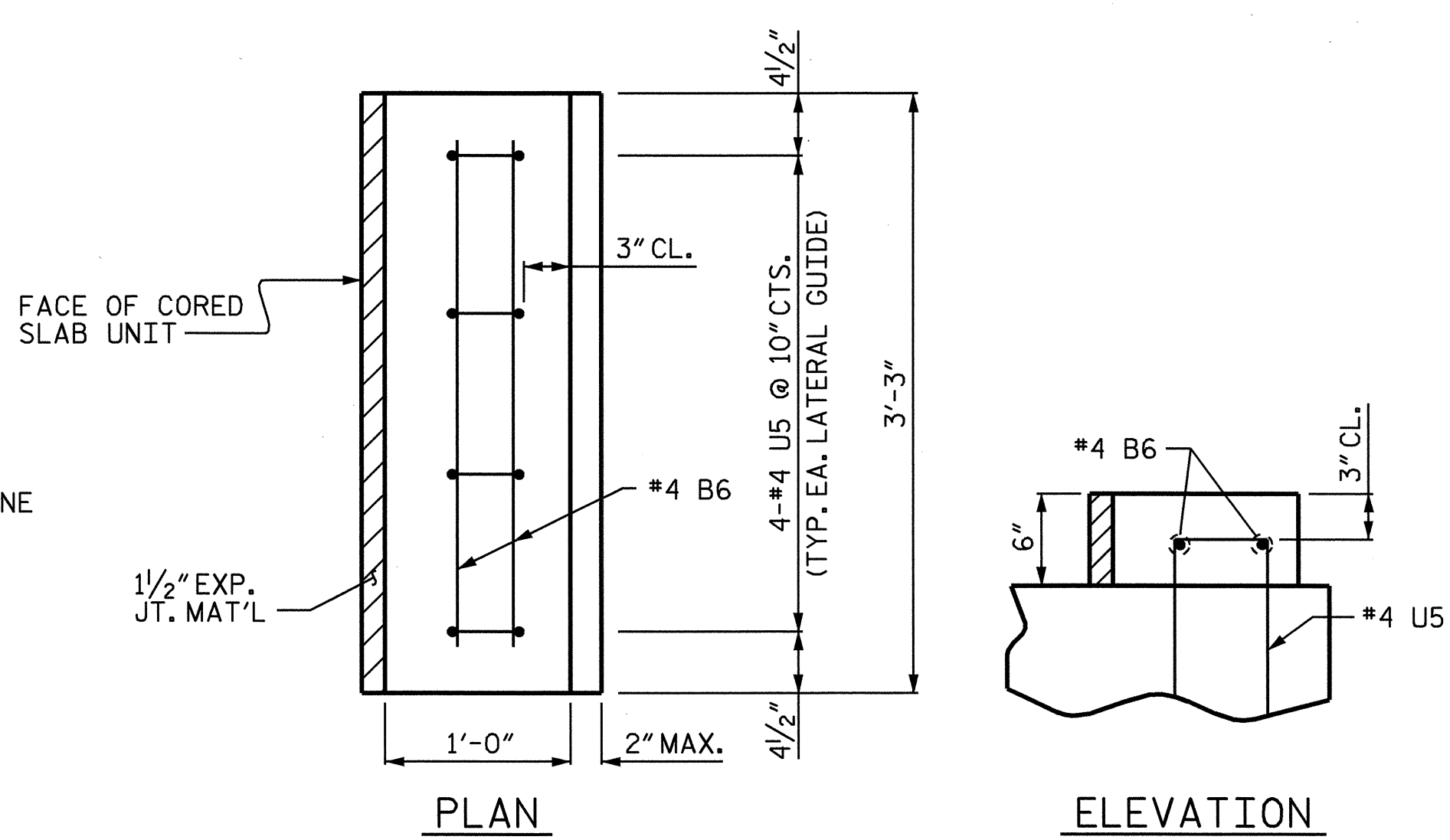
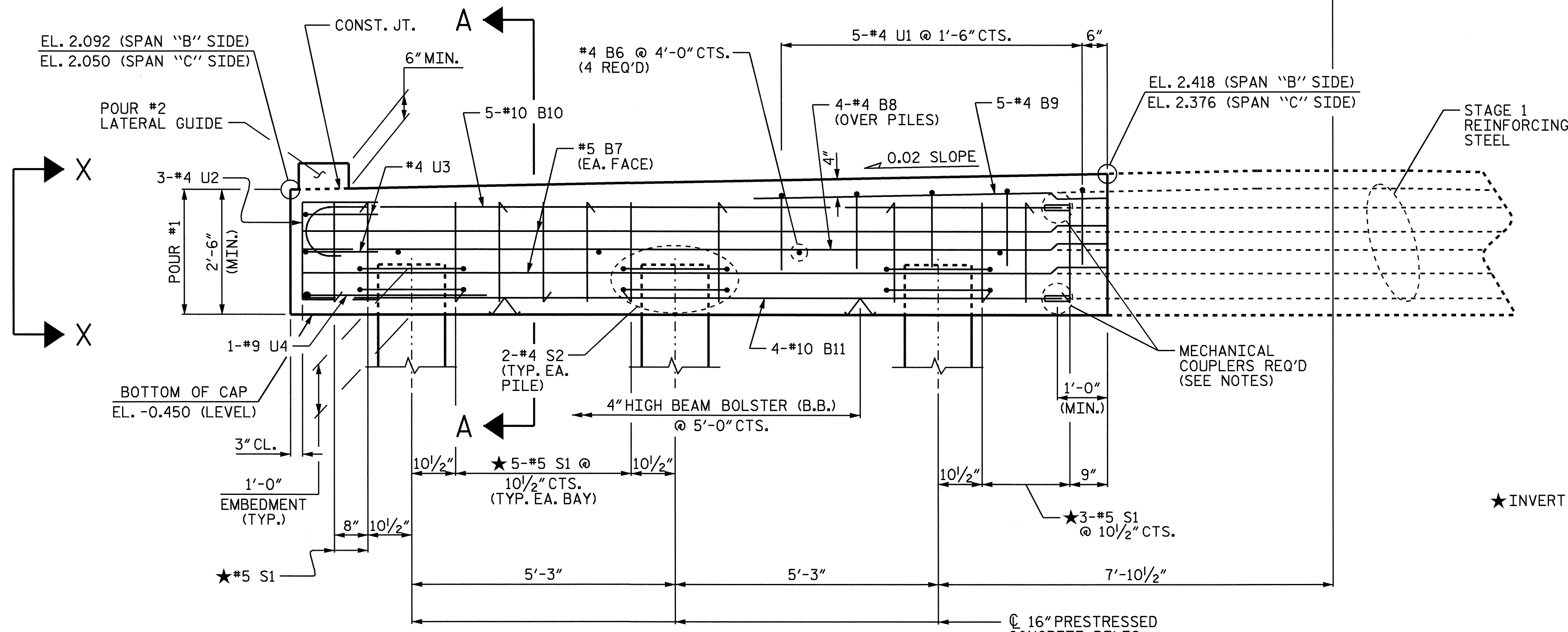


PLAN (STAGE 2)



LATERAL GUIDE DETAIL

(STAGE 1 SHOWN, STAGE 2 SIMILAR)

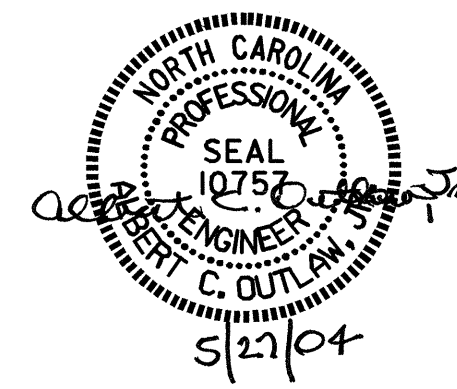


ELEVATION (STAGE 2)

★ INVERT ALTERNATE STIRRUPS AS SHOWN.

PROJECT NO. B-3348
 HYDE COUNTY
 STATION: 22+85.00 -L-
 SHEET 2 OF 3

STATE OF NORTH CAROLINA DEPARTMENT OF TRANSPORTATION RALEIGH					
SUBSTRUCTURE BENT No. 2 STAGE 2					
REVISIONS					
NO.	BY:	DATE:	NO.	BY:	DATE:
1			3		
2			4		
SHEET NO. S-58					TOTAL SHEETS 76



DRAWN BY: P.C. BREWER DATE: 3/9/04
 CHECKED BY: M. BRITT DATE: 4/22/04

27-MAY-2004 09:15
 W:\sqdvd\B3348\str2\pbrewer\Microstation\B3348.sd.B2.02.dgn
 pbrewer