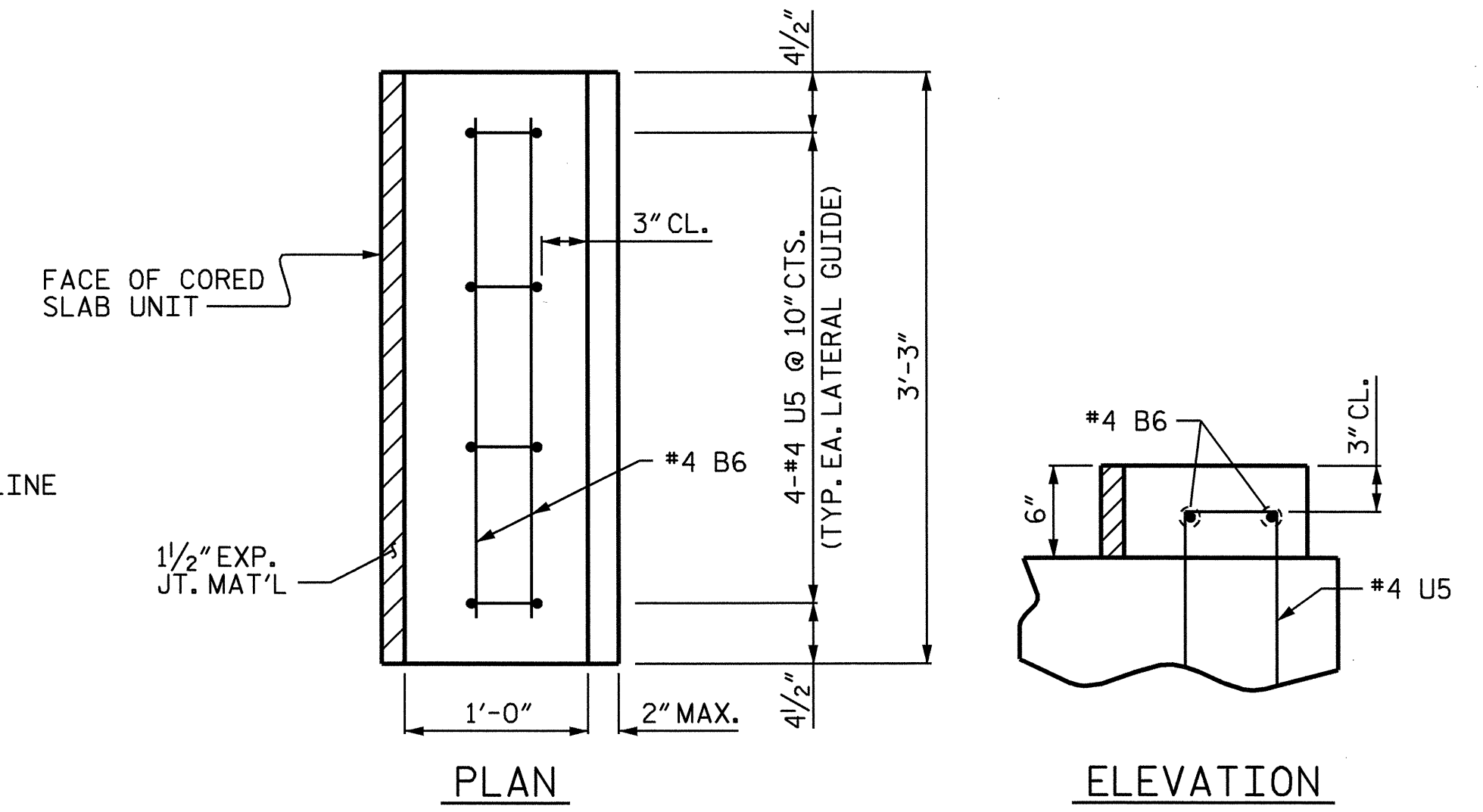
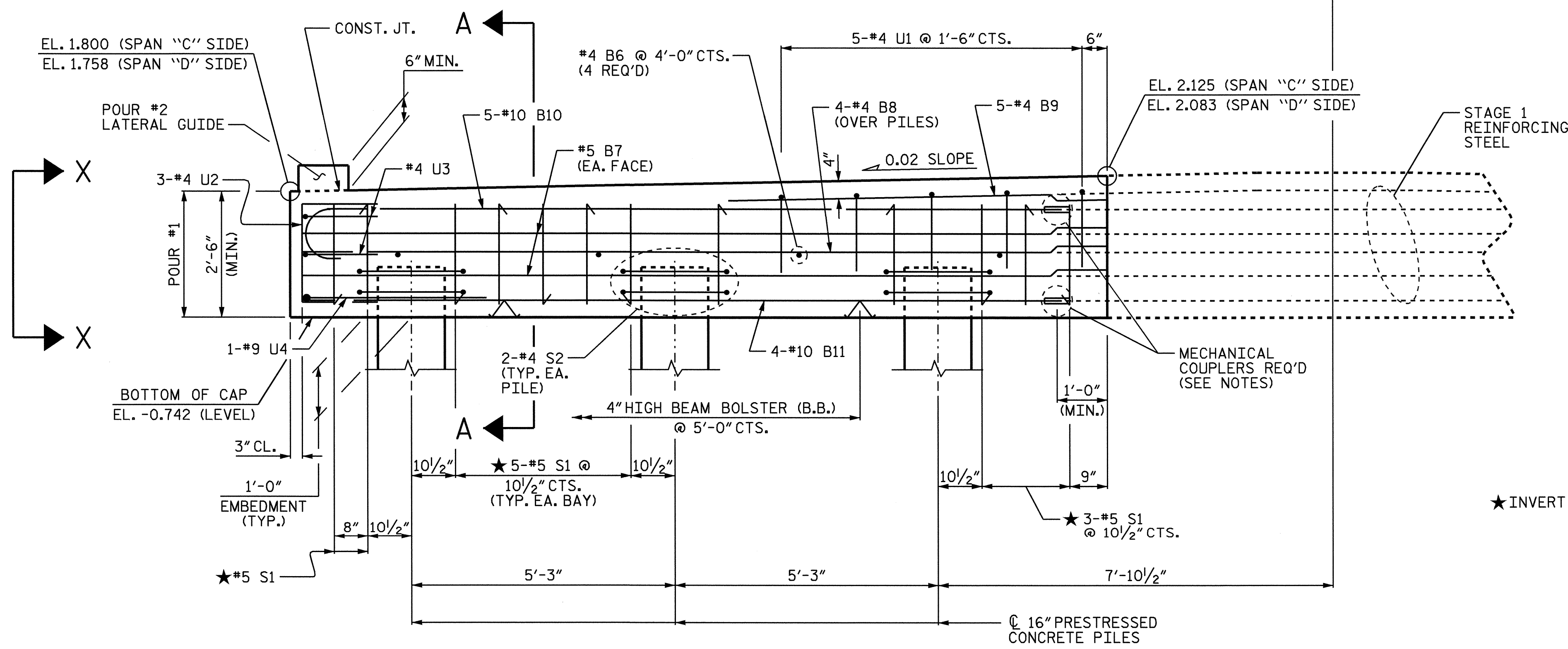


PLAN (STAGE 2)



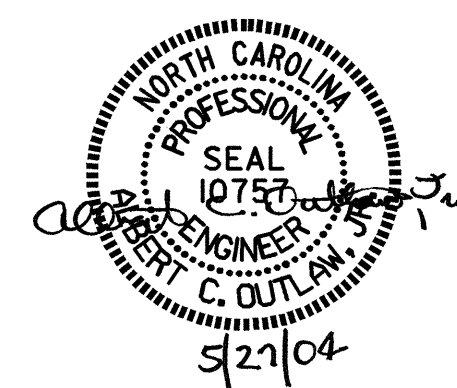
LATERAL GUIDE DETAIL



ELEVATION (STAGE 2)

PROJECT NO. B-3348
HYDE COUNTY
 STATION: 22+85.00 -L-

SHEET 2 OF 3
 STATE OF NORTH CAROLINA
 DEPARTMENT OF TRANSPORTATION
 RALEIGH
 SUBSTRUCTURE
 BENT No. 3
 STAGE 2



REVISIONS						SHEET NO.
NO.	BY:	DATE:	NO.	BY:	DATE:	S-61
1			3			TOTAL SHEETS
2			4			76

DRAWN BY : P.C. BREWER DATE : 3/9/04
 CHECKED BY : M. BRITT DATE : 4/23/04