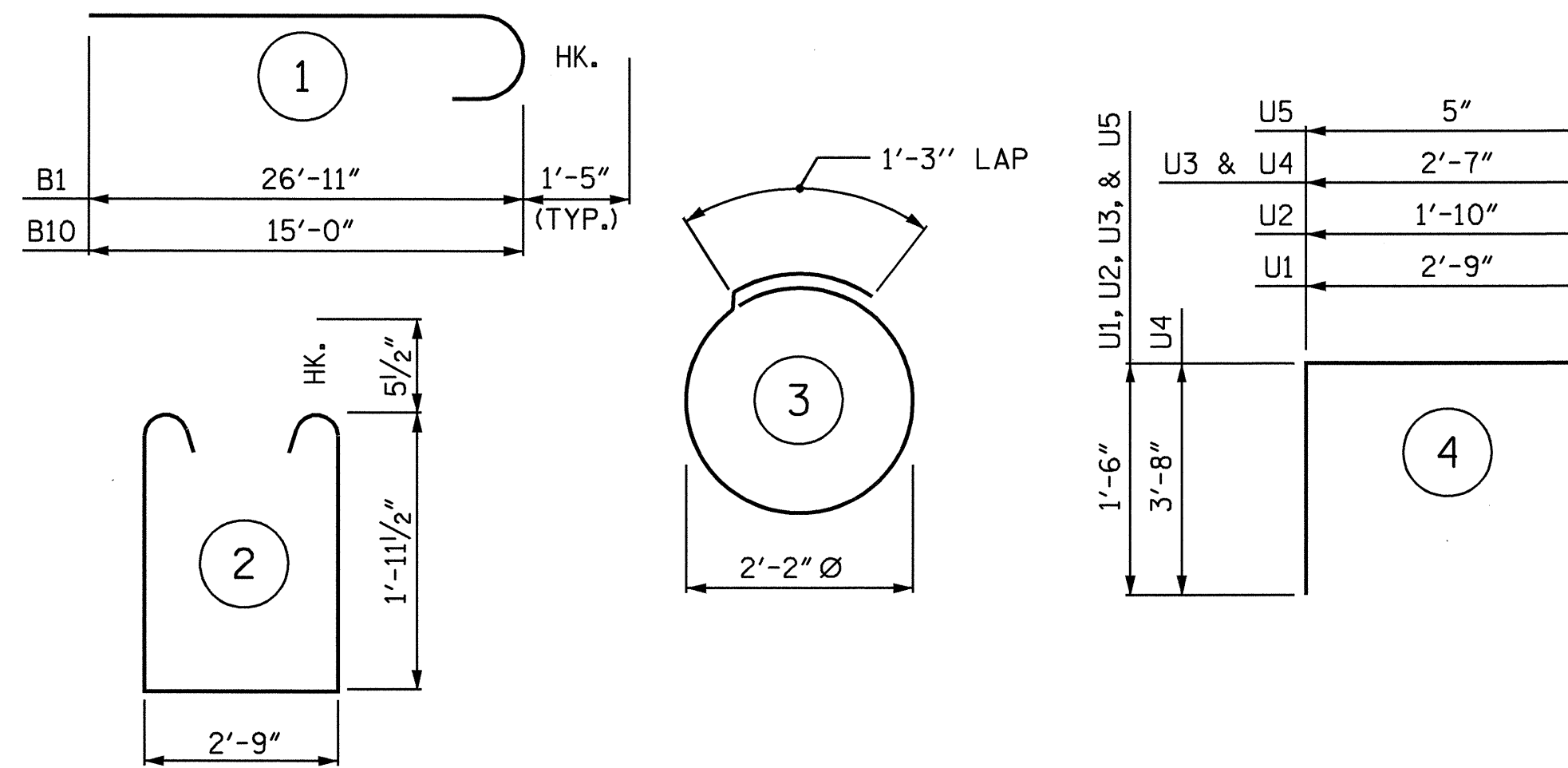


BAR TYPES



ALL BAR DIMENSIONS ARE OUT TO OUT.

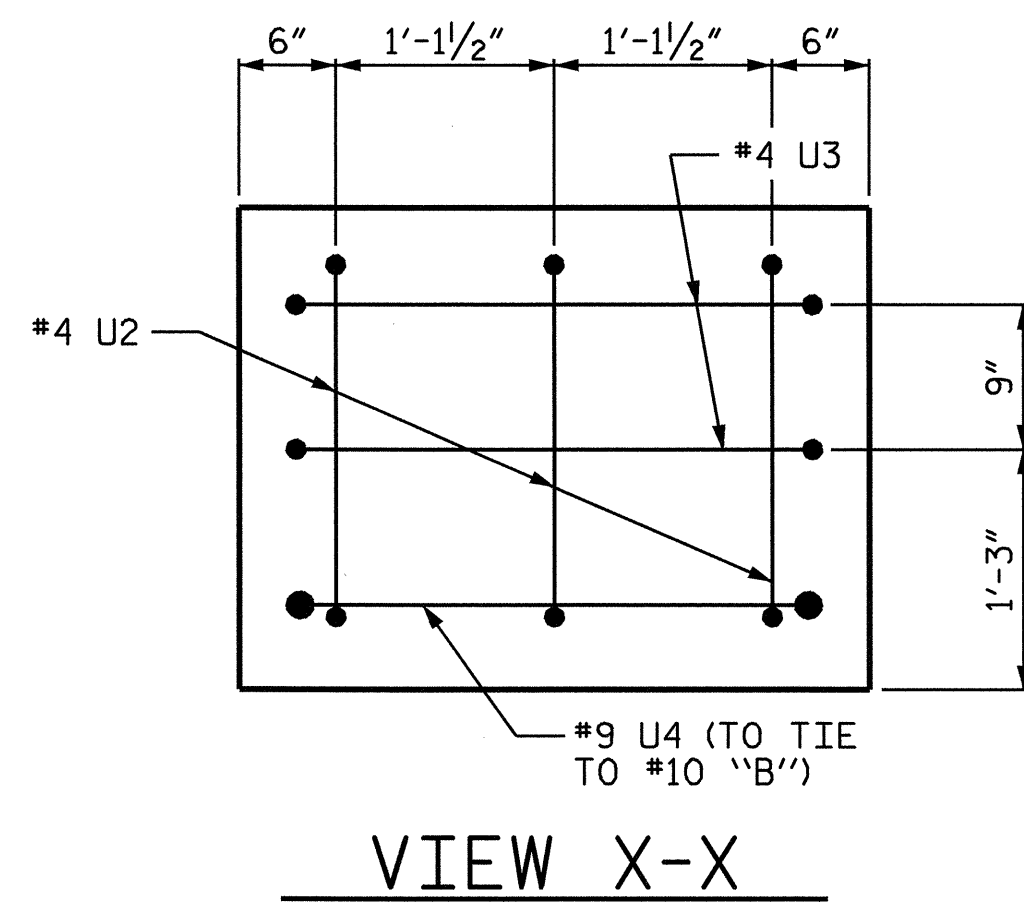
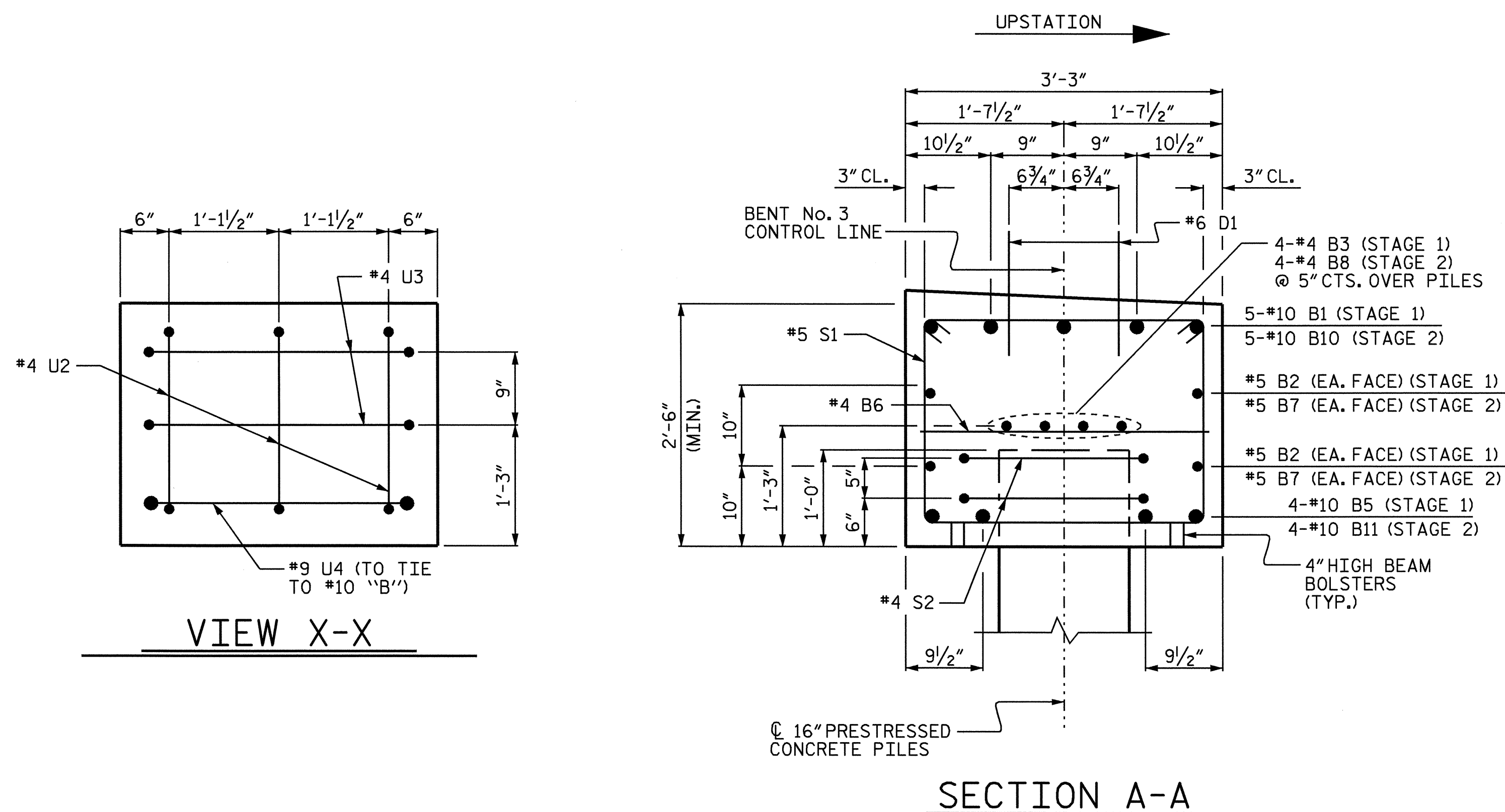
BILL OF MATERIAL

BENT No. 3

STAGE 1						STAGE 2					
BAR	No.	SIZE	TYPE	LENGTH	WEIGHT	BAR	No.	SIZE	TYPE	LENGTH	WEIGHT
B1	5	10	1	28'-4"	610	B6	6	4	STR	2'-9"	11
B2	4	5	STR	26'-0"	108	B7	4	5	STR	15'-11"	66
B3	4	4	STR	26'-0"	69	B8	4	4	STR	15'-11"	43
B4	5	4	STR	17'-0"	57	B9	5	4	STR	7'-6"	25
B5	4	10	STR	27'-0"	465	B10	5	10	1	16'-5"	353
B6	8	4	STR	2'-9"	15	B11	4	10	STR	15'-0"	258
D1	32	6	STR	1'-6"	72	D1	20	6	STR	1'-6"	45
S1	24	5	2	7'-7"	190	S1	15	5	2	7'-7"	119
S2	10	4	3	8'-1"	54	S2	6	4	3	8'-1"	32
U1	11	4	4	5'-9"	42	U1	5	4	4	5'-9"	19
U2	3	4	4	4'-10"	10	U2	3	4	4	4'-10"	10
U3	2	4	4	5'-7"	7	U3	2	4	4	5'-7"	7
U4	1	9	4	9'-11"	34	U4	1	9	4	9'-11"	34
U5	4	4	4	3'-5"	9	U5	4	4	4	3'-5"	9
EPOXY COATED REINFORCING STEEL 1,742 LBS.						EPOXY COATED REINFORCING STEEL 1,031 LBS.					
CLASS AA CONCRETE BREAKDOWN						CLASS AA CONCRETE BREAKDOWN					
POUR #1 CAP				8.0 C.Y.		POUR #1 CAP				5.1 C.Y.	
POUR #2 LATERAL GUIDE				0.1 C.Y.		POUR #2 LATERAL GUIDE				0.1 C.Y.	
TOTAL CLASS AA CONCRETE 8.1 C.Y.						TOTAL CLASS AA CONCRETE 5.2 C.Y.					
16" PRESTRESSED CONCRETE PILES No. = 5 LIN. FT. = 225.0						16" PRESTRESSED CONCRETE PILES No. = 3 LIN. FT. = 135.0					

TOTAL QUANTITIES (BENT No. 3)

ITEM	STAGE 1	STAGE 2	TOTAL
EPOXY COATED REINFORCING STEEL	1,742 LBS.	1,031 LBS.	2,773 LBS.
CLASS AA CONCRETE	8.1 C.Y.	5.2 C.Y.	13.3 C.Y.
16" PRESTRESSED CONCRETE PILES	No. 5 LIN. FT. 225.0	No. 3 LIN. FT. 135.0	No. 8 LIN. FT. 360.0

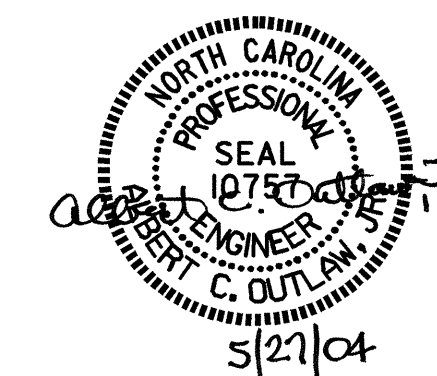


PROJECT NO. B-3348
HYDE COUNTY
STATION: 22+85.00 -L-

SHEET 3 OF 3

STATE OF NORTH CAROLINA
DEPARTMENT OF TRANSPORTATION
RALEIGH

SUBSTRUCTURE
BENT No. 3



REVISIONS						SHEET NO.	
NO.	BY:	DATE:	NO.	BY:	DATE:	S-62	
1			3			TOTAL SHEETS 76	
2			4				

DRAWN BY: P.C. BREWER DATE: 3/9/04
CHECKED BY: M. BRITT DATE: 4/26/04

27-MAY-2004 09:16
W:\squad\b3348\str2\pbrewer\Microstation\B3348.sd.B3.02.dgn
pbrewer

STR. #2