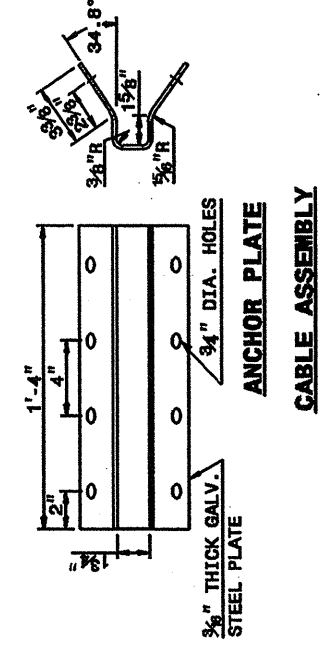
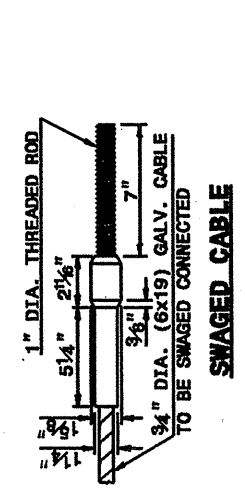
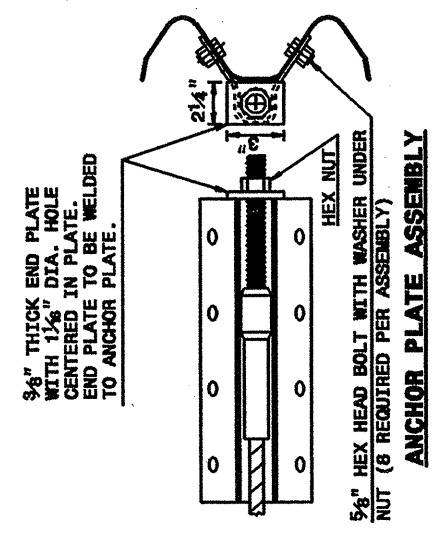
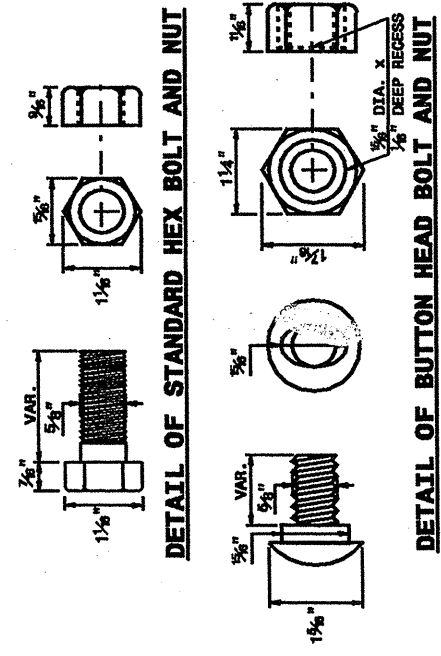
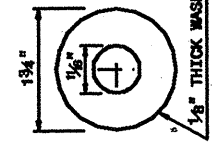
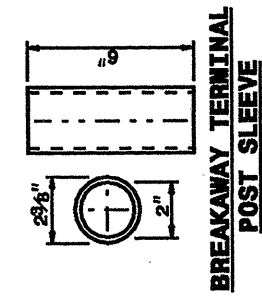


JUN-2003 10:35
 W:\Special Projects\ward\stds\02\stds to Special Details\english\862d02\862d02.dgn
 on:ward

STATE OF NORTH CAROLINA
 DEPT. OF TRANSPORTATION
 DIVISION OF HIGHWAYS
 RALEIGH, N.C.

ENGLISH DETAIL DRAWING FOR
 GUARDRAIL INSTALLATION

SHEET 5 OF 7
862D02



SYSTEM PARTS

SHEET 6 OF 7
862D02

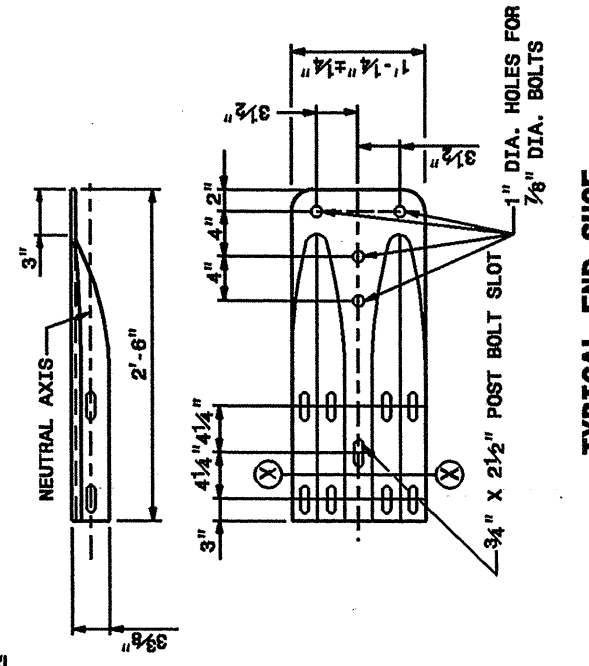
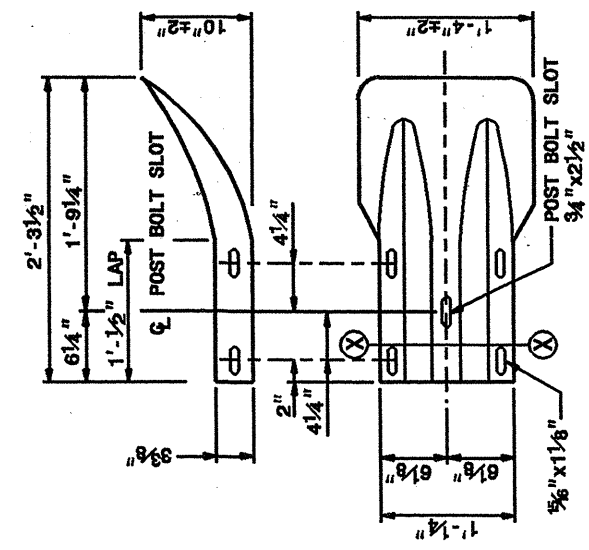
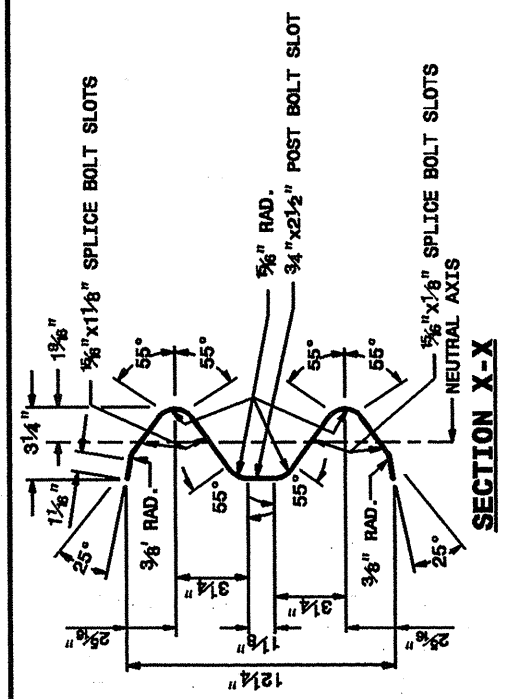
STATE OF NORTH CAROLINA
 DEPT. OF TRANSPORTATION
 DIVISION OF HIGHWAYS
 RALEIGH, N.C.

ENGLISH DETAIL DRAWING FOR
 GUARDRAIL INSTALLATION

STATE OF NORTH CAROLINA
 DEPT. OF TRANSPORTATION
 DIVISION OF HIGHWAYS
 RALEIGH, N.C.

ENGLISH DETAIL DRAWING FOR
 GUARDRAIL INSTALLATION

SHEET 6 OF 7
862D02



SYSTEM PARTS - GENERAL USE

SHEET 6 OF 7
862D02

ENGLISH DETAIL DRAWING FOR
 GUARDRAIL INSTALLATION

STATE OF NORTH CAROLINA
 DEPT. OF TRANSPORTATION
 DIVISION OF HIGHWAYS
 RALEIGH, N.C.

DESIGN SERVICES UNIT
 STANDARDS AND SPECIAL DESIGN
 Office 919-250-4128 FAX 919-250-4119

SEE PLATE FOR TITLE

ORIGINAL BY: 2002 STD.862.02 DATE:
 MODIFIED BY: E.E. WARD DATE: 02-08-09
 CHECKED BY: DATE:
 FILE SPEC.: 02/08/09