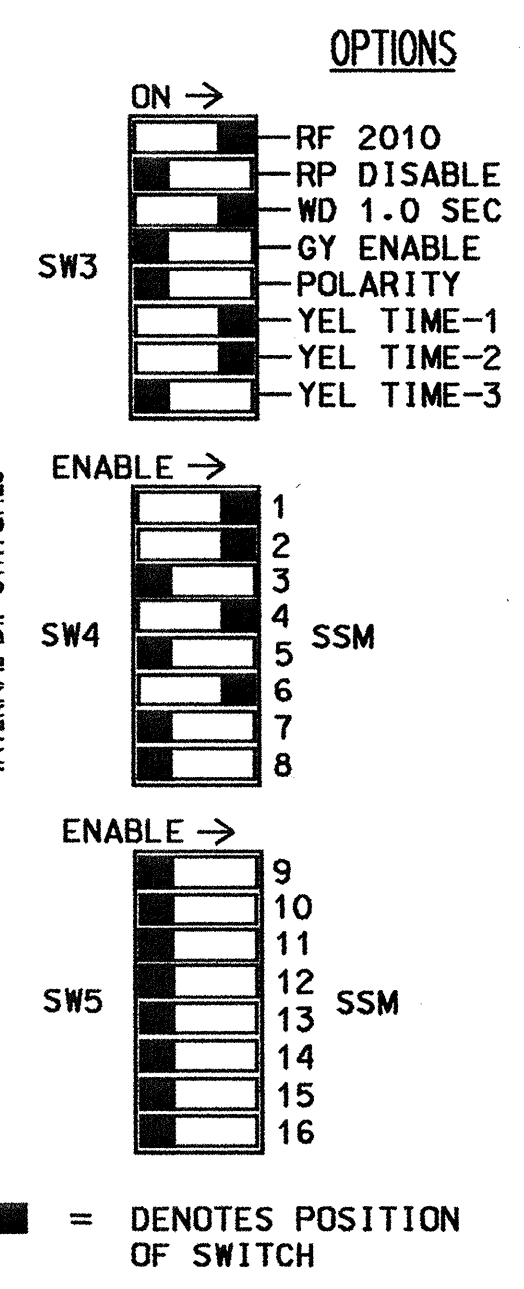
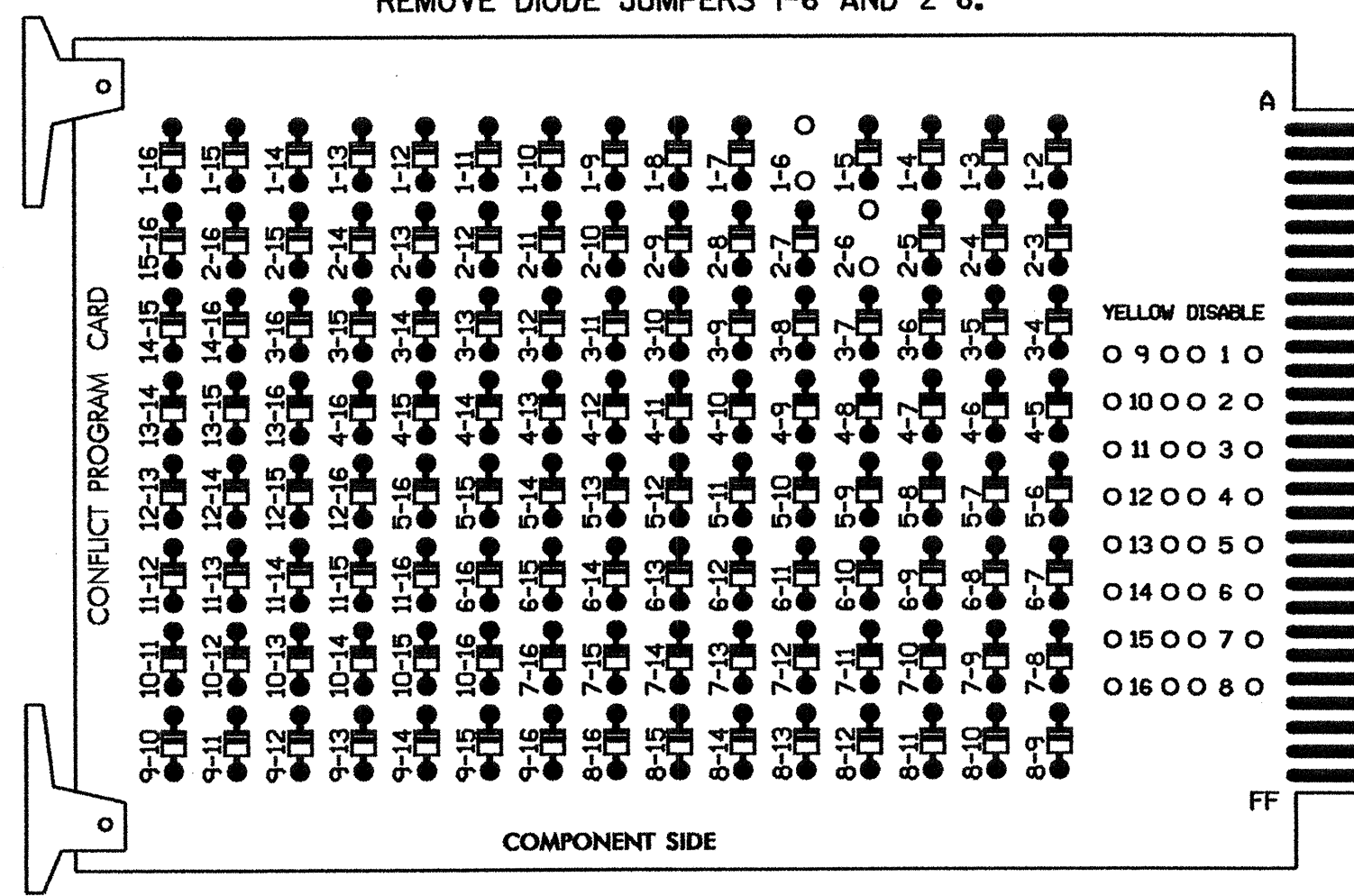
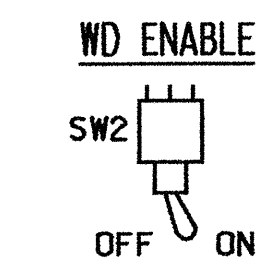


EDI MODEL 2010ECL CONFLICT MONITOR

PROGRAMMING DETAIL



NOTES:

- CARD IS PROVIDED WITH ALL DIODE JUMPERS IN PLACE. REMOVAL OF ANY JUMPER ALLOWS ITS CHANNELS TO RUN CONCURRENTLY.
- MAKE SURE JUMPERS SEL1-SEL5 ARE PRESENT ON THE MONITOR BOARD.

NOTES

- TO PREVENT "FLASH-CONFLICT" PROBLEMS, INSERT RED FLASH PROGRAM BLOCKS FOR ALL UNUSED VEHICLE LOAD SWITCHES IN THE OUTPUT FILE. THE INSTALLER SHALL VERIFY THAT SIGNAL HEADS FLASH IN ACCORDANCE WITH THE SIGNAL PLANS.
- ENSURE THAT RED ENABLE IS ACTIVE AT ALL TIMES DURING NORMAL OPERATION. TO PREVENT RED FAILURES ON UNUSED MONITOR CHANNELS, TIE UNUSED RED MONITOR INPUTS 3,5,7, 8,9,10,11,12,13,14,15 & 16 TO LOAD SWITCH AC+ PER THE CABINET MANUFACTURER'S INSTRUCTIONS.
- PROGRAM CONTROLLER TO START UP IN PHASES 2 AND 6 GREEN.
- ENABLE SIMULTANEOUS GAP-OUT FEATURE, ON CONTROLLER UNIT, FOR ALL PHASES.

EQUIPMENT INFORMATION

CONTROLLER.....CONTRACTOR SUPPLIED 2070L
 CABINETCONTRACTOR SUPPLIED 336
 SOFTWAREECONOLITE OASIS
 CABINET MOUNT.....POLE
 OUTPUT FILE POSITIONS...12
 LOAD SWITCHES USED.....S1,S2,S4,S6
 PHASES USED.....1,2,4,6
 OVERLAPS.....NONE

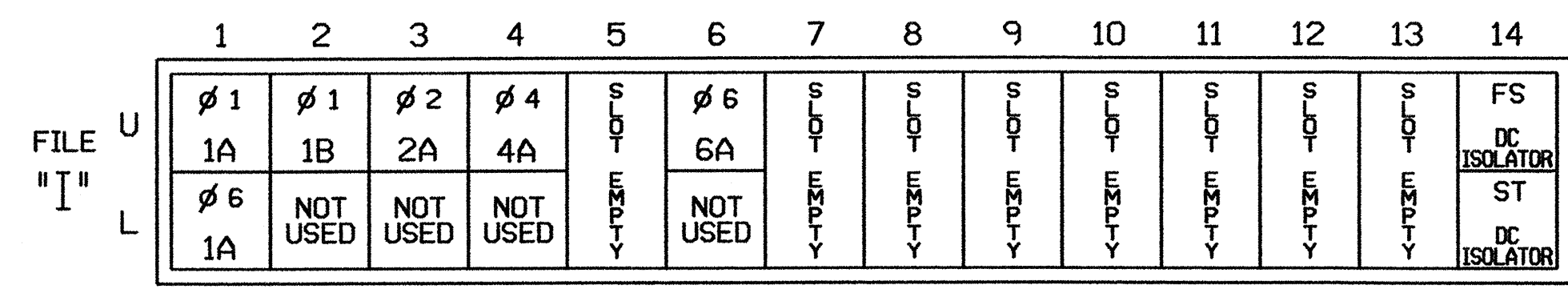
FIELD CONNECTION HOOK-UP CHART

LOAD SWITCH NO.	S1	S2	S2P	S3	S4	S4P	S5	S6	S6P	S7	S8	S8P
PHASE	1	2	2 PED	3	4	4 PED	5	6	6 PED	7	8	8 PED
SIGNAL HEAD NO.	42,61	21, 22,23	NU	NU	41,42	NU	NU	61,62	NU	NU	NU	NU
GREEN		130			103			136				
YELLOW		129			102			135				
RED	*	128			101			134				
RED ARROW												
YELLOW ARROW	126											
GREEN ARROW	127											

NU = NOT USED
 * DENOTES INSTALL LOAD RESISTOR. SEE LOAD RESISTOR INSTALLATION DETAIL THIS PAGE.

INPUT FILE POSITION LAYOUT

(front view)



EX. : 1A, 2A, ETC. = LOOP NO.'S

FS = FLASH SENSE
 ST = STOP TIME

INPUT FILE CONNECTION & PROGRAMMING CHART

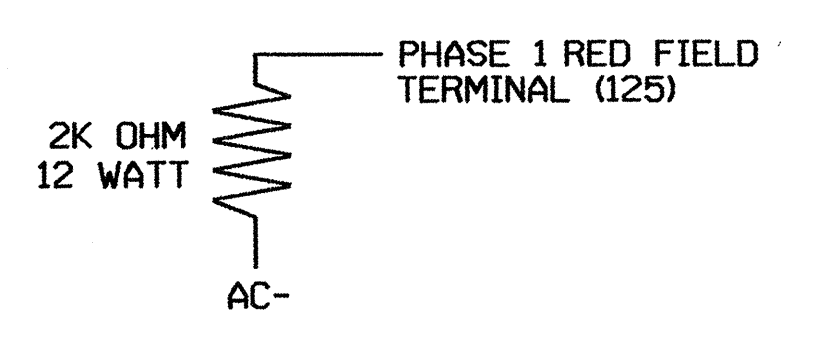
LOOP NO.	LOOP TERMINAL	INPUT FILE POS.	PIN NO.	INPUT ASSIGNMENT NO.	DETECTOR NO.	NEMA PHASE	CALL	EXTEND	FULL TIME DELAY	STRETCH TIME	DELAY TIME
1A ¹	TB21-1,2	I1U	56	18	1	1	Y	Y			
	TB23-1,2	I1L	47	9	22	6	Y	Y			
1B	TB21-3,4	I2U	39	1	2	1	Y	Y			
2A	TB21-5,6	I3U	58	20	3	2	Y	Y			
4A	TB21-7,8	I4U	41	3	4	4	Y	Y			5
6A	TB21-11,12	I6U	40	2	6	6	Y	Y			5

¹ ADD JUMPERS FROM TB21-1 TO TB23-1, AND FROM TB21-2 TO TB23-2.

INPUT FILE POSITION LEGEND: I2L



LOAD RESISTOR INSTALLATION DETAIL



NOTE: THE PURPOSE OF THIS RESISTOR IS TO LOAD THE CHANNEL RED MONITOR INPUT IN ORDER FOR THE SIGNAL SEQUENCE MONITOR TO USE THE FULL SIGNAL SEQUENCE MONITORING CAPABILITY ON CHANNELS THAT DO NOT USE THE RED DISPLAY IN THE FIELD.

THIS ELECTRICAL DETAIL IS FOR THE SIGNAL DESIGN: 14-1162
 DESIGNED: JANUARY 2004
 SEALED: 2/23/04
 REVISED:

NEW INSTALLATION - TEMPORARY SIGNAL

Electrical and Programming Details For:

W. ALLEN STREET AT LILY POND ROAD

Prepared in the Office of:

122 N. McDowell St., Raleigh, NC 27603

DIVISION 14 HENDERSON COUNTY HENDERSONVILLE

PLAN DATE: FEBRUARY 2004 REVIEWED BY: *R. Hirston*

PREPARED BY: WILLIAM HAIRSTON REVIEWED BY:

REVISIONS: _____ INIT. DATE

Signature: *George C. Brown* 2/23/04

SEAL: NORTH CAROLINA PROFESSIONAL ENGINEER SEAL 022013 GEORGE C. BROWN

SIG. INVENTORY NO. 14-1162