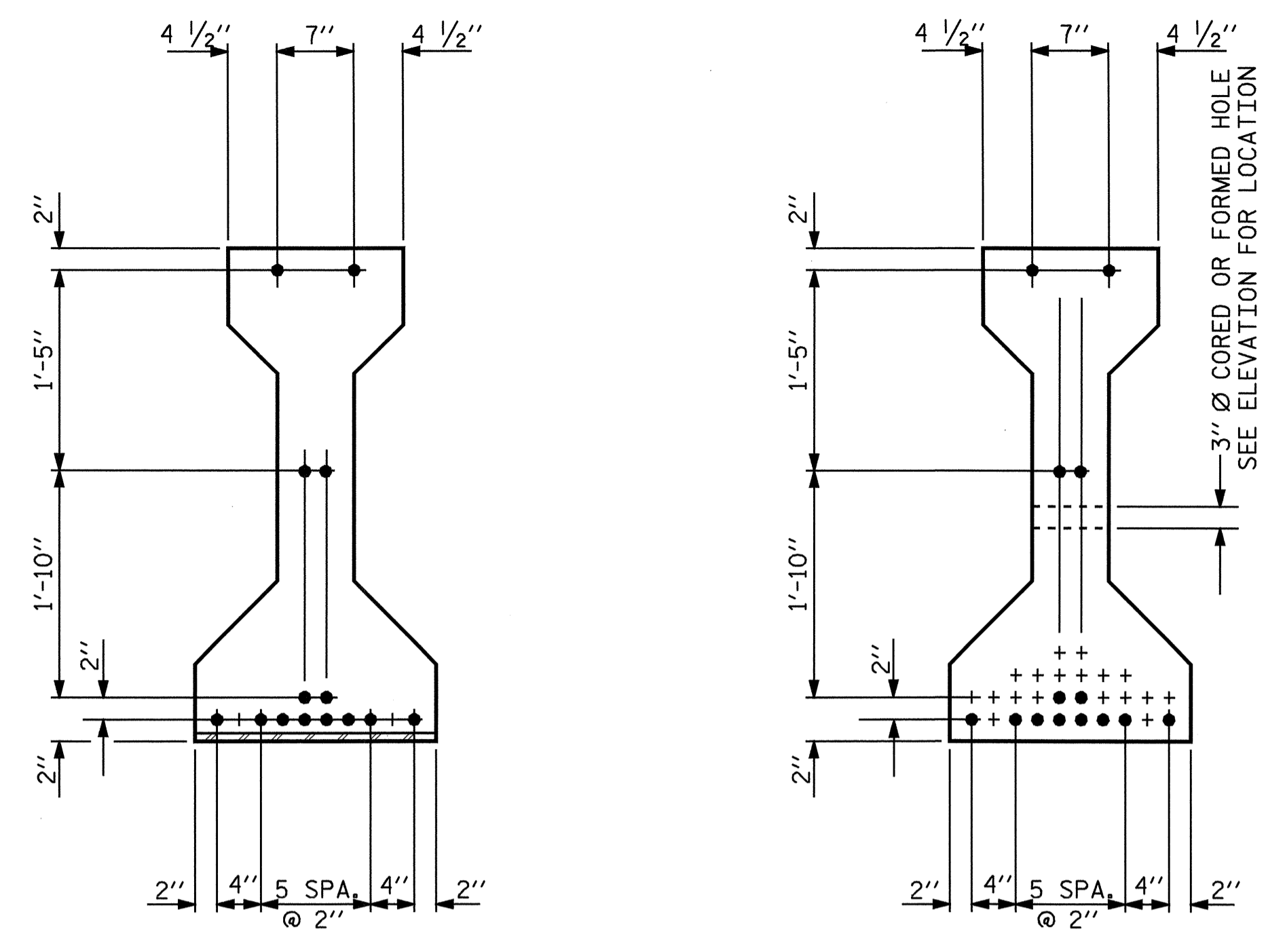


SECTION A-A

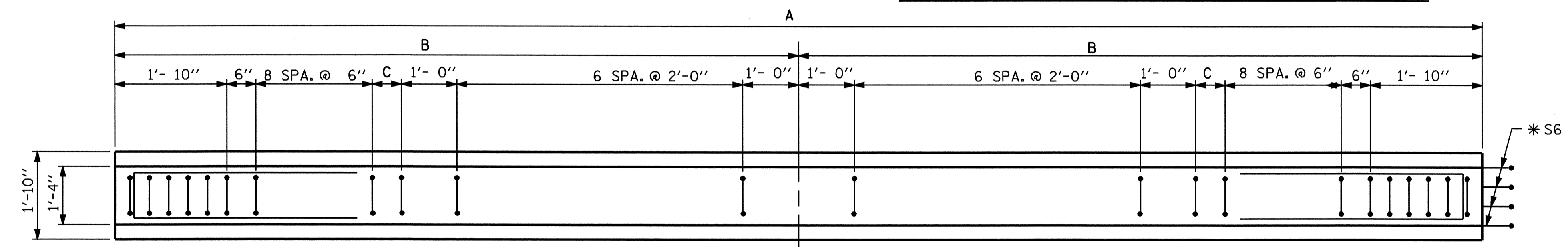
SECTION B-B



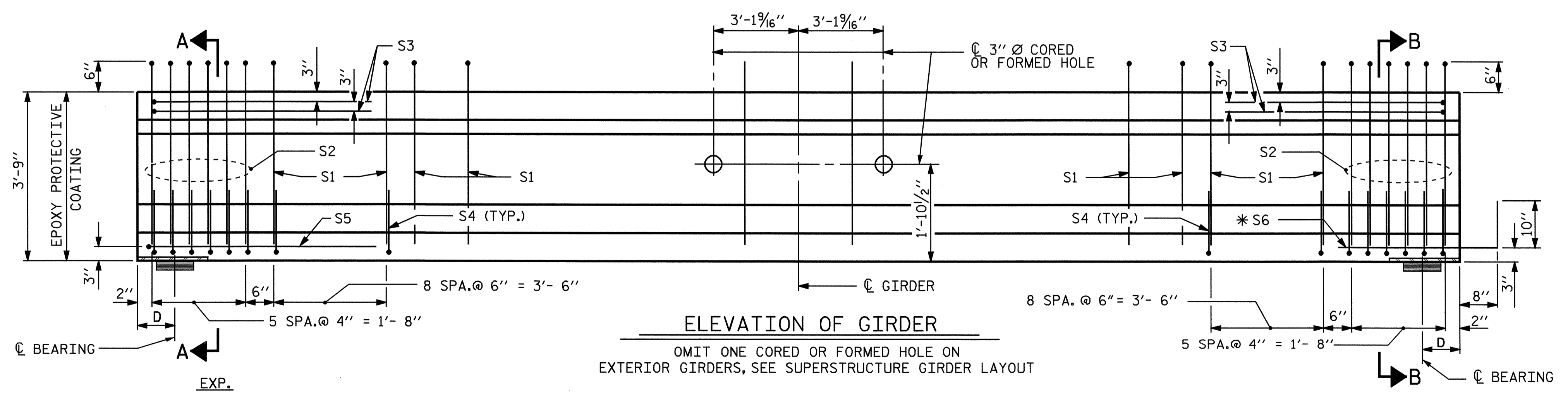
AT END OF GIRDER

AT C OF GIRDER

1/2" Ø LOW RELAXATION STRAND LAYOUT



PLAN OF GIRDER



ELEVATION OF GIRDER

OMIT ONE CORED OR FORMED HOLE ON EXTERIOR GIRDERS, SEE SUPERSTRUCTURE GIRDER LAYOUT

GIRDER DIMENSIONS				
GIRDER	A	B	C	D
A1	42'-5"	21'-2 1/2"	10 1/2"	8 5/8"
A2	42'-5"	21'-2 1/2"	10 1/2"	7 7/8"
A3	42'-8"	21'-4"	1'-0"	8 1/4"
A4	42'-8"	21'-4"	1'-0"	7 13/16"

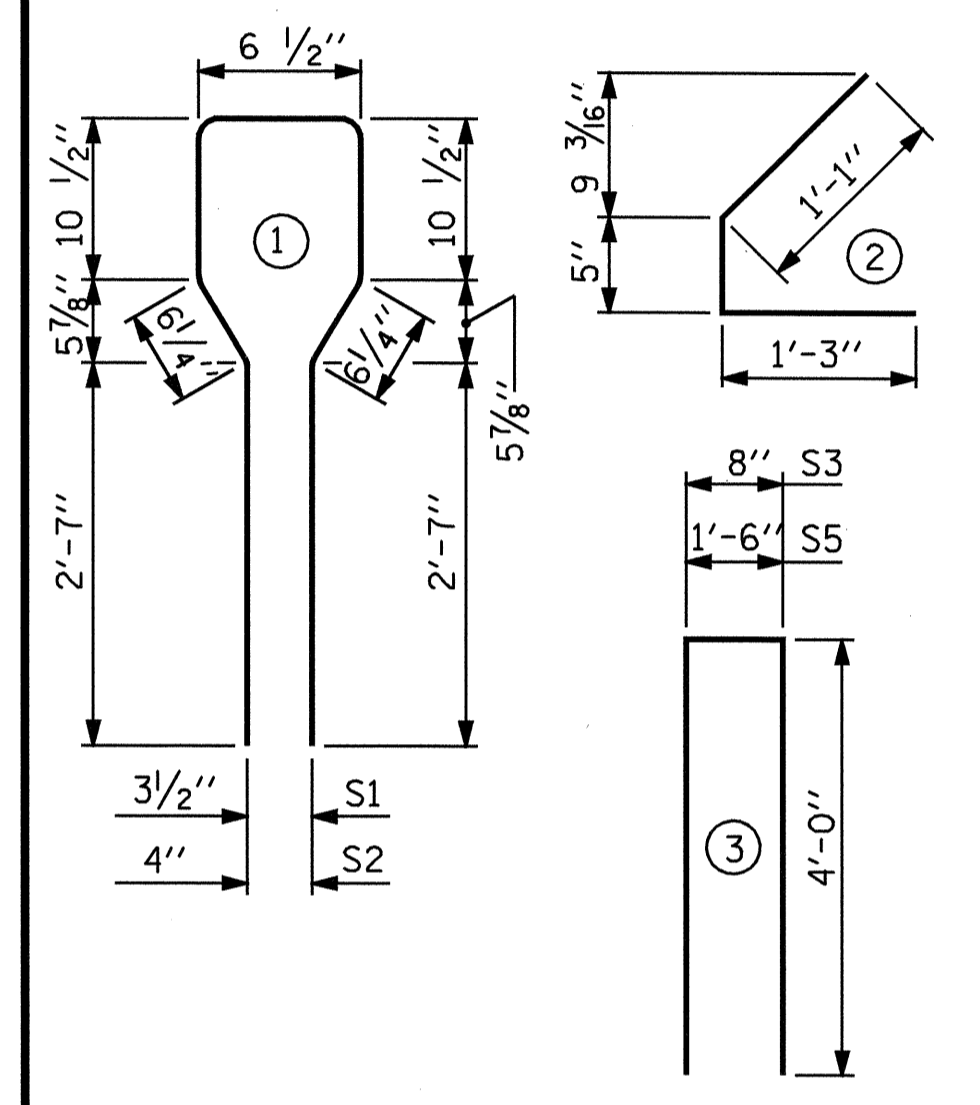
1/2" Ø L. R. GRADE 270 STRANDS		
AREA (SQUARE INCHES)	ULTIMATE STRENGTH (LBS. PER STRAND)	APPLIED PRESTRESS (LBS. PER STRAND)
0.153	41,300	30,980

REINFORCING STEEL FOR ONE GIRDER					
BAR	NUMBER	SIZE	TYPE	LENGTH	WEIGHT
S1	34	#4	1	8'-6"	193
S2	12	#6	1	8'-6"	153
S3	4	#4	3	8'-8"	23
S4	60	#4	2	2'-9"	110
S5	1	#4	3	9'-6"	6
*S6	4	#5	STR	3'-8"	15

* NOTE: S6 BARS SHALL BE BENT BEFORE SHIPMENT. HEAT BENDING SHALL NOT BE ALLOWED.

BAR TYPES

ALL BAR DIMENSIONS ARE OUT-TO-OUT



QUANTITIES FOR ONE GIRDER

REINFORCING STEEL	5,000 PSI CONCRETE	1/2" Ø L.R. STRANDS
LB.	C.Y.	No.
500	6.1	14

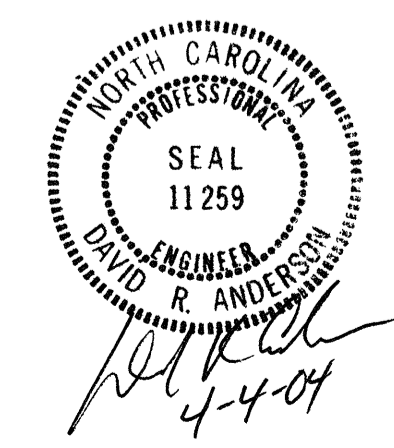
GIRDERS REQUIRED

NUMBER	LENGTH	TOTAL LENGTH
2	42'-5"	84'-10"
2	42'-8"	85'-4"

PROJECT NO. B-3649
GUILFORD COUNTY
 STATION: 17+39.20 -L

STATE OF NORTH CAROLINA
 DEPARTMENT OF TRANSPORTATION
 RALEIGH

STANDARD
 AASHTO TYPE III
 PRESTRESSED CONCRETE GIRDER
 SPAN A



REVISIONS						SHEET NO.
NO.	BY:	DATE:	NO.	BY:	DATE:	S-11
1			3			TOTAL SHEETS
2			4			32

ASSEMBLED BY : N. Q. TRAN DATE : 4-14-03
 CHECKED BY : T. A. WALTER DATE : 9-30-03
 DRAWN BY : ELR 8/91 REV. 2/6/97 EEM/RGW
 CHECKED BY : GRP 8/91 REV. 7/17/98 RWW/LES
 REV. 10/17/00 RWW/LES