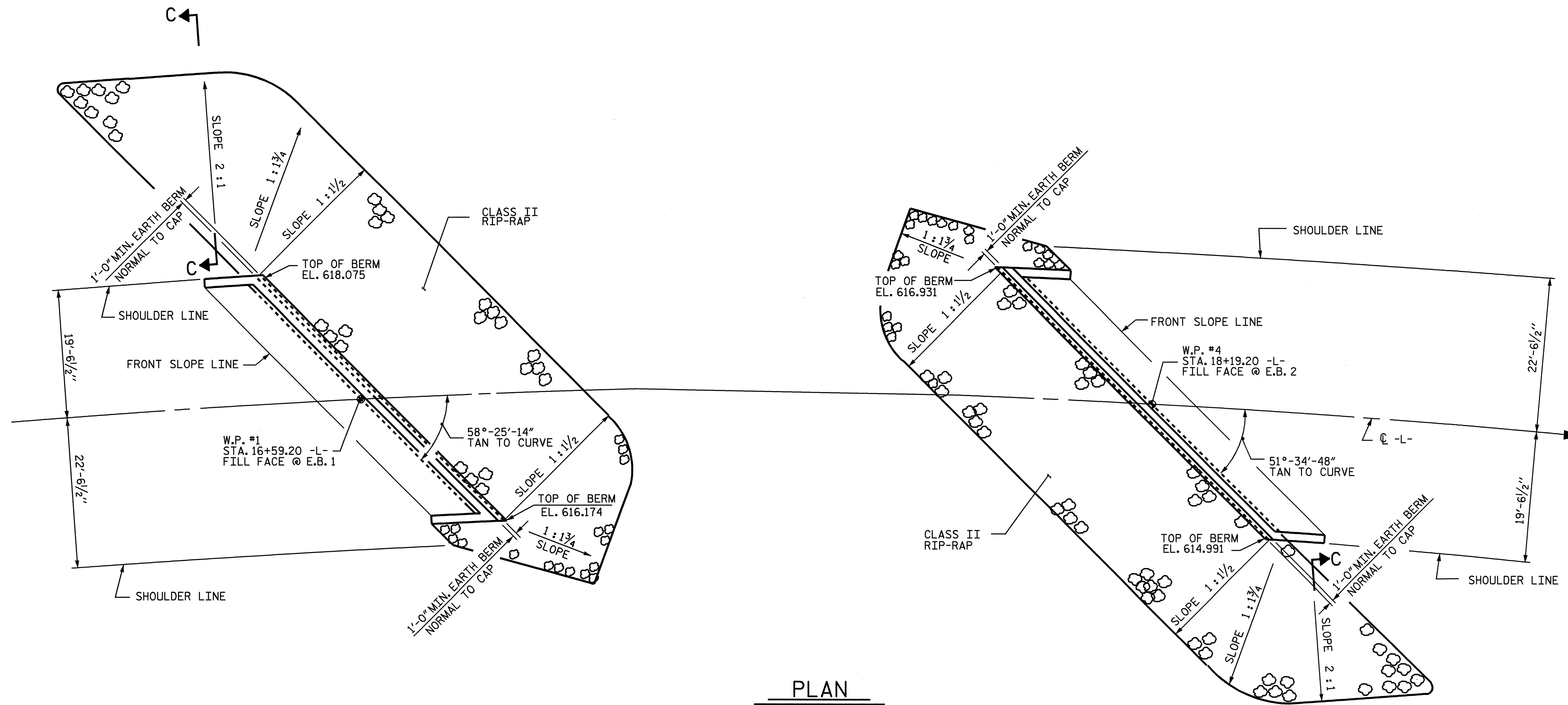
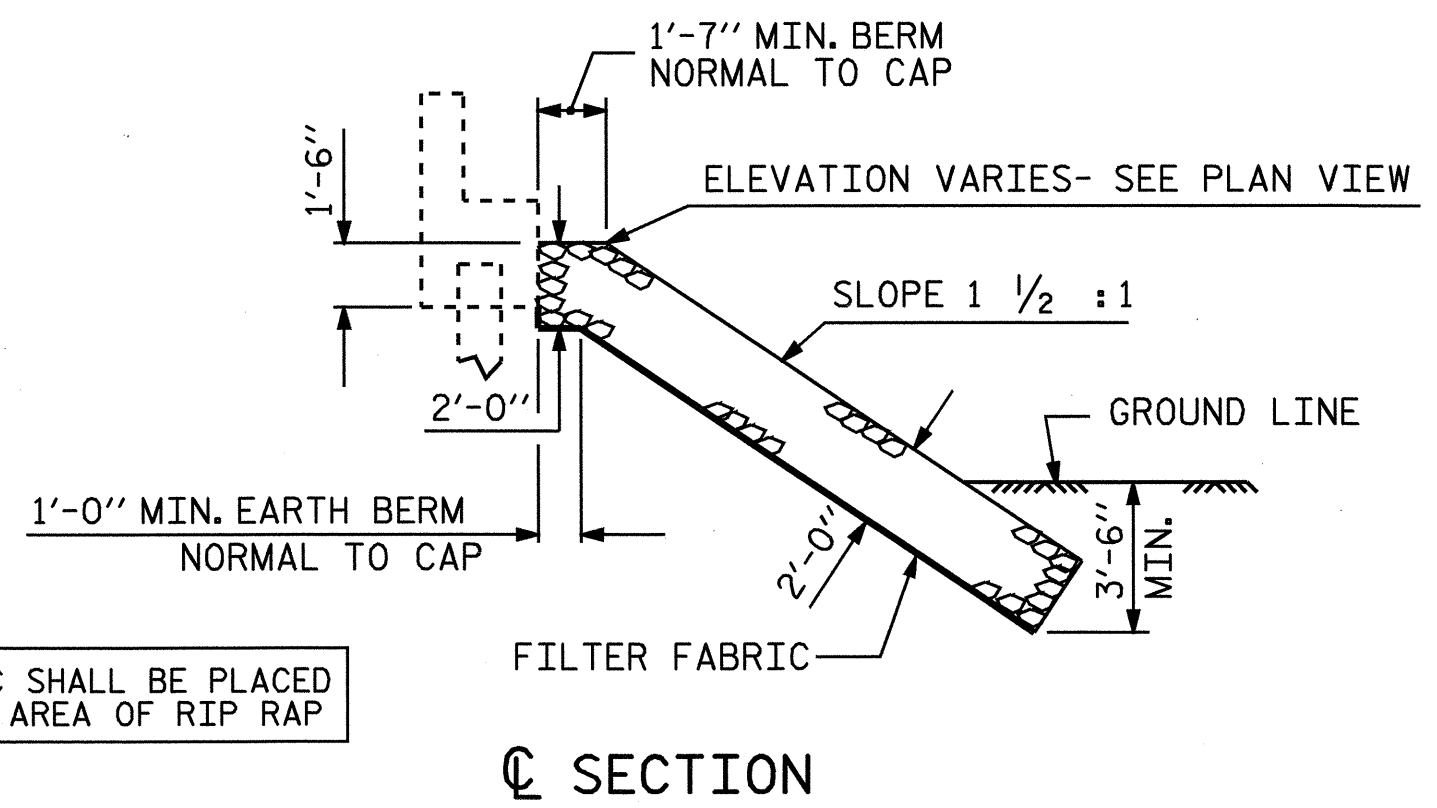


NOTES :
FOR BERM WIDTH DIMENSIONS, SEE GENERAL DRAWING.



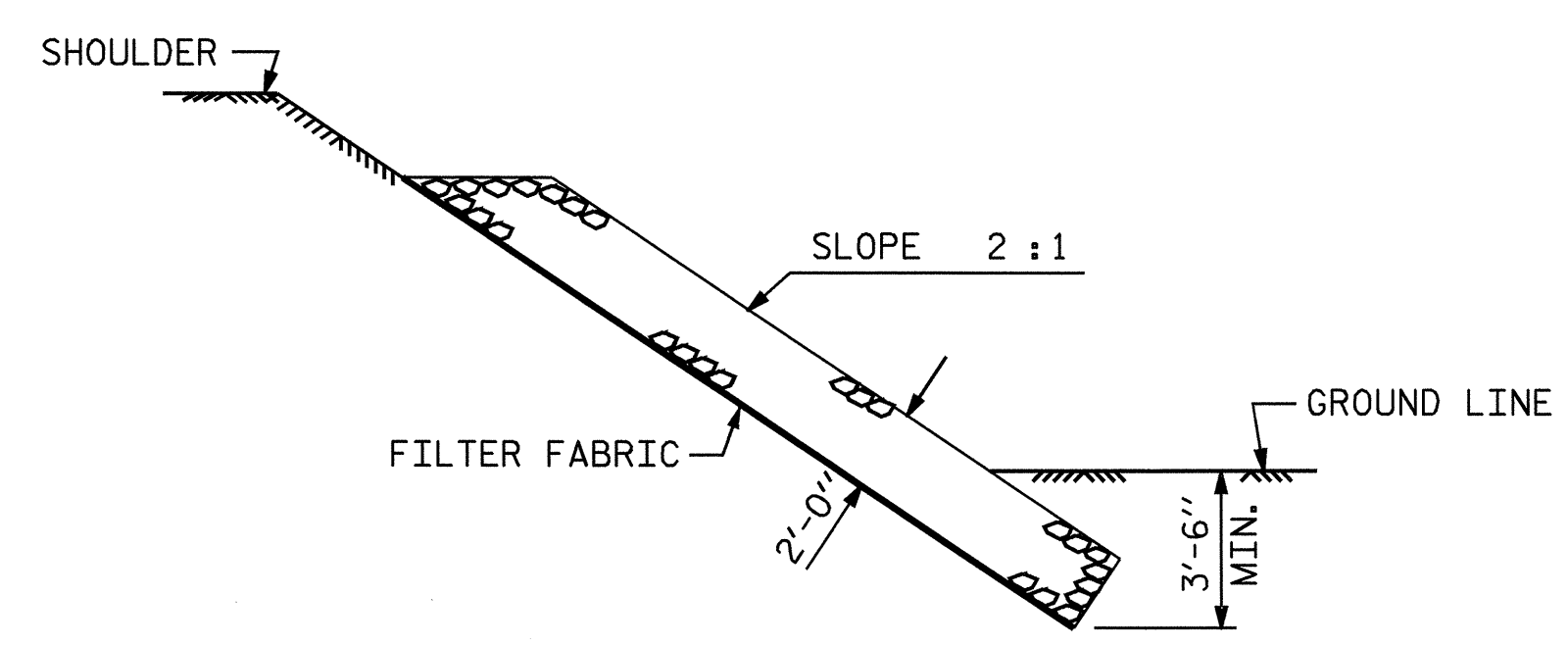
PLAN

ESTIMATED QUANTITIES		
BRIDGE @ STA. 17+39.20 -L-	PLAIN RIP RAP CLASS II	FILTER FABRIC FOR DRAINAGE
	TONS	SQUARE YARDS
END BENT 1	130	196
END BENT 2	135	204



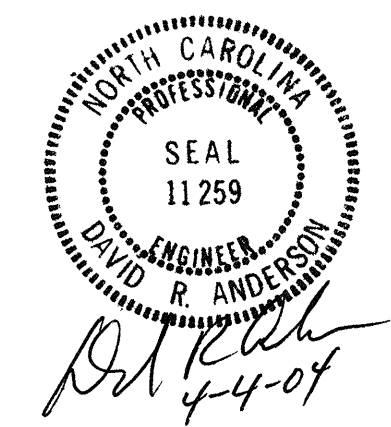
SECTION C-C
BERM RIP RAPPED

NOTE: FILTER FABRIC SHALL BE PLACED UNDER ENTIRE AREA OF RIP RAP



SECTION C-C

PROJECT NO. B-3649
GUILFORD COUNTY
STATION: 17+39.20 -L-



STATE OF NORTH CAROLINA DEPARTMENT OF TRANSPORTATION RALEIGH						SHEET NO. 5-28	
RIP RAP DETAILS						TOTAL SHEETS 32	
REVISIONS							
NO.	BY:	DATE:	NO.	BY:	DATE:		
1			3				
2			4				

DRAWN BY : N. Q. TRAN DATE : MAY-03
CHECKED BY : S. M. RASHIDI DATE : 2-04