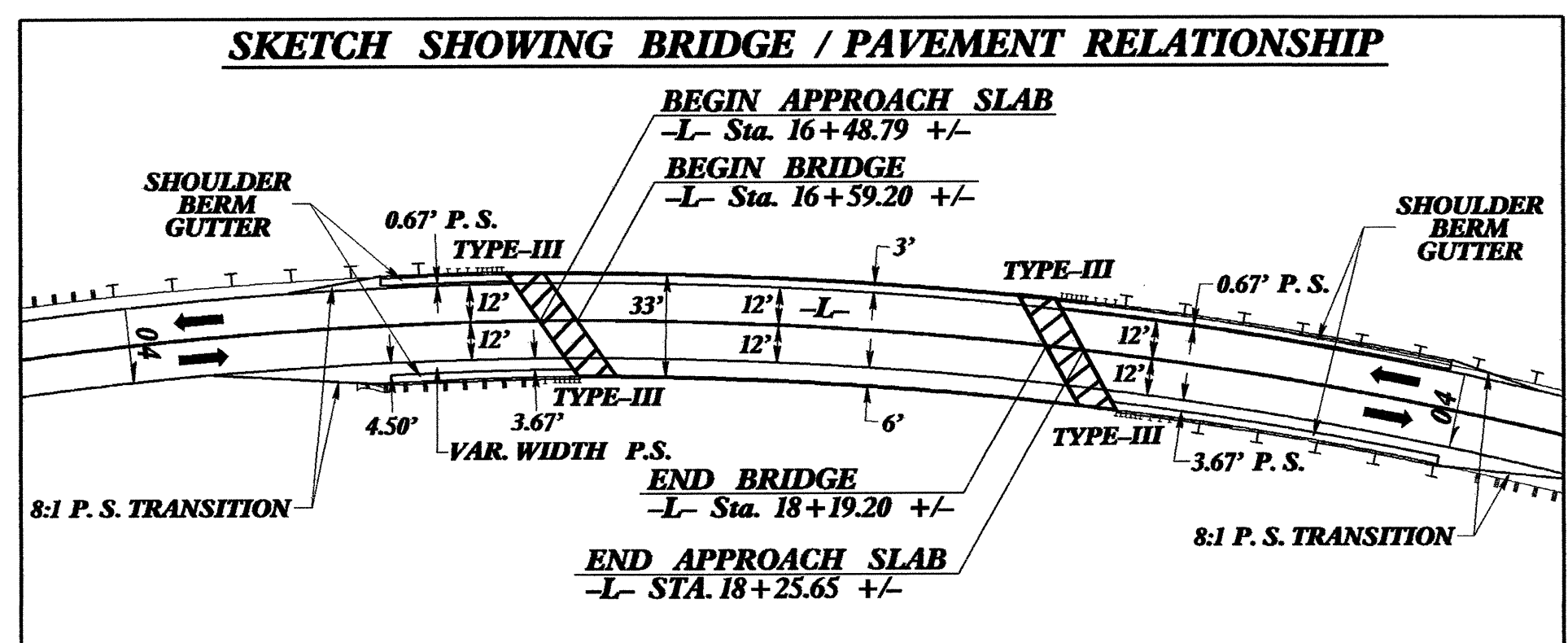
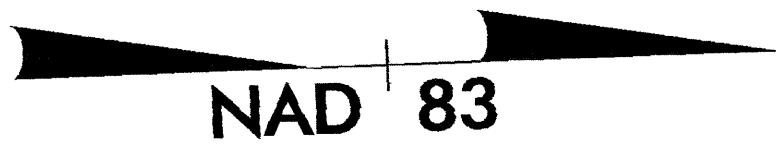


PROJECT REFERENCE NO.	SHEET NO.
B-3649	EC-4/CONST.4
RW SHEET NO.	
ROADWAY DESIGN ENGINEER	HYDRAULICS ENGINEER



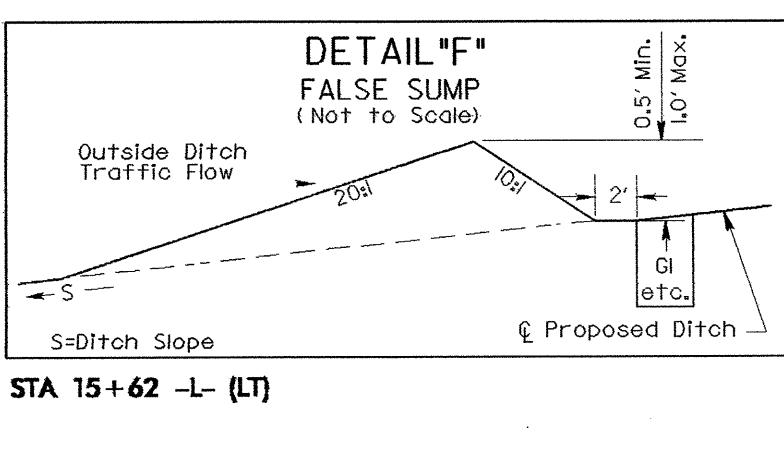
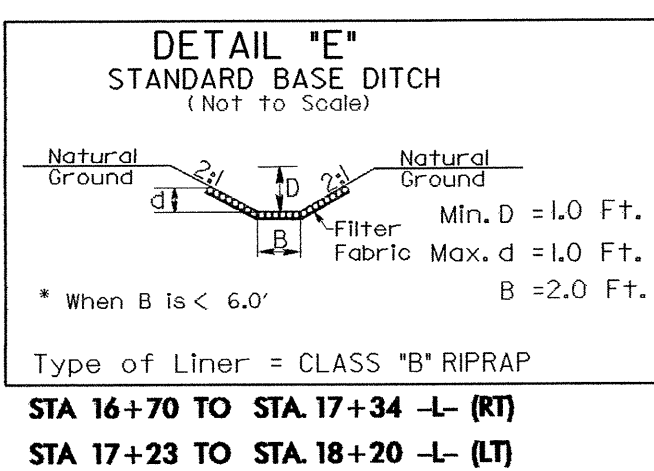
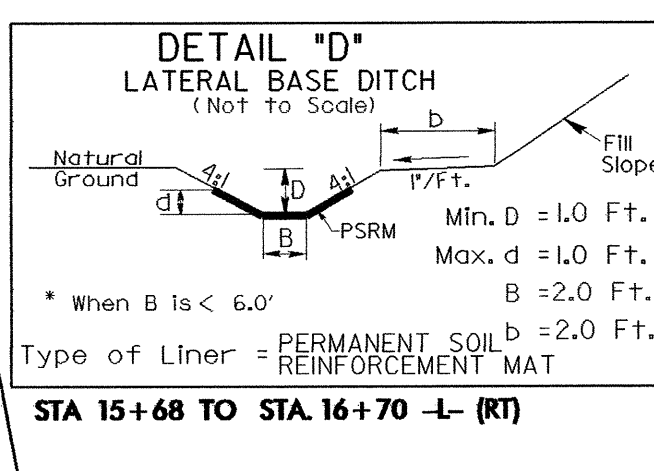
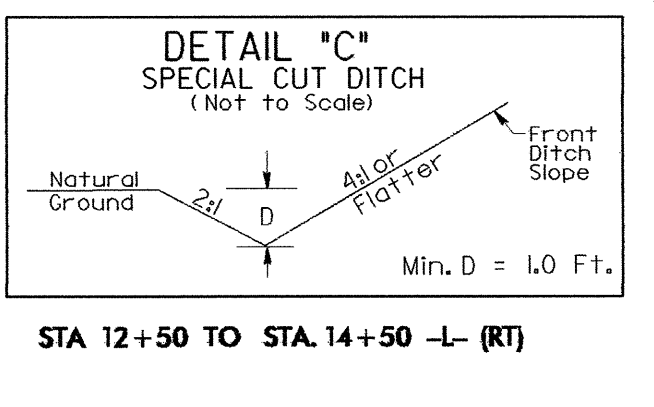
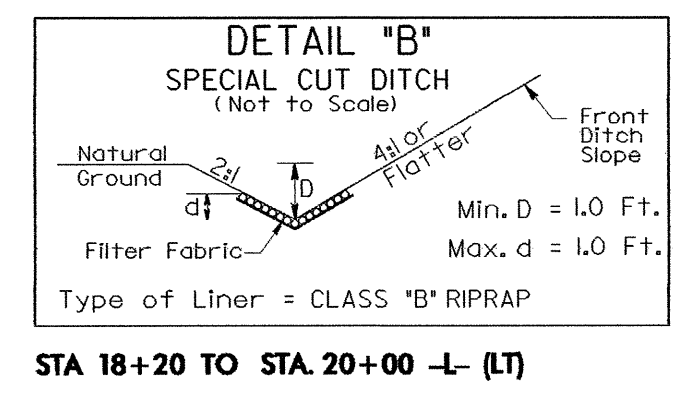
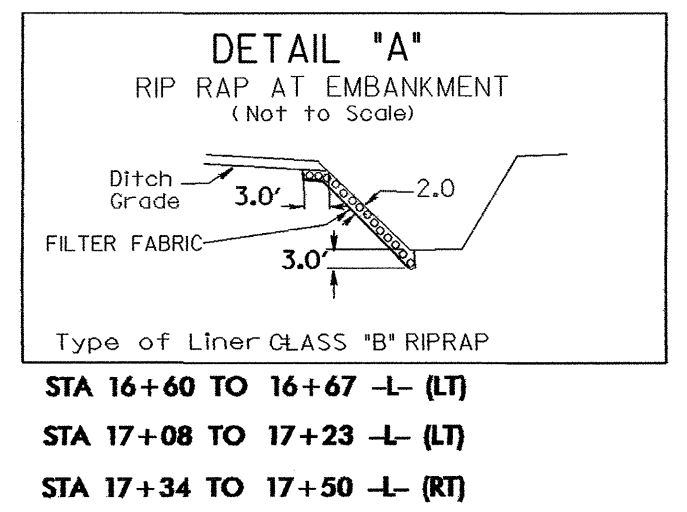
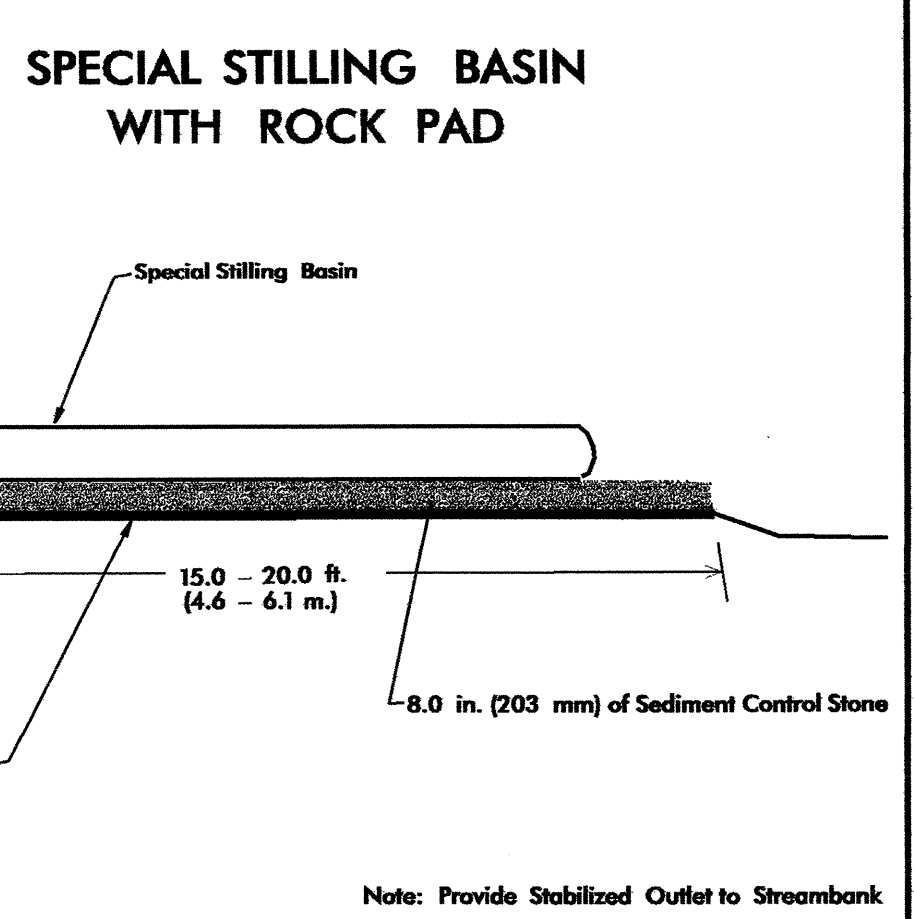
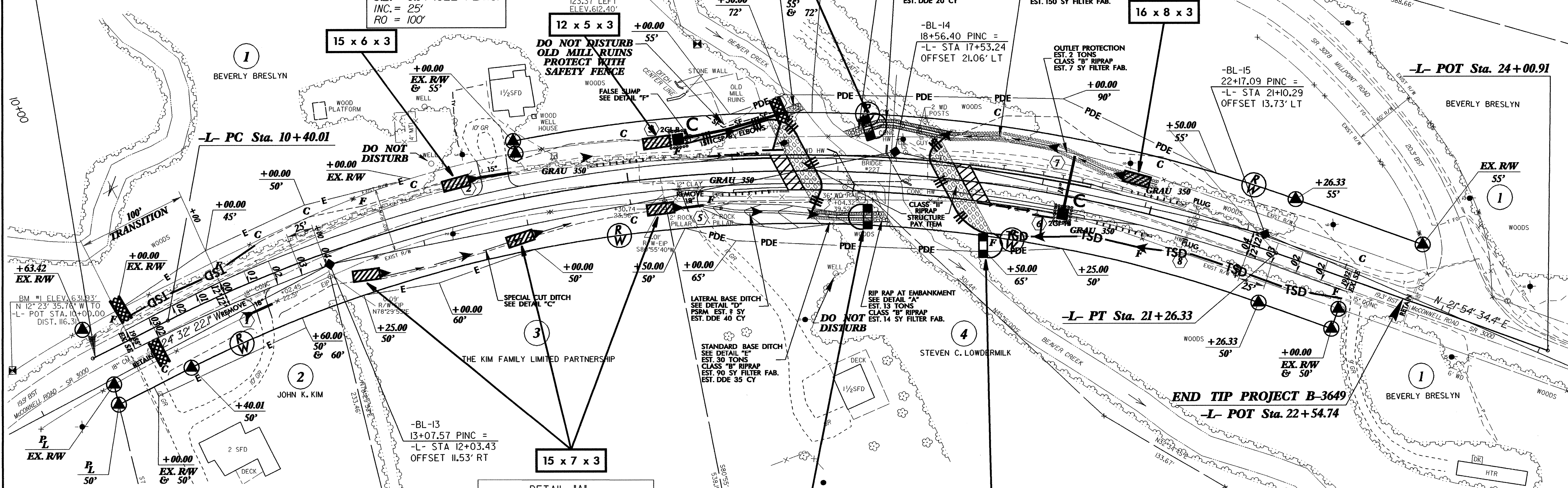
NOTE: UTILIZE SPECIAL STILLING BASIN, AND TEMPORARY ROCK SEDIMENT DAM TYPE - B AS STILLING BASIN, WHERE APPLICABLE.



**SHOULDER BERM GUTTER**  
 -L- STATION 16+00.00 TO 16+33.56 LT.  
 -L- STATION 16+00.00 TO 16+50.84 RT.  
 -L- STATION 18+27.84 TO 19+40.00 LT.  
 -L- STATION 18+51.58 TO 19+40.00 RT.

**-L-**  
 PI Sta 16+15.01  
 $\Delta = 46^{\circ} 26' 56.5''$  (RT)  
 $D = 4' 16.329''$   
 $L = 1,086.32'$   
 $T = 575.00'$   
 $R = 1,340.00'$   
 S.E. = 0.04 (SEE PLANS)  
 INC. = 25'  
 RO = 100'

**BEGIN TIP PROJECT B-3649**  
 -L- POT Sta. 9+62.64



**FOR -L- PROFILE SEE SHEET 5**  
**FOR STRUCTURE PLANS SEE SHEETS S-1 THRU S-?**