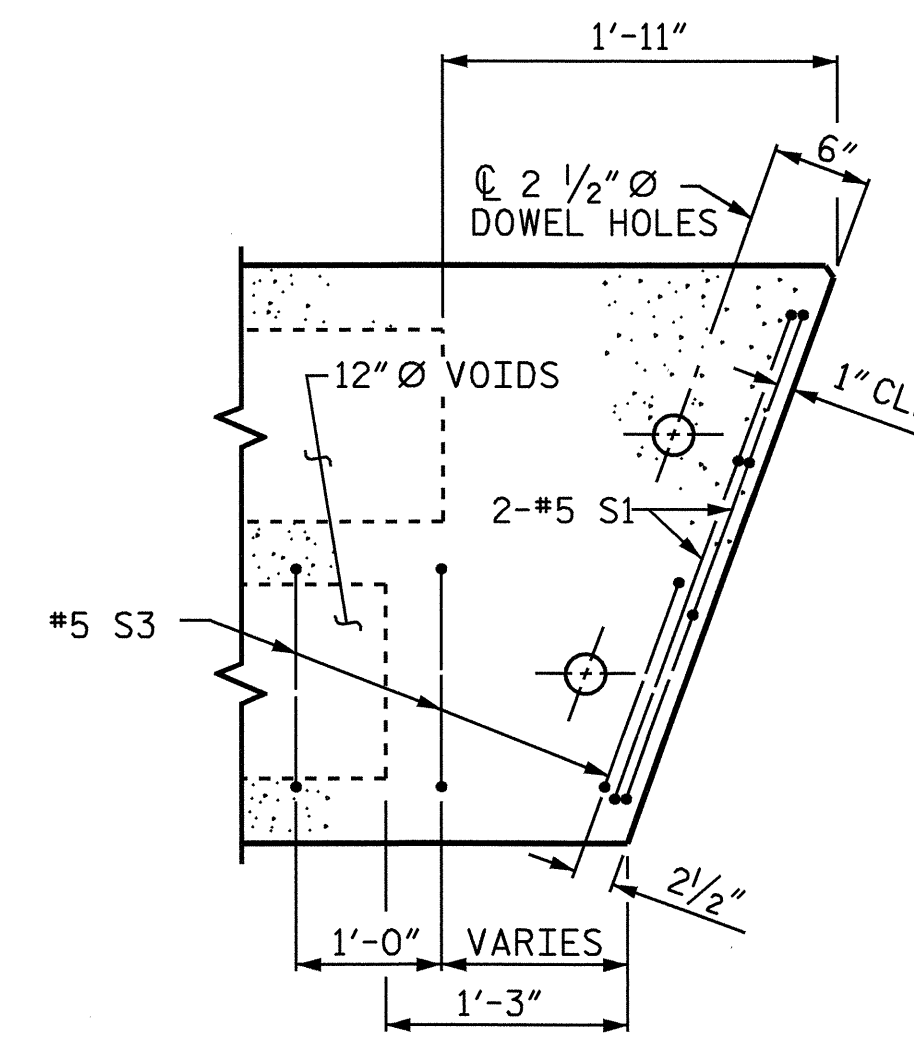


HALF SECTION AT INTERMEDIATE DIAPHRAGMS

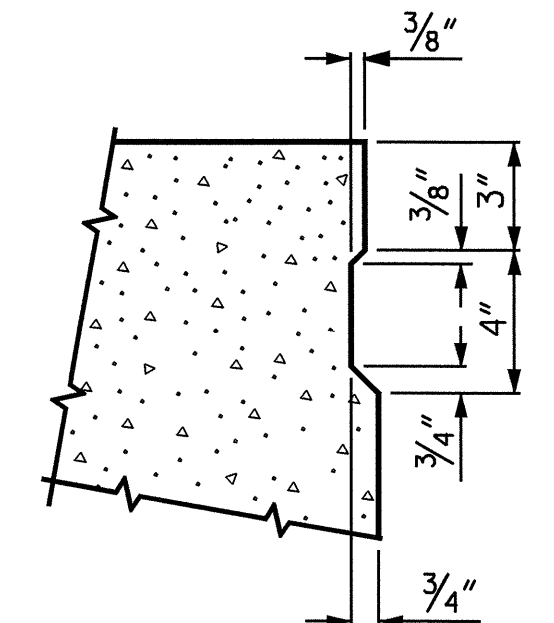
HALF SECTION AT 12" Ø VOIDS

TYPICAL SECTION



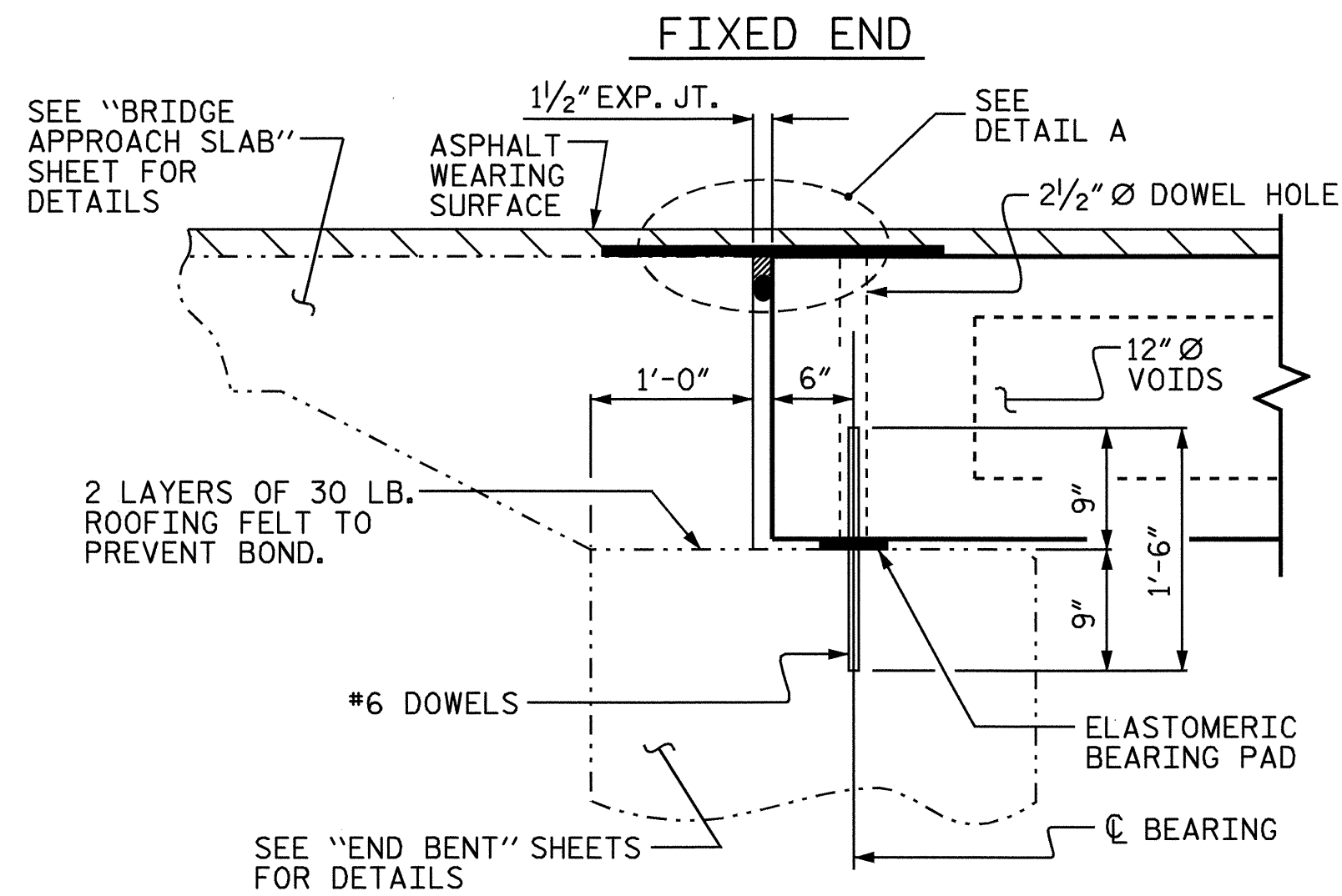
PART PLAN-EXTERIOR SECTION

NOTE: EXTERIOR SECTION SHOWN-INTERIOR SECTION SIMILAR EXCEPT OMIT S3 BARS. SEE PLAN OF CORED SLAB UNITS SHEETS FOR DIM. TO #5 S3

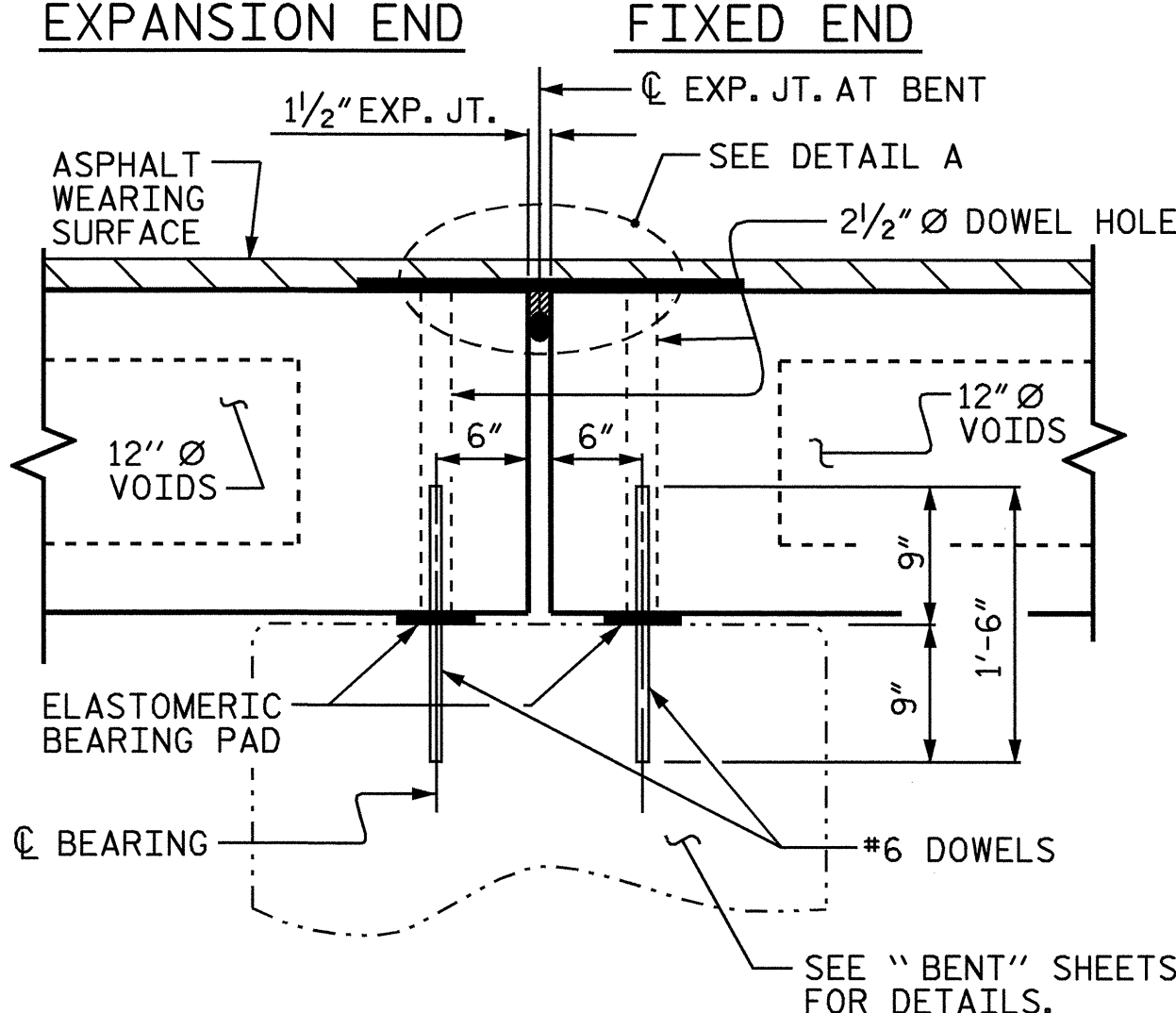


SHEAR KEY DETAIL

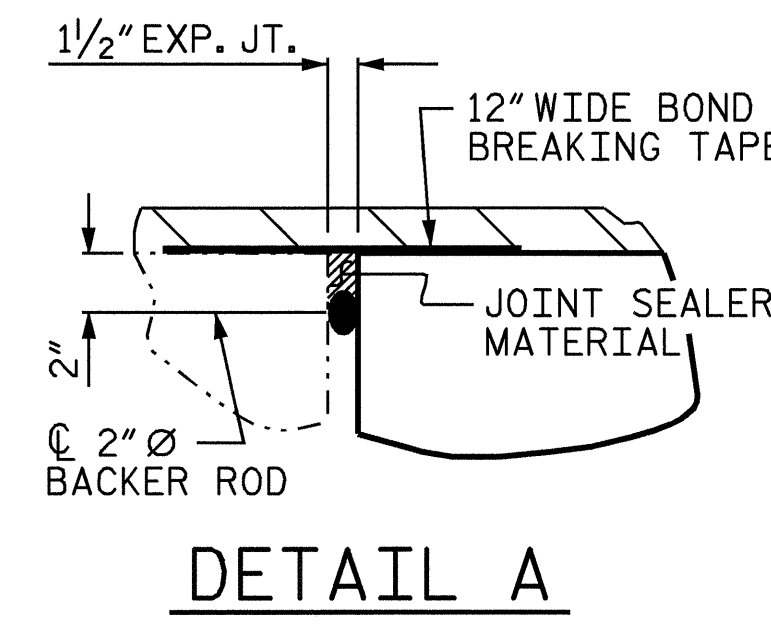
NOTE: OMIT SHEAR KEY ON OUTSIDE FACE OF EXTERIOR CORED SLABS.



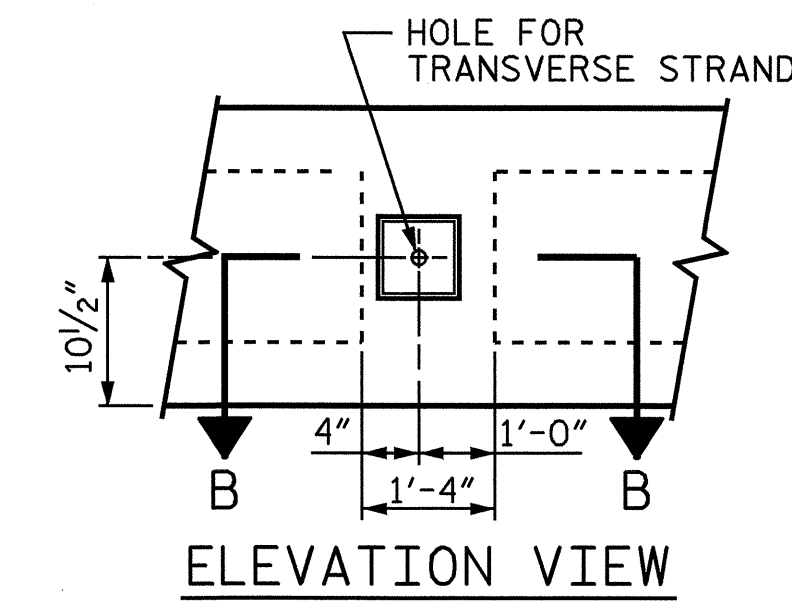
SECTION AT END BENT



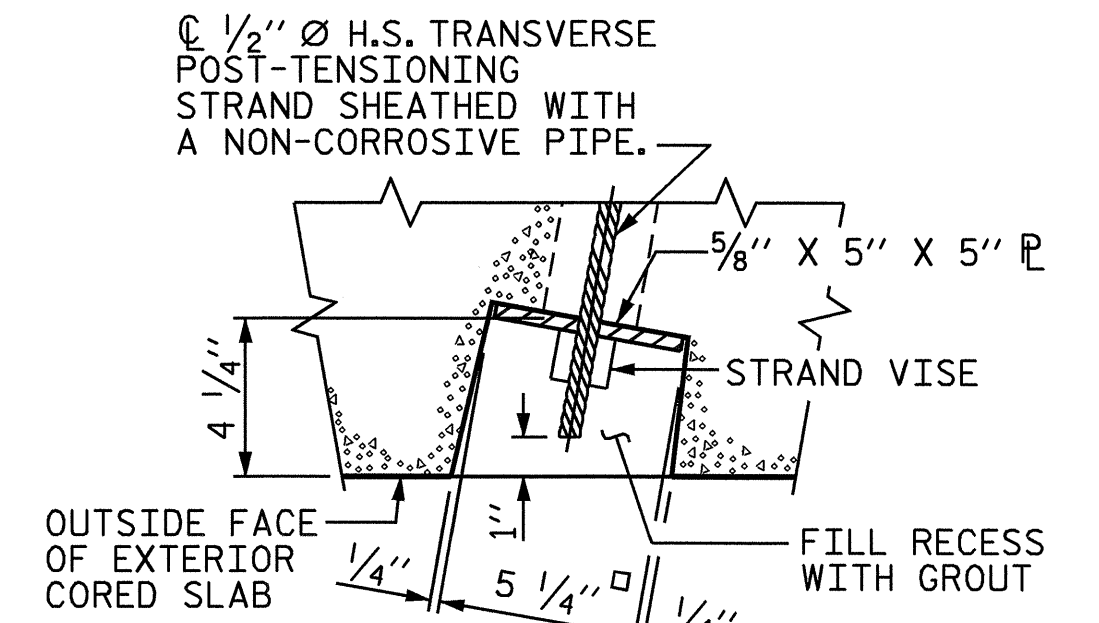
SECTION AT BENT



DETAIL A



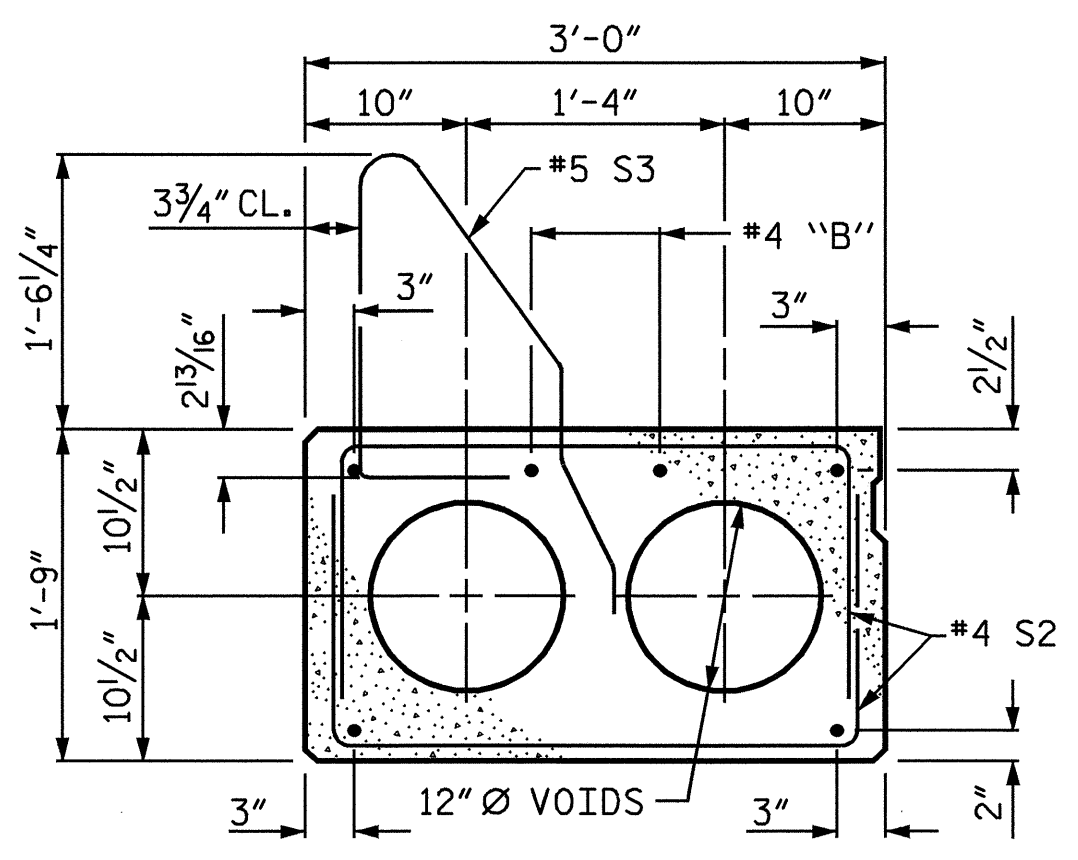
ELEVATION VIEW



SECTION B-B

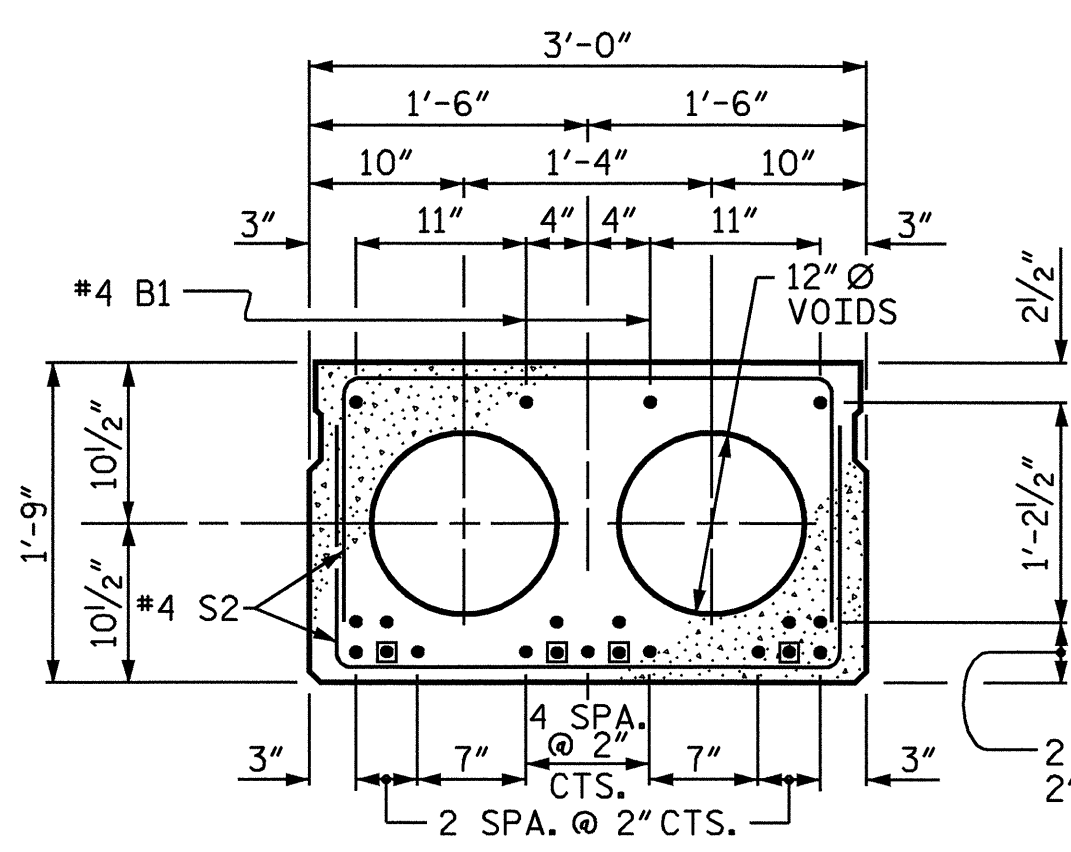
GROUTED RECESS AT END OF POST-TENSIONED STRAND-CORED SLAB

■ BOND SHALL BE BROKEN ON THESE STRANDS FOR A DISTANCE OF 4'-0" FROM END OF CORED SLAB UNIT, SEE STANDARD SPECIFICATIONS ARTICLE 1078-7.



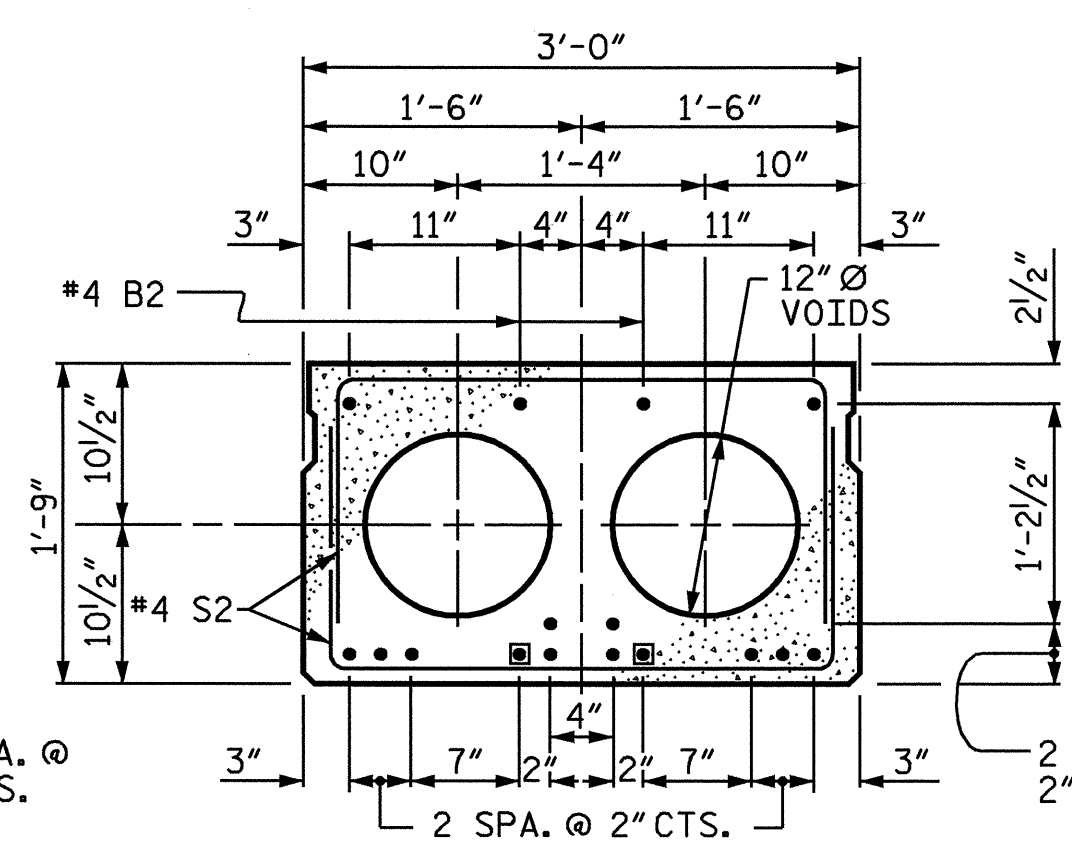
EXTERIOR SLAB SECTION

(FOR PRESTRESSED STRAND LAYOUT, SEE INTERIOR SLAB SECTION.)



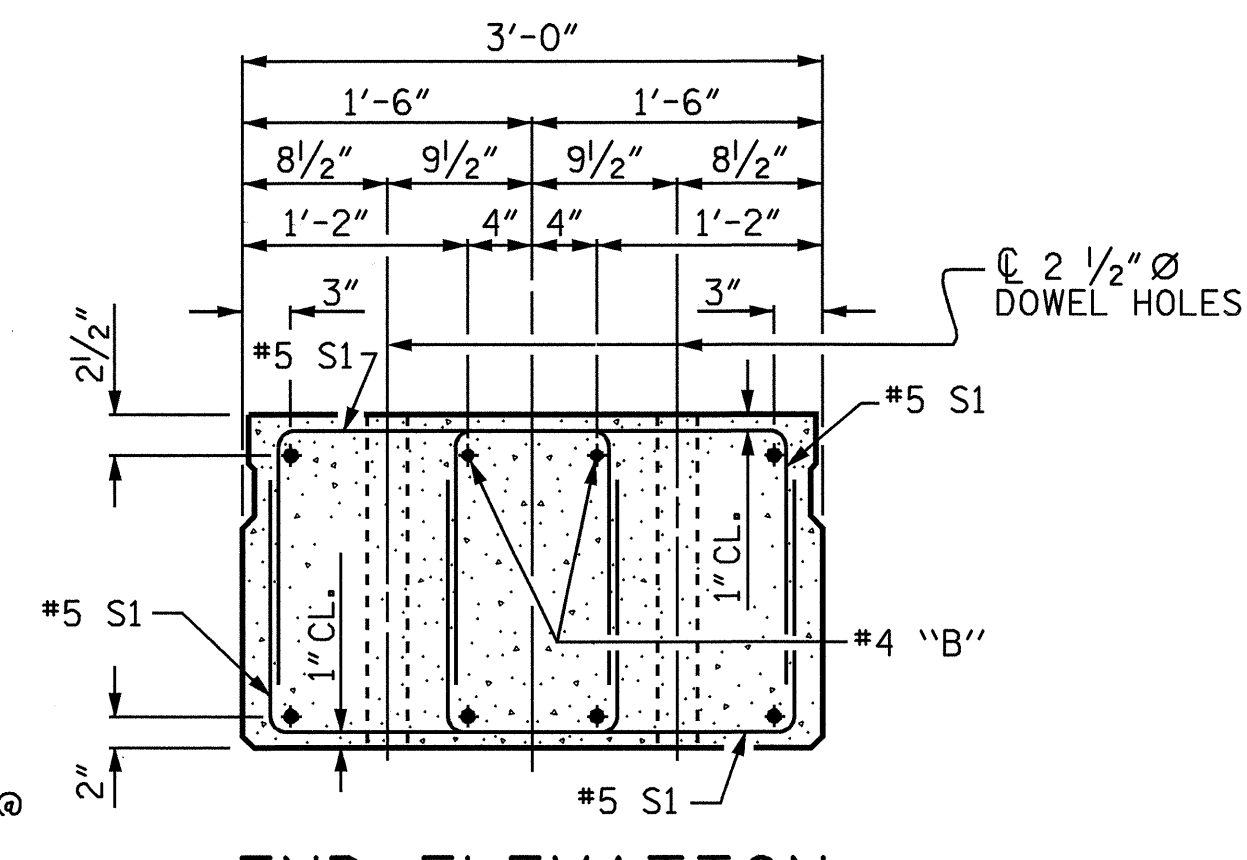
INTERIOR SLAB SECTION  
1/2" Ø LOW RELAXATION STRAND LAYOUT

TYPICAL SPANS "A" AND "B"



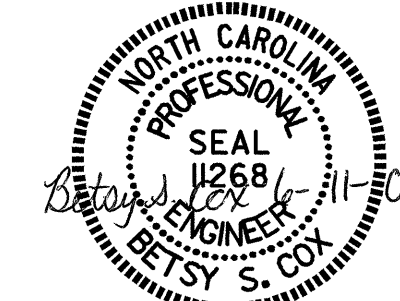
INTERIOR SLAB SECTION  
1/2" Ø LOW RELAXATION STRAND LAYOUT

SPAN "C" ONLY



END ELEVATION

SHOWING PLACEMENT OF DOUBLE STIRRUPS AND LOCATION OF DOWEL HOLES. STRAND LAYOUT NOT SHOWN. INTERIOR SLAB SECTION SHOWN-EXTERIOR SLAB SECTION SIMILAR EXCEPT SHEAR KEY LOCATION.



PROJECT NO. B-3646  
GUILFORD COUNTY  
STATION: 16+44.43 -L-

SHEET 1 OF 7

STATE OF NORTH CAROLINA DEPARTMENT OF TRANSPORTATION RALEIGH				3'-0" X 1'-9" PRESTRESSED CONCRETE CORED SLAB UNIT	
REVISIONS					
NO.	BY:	DATE:	NO.	BY:	DATE:
1			3		
2			4		

SHEET NO. S-4	
TOTAL SHEETS 28	

DRAWN BY: P.C. BREWER DATE: 9/2/03  
CHECKED BY: S.B. WILLIAMS DATE: 9/10/03