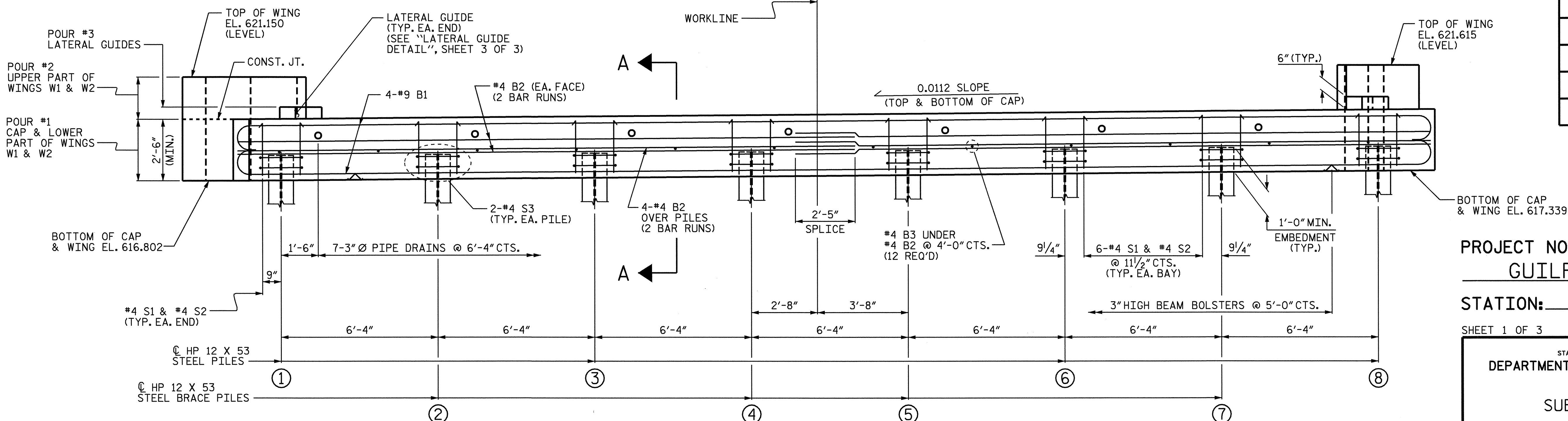


PLAN



ELEVATION

TOP OF PILE ELEVATIONS	
①	617.833
②	617.904
③	617.975
④	618.046
⑤	618.117
⑥	618.188
⑦	618.259
⑧	618.330

PROJECT NO. B-3646
 GUILFORD COUNTY
 STATION: 16+44.43 -L-

SHEET 1 OF 3

STATE OF NORTH CAROLINA
 DEPARTMENT OF TRANSPORTATION
 RALEIGH

SUBSTRUCTURE
 END BENT No. 2



REVISIONS						SHEET NO.
NO.	BY:	DATE:	NO.	BY:	DATE:	S-18
1			3			TOTAL SHEETS
2			4			28

DRAWN BY : P.C. BREWER DATE : 9/10/03
 CHECKED BY : S.B. WILLIAMS DATE : 9/30/03

09-JUN-2004 14:12
 w:\squad\b3646\pbrewer\Microstation\B3646.sd.EB2.01.dgn
 pbrewer