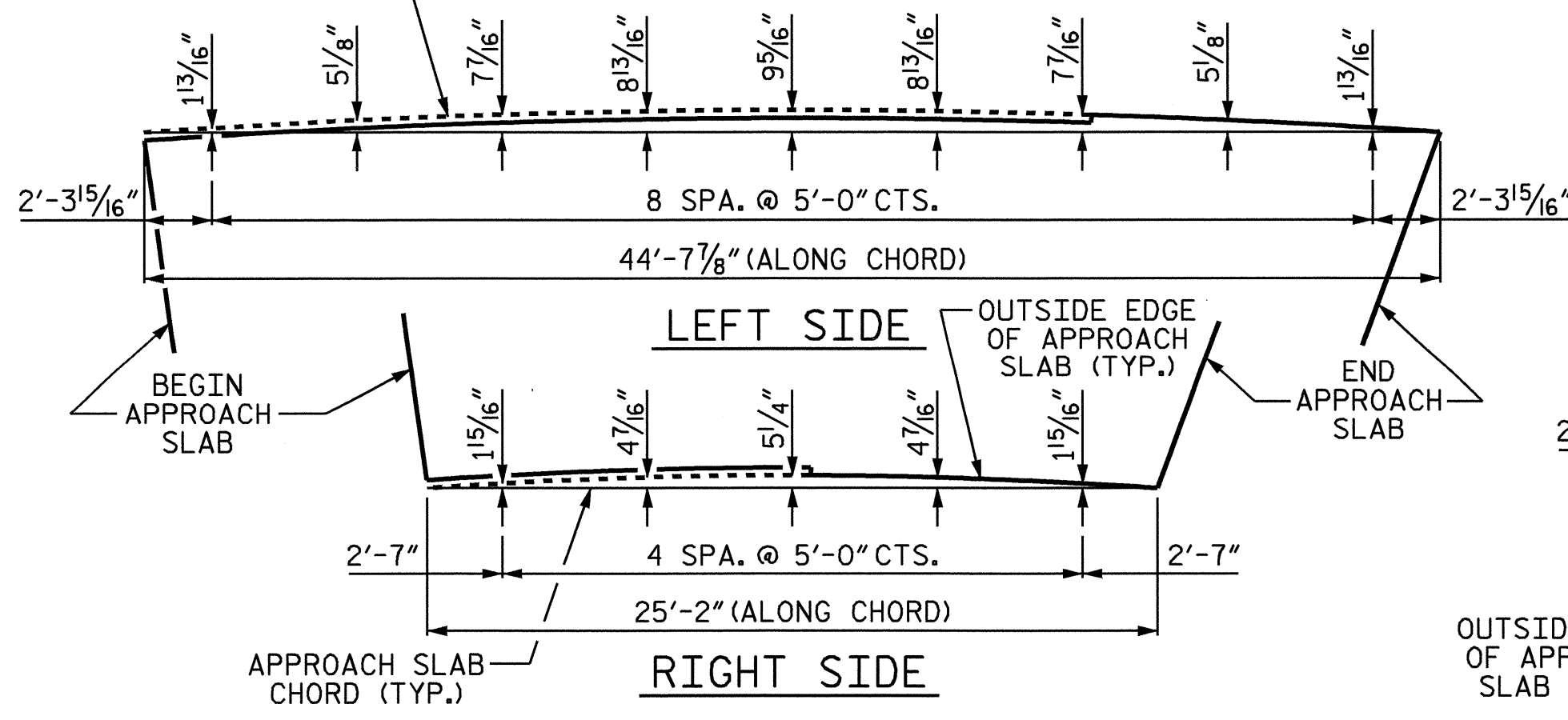


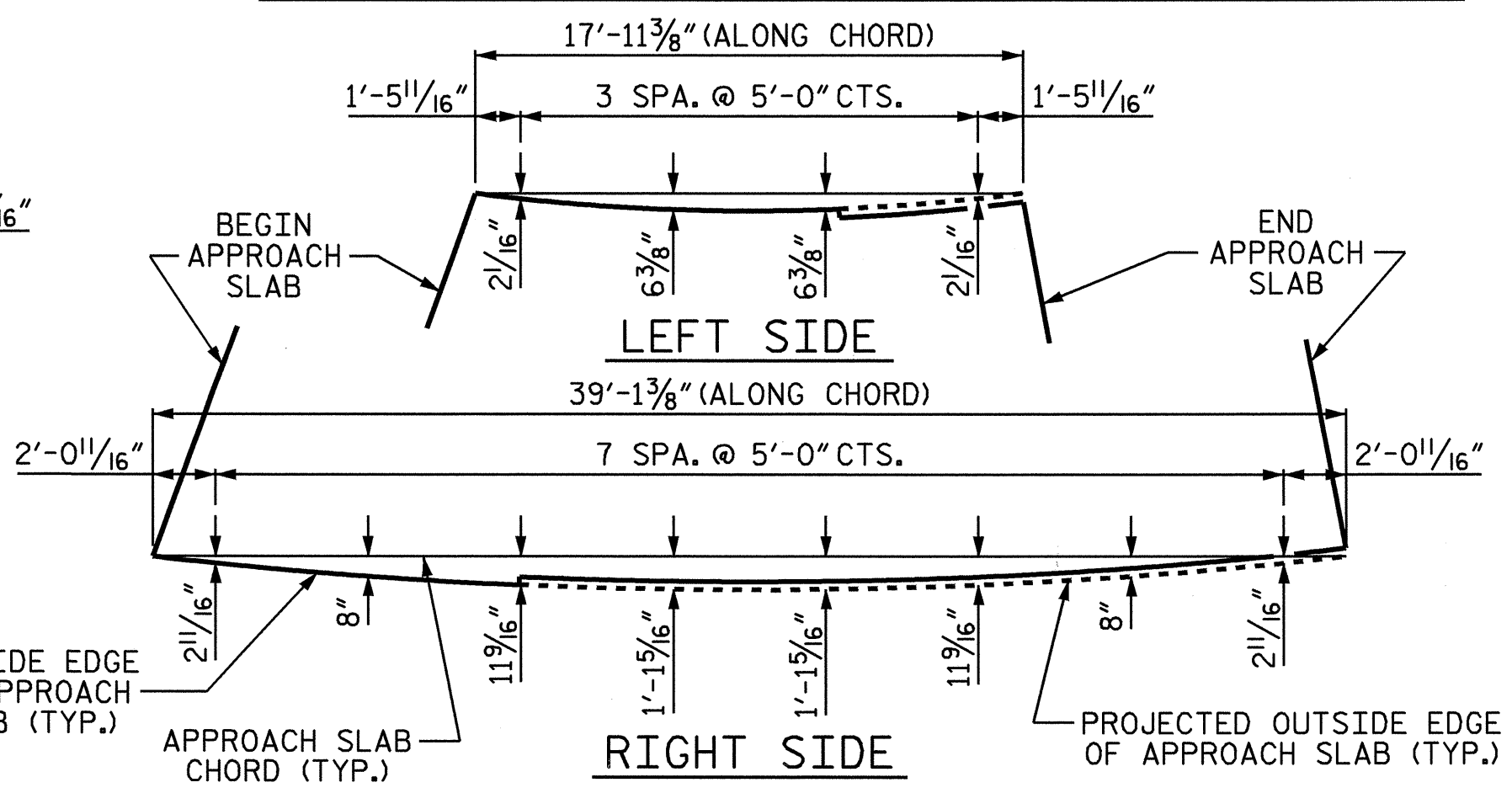
PLAN AT END BENT No. 1

PLAN OF APPROACH SLAB

PLAN AT END BENT No. 2

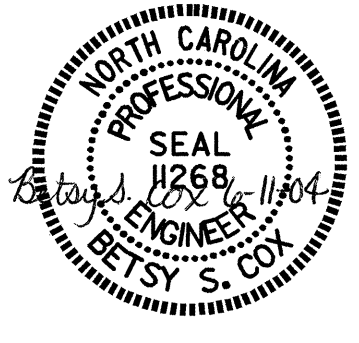


ARC OFFSETS AT END BENT No. 1



ARC OFFSETS AT END BENT No. 2

NOTES:
 FOR "A" BAR LAYOUT, SEE SHEET 2 OF 7.
 FOR "B" BAR LAYOUT, SEE SHEET 3 OF 7.
 FOR EXTENDED TANGENT LAYOUT SEE "GENERAL DRAWING", SHEET 3 OF 3.
 * MEASURED RADIALLY.
 FOR REINFORCING STEEL IN BARRIER RAIL, SEE SHEET 5 OF 7.



PROJECT NO. B-3646
GUILFORD COUNTY
 STATION: 16+44.43 -L-

SHEET 1 OF 7

STATE OF NORTH CAROLINA DEPARTMENT OF TRANSPORTATION RALEIGH					SHEET NO. S-22	
APPROACH SLAB LAYOUT						
REVISIONS						
NO.	BY:	DATE:	NO.	BY:	DATE:	TOTAL SHEETS
1			3			28
2			4			

DRAWN BY : P.C. BREWER DATE : 2/18/04
 CHECKED BY : C.H. SIMPSON DATE : 5/19/04