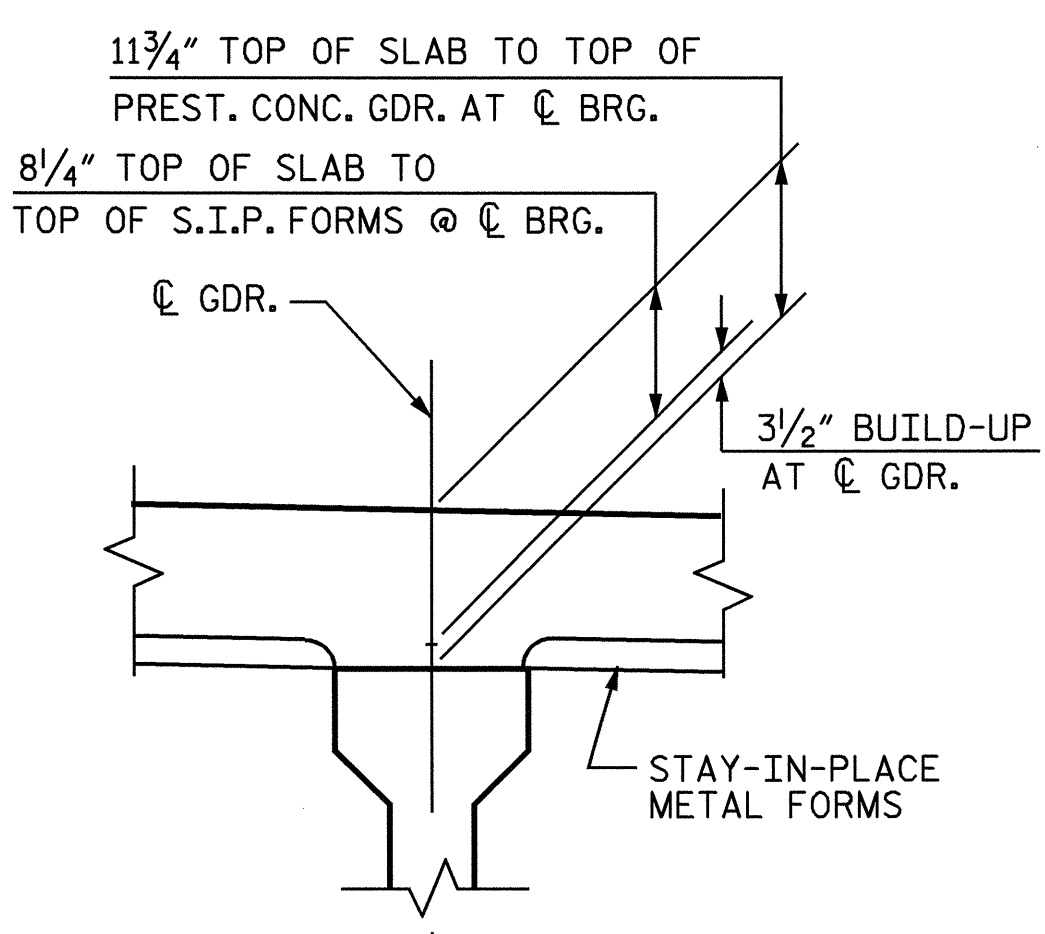


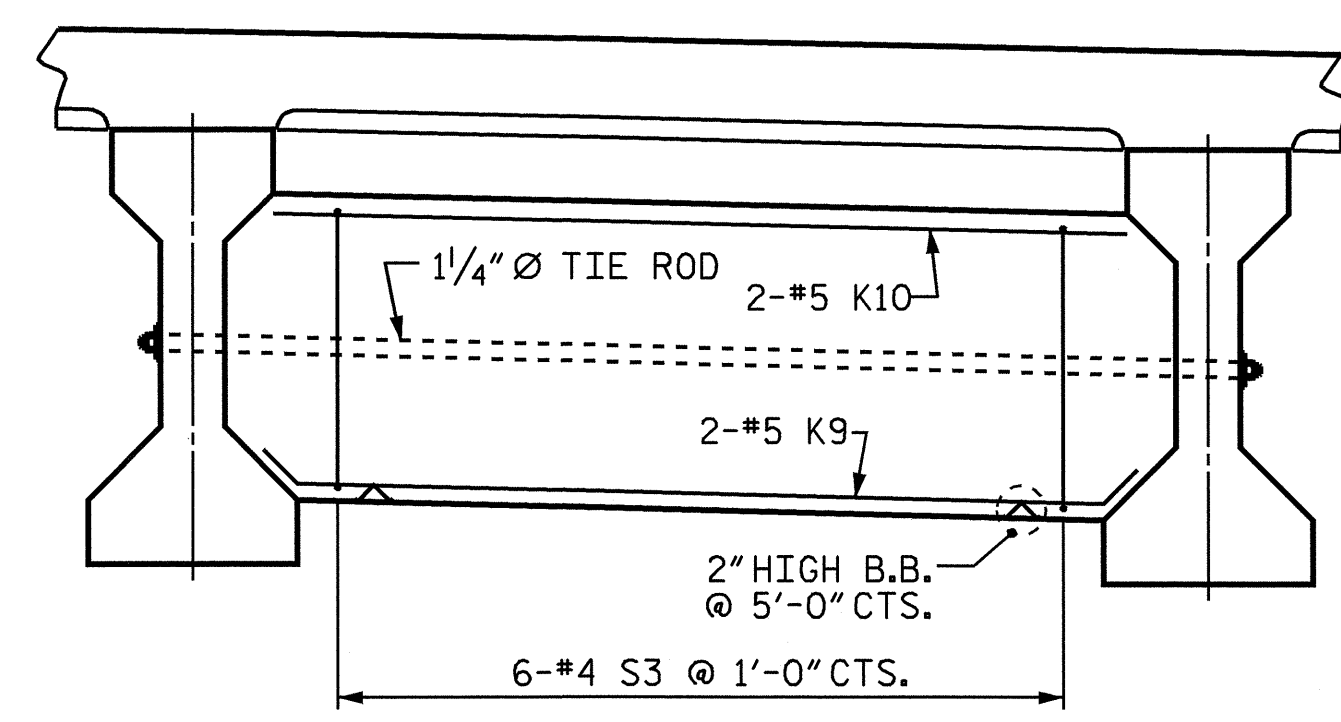
TYPICAL HALF-SECTION AT BENTS

TYPICAL HALF-SECTION AT END BENTS

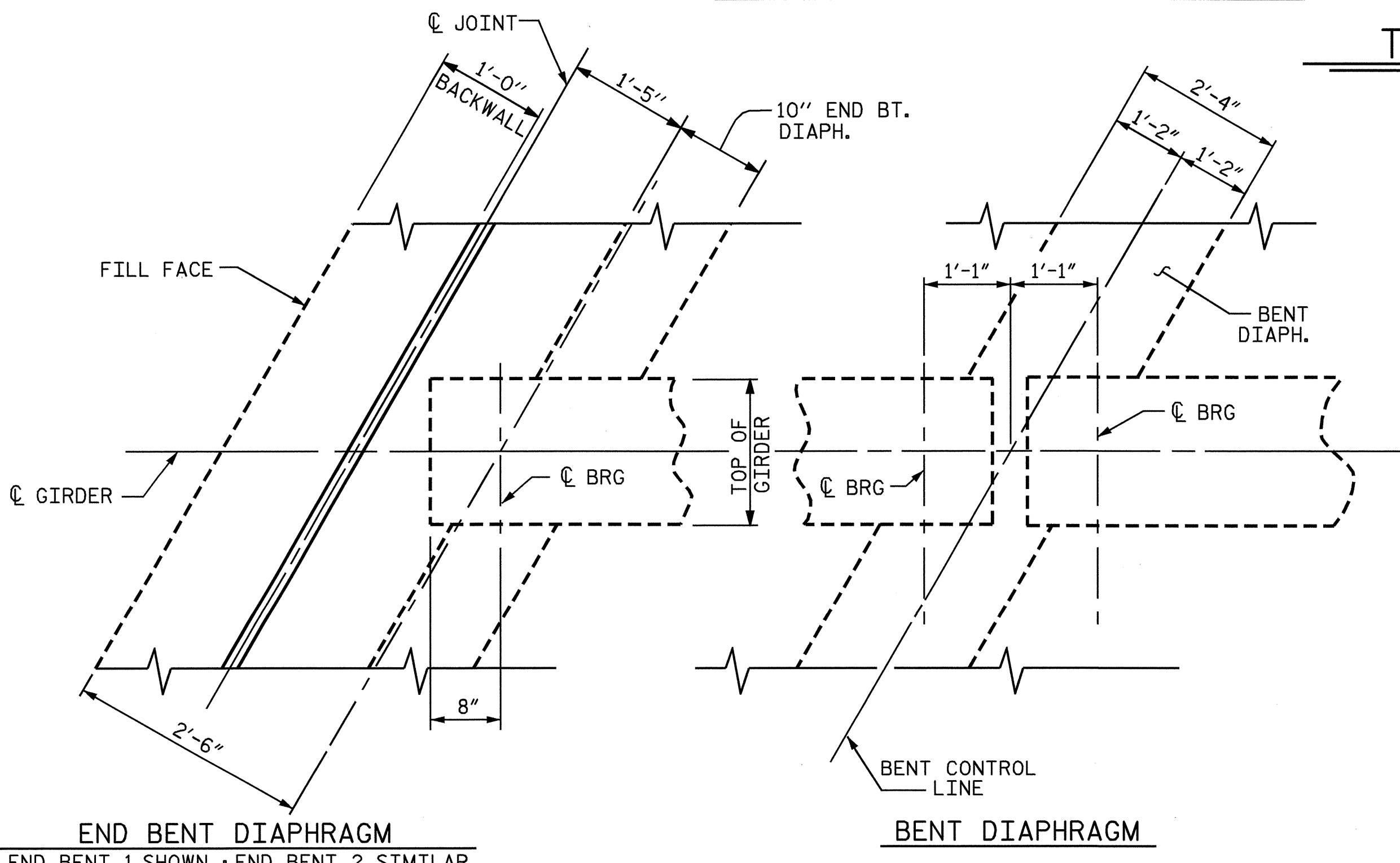
TYPICAL SECTION



DETAIL A



INTERMEDIATE DIAPHRAGM
(TYP. SPANS A & B)



PLAN OF DIAPHRAGMS

PROJECT NO. B-3310
BUNCOMBE COUNTY
 STATION: 19+80.00 -L-

SHEET 1 OF 2

STATE OF NORTH CAROLINA DEPARTMENT OF TRANSPORTATION RALEIGH					
SUPERSTRUCTURE TYPICAL SECTIONS					
SHEET NO. S-5					
TOTAL SHEETS 32					
REVISIONS					
NO.	BY:	DATE:	NO.	BY:	DATE:
1			3		
2			4		

DRAWN BY: A.R.CHESSON DATE: 6-03
 CHECKED BY: S.H.SOCKWELL DATE: 11-03

