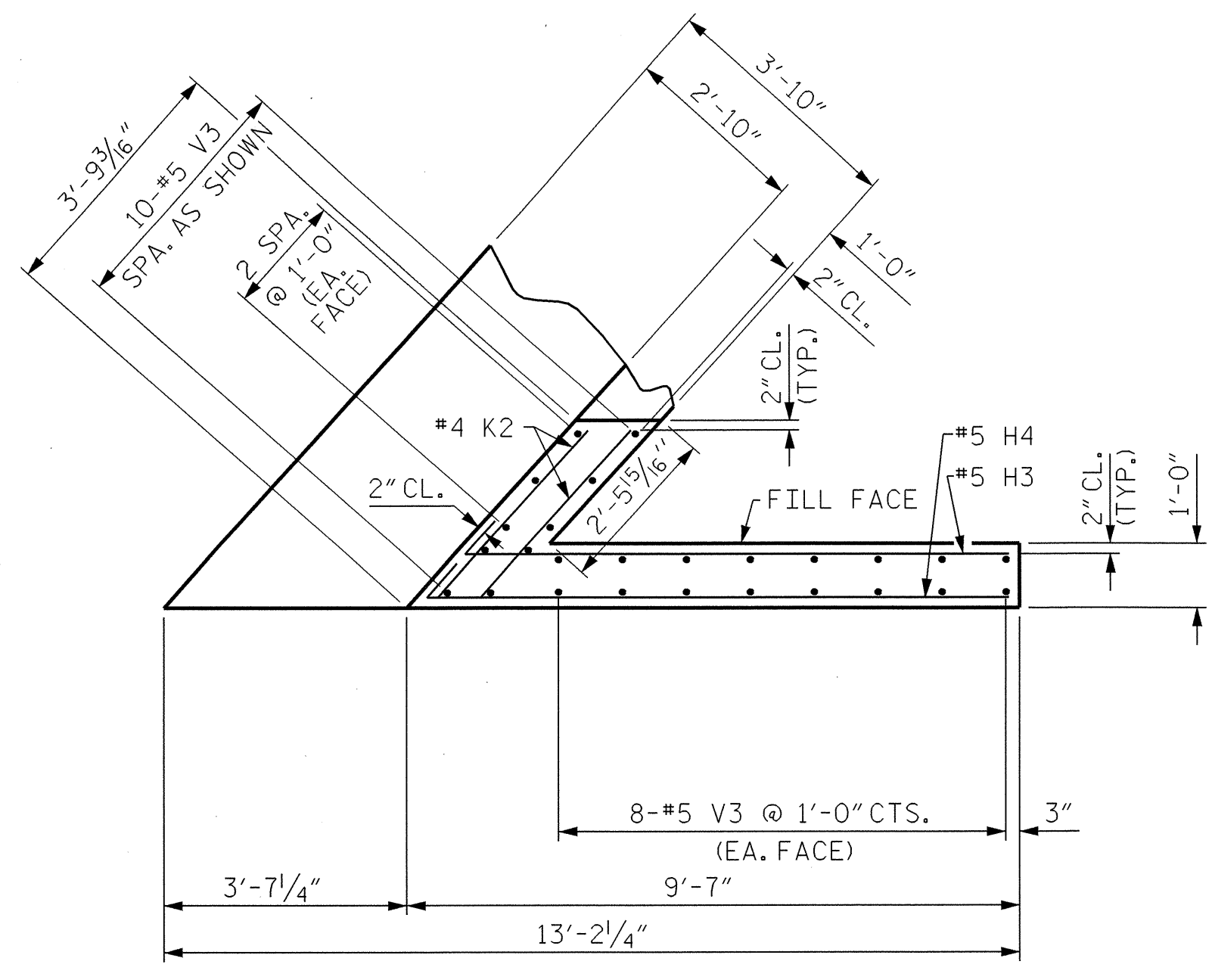
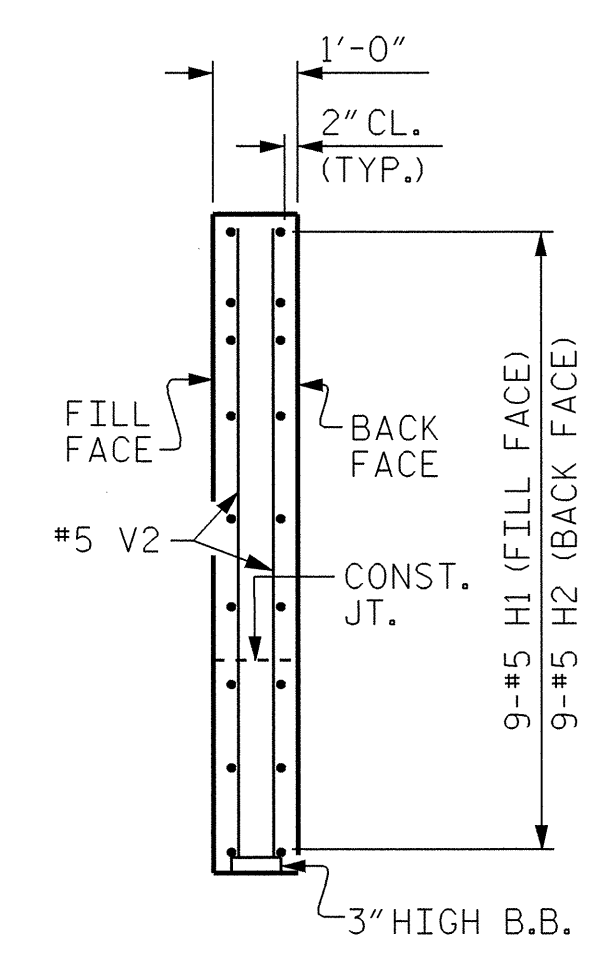


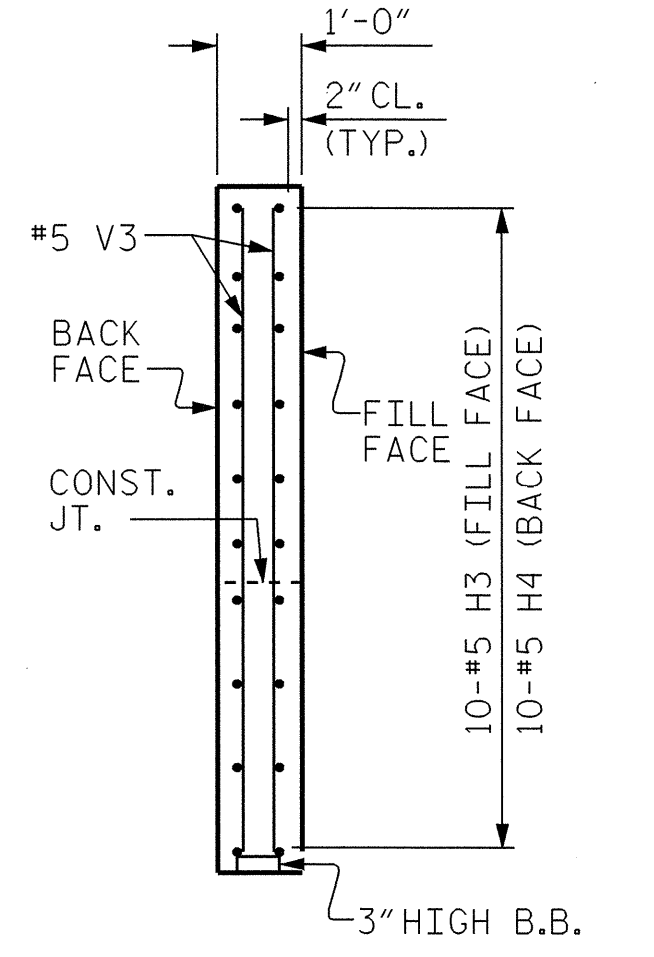
PLAN OF LEFT WING (W1)



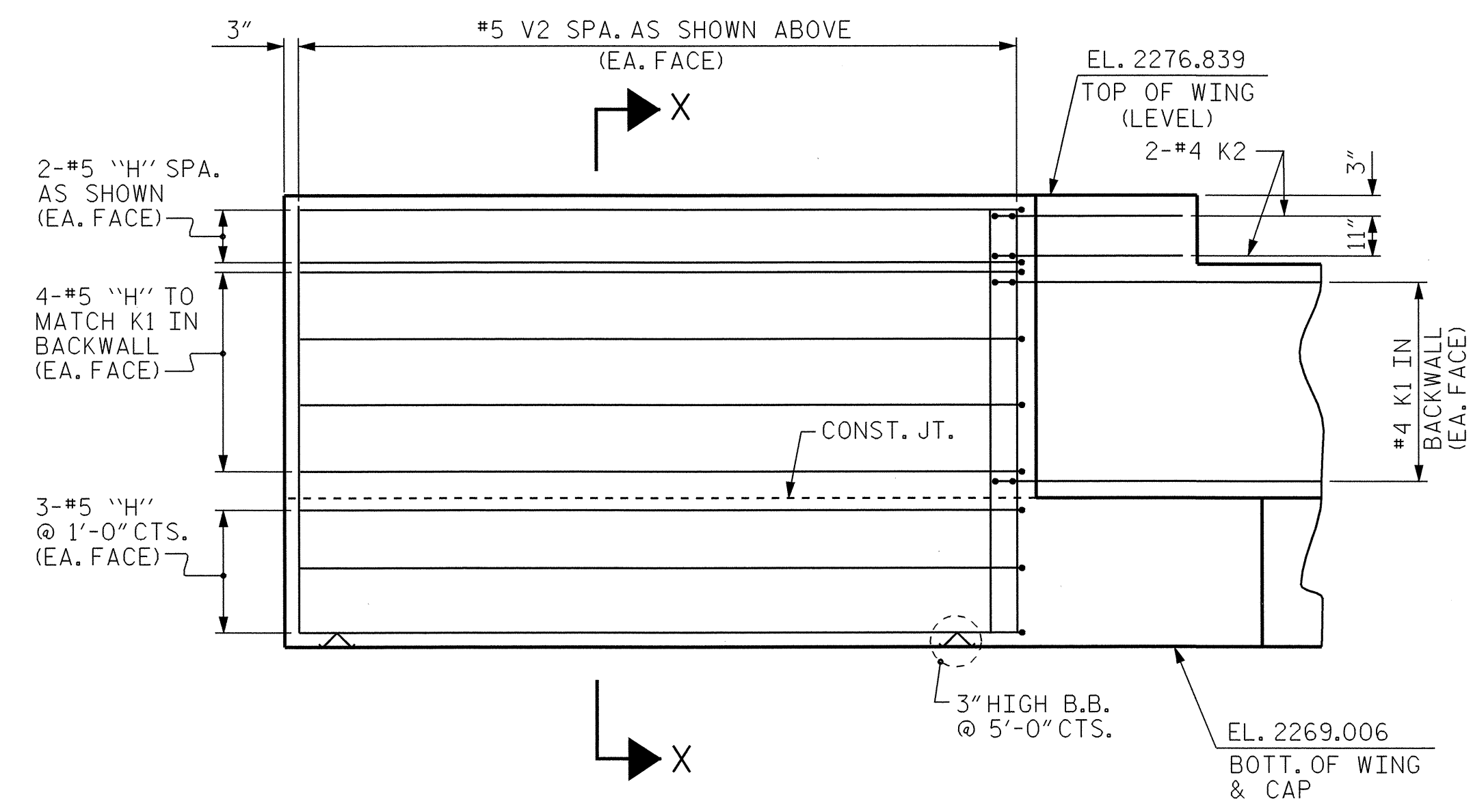
PLAN OF RIGHT WING (W2)



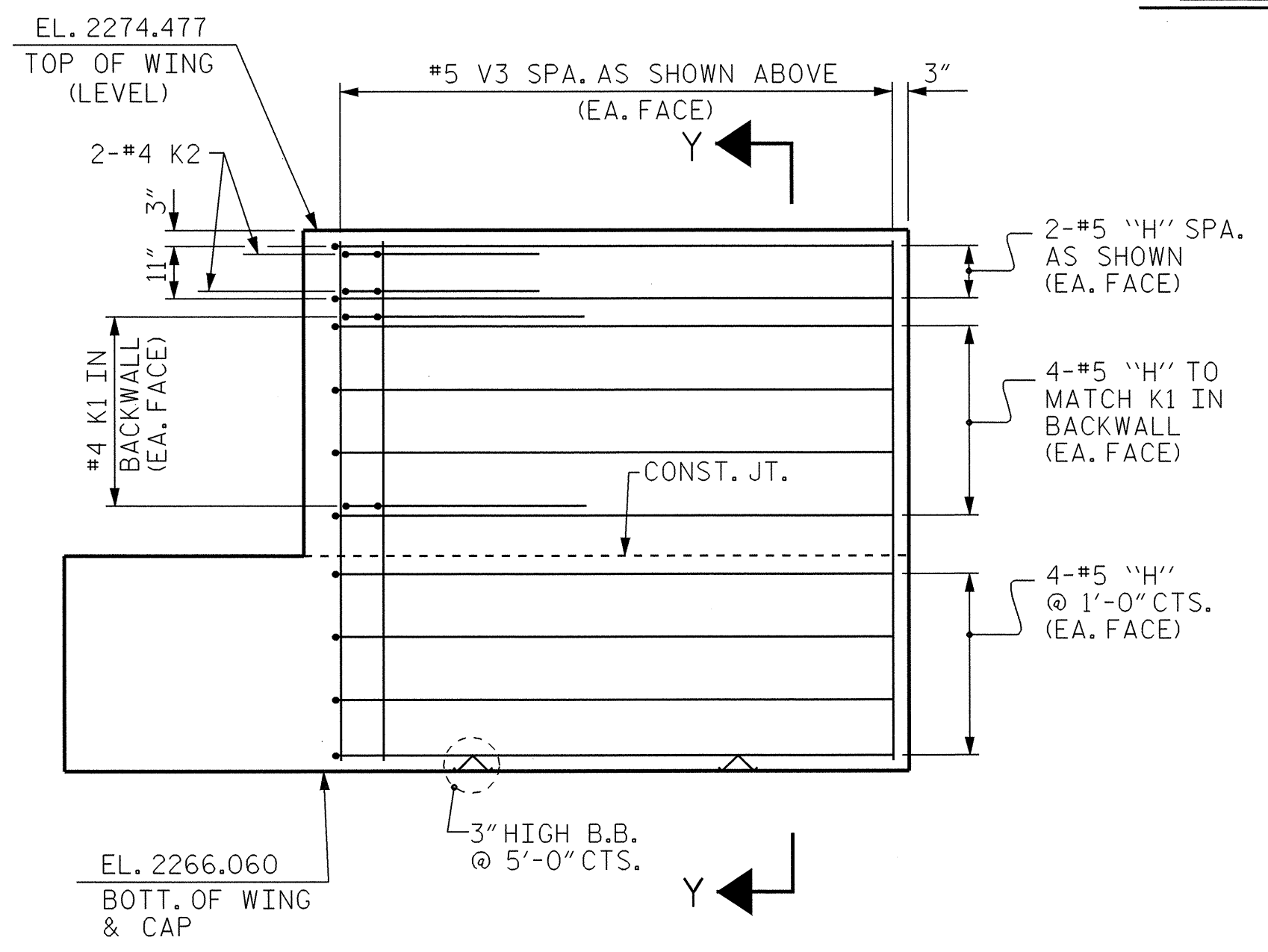
SECTION X-X



SECTION Y-Y



ELEVATION OF LEFT WING (W1)



ELEVATION OF RIGHT WING (W2)

PROJECT NO. B-3310
BUNCOMBE COUNTY
STATION: 19+80.00 -L-

SHEET 2 OF 3

STATE OF NORTH CAROLINA
DEPARTMENT OF TRANSPORTATION
RALEIGH
SUBSTRUCTURE
END BENT 2



DRAWN BY: A.R.CHESSON DATE: 7-03
CHECKED BY: H.A.LOCKLEAR DATE: 1-6-04

REVISIONS						SHEET NO.	
NO.	BY:	DATE:	NO.	BY:	DATE:	S-22	
1			3			TOTAL SHEETS	
2			4			32	