

22-MAY-2003 10:17
 W:\Special Details\word\stds\02\stds to Special Details\english\86202\0862d02.dgn
 ericward

STATE OF NORTH CAROLINA
 DEPT. OF TRANSPORTATION
 DIVISION OF HIGHWAYS
 RALEIGH, N.C.

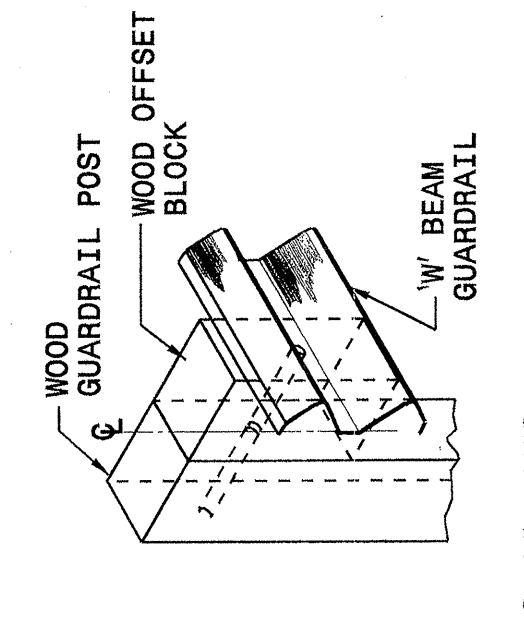
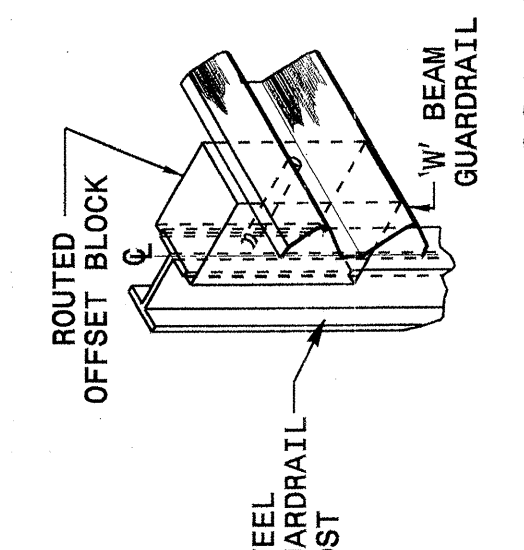
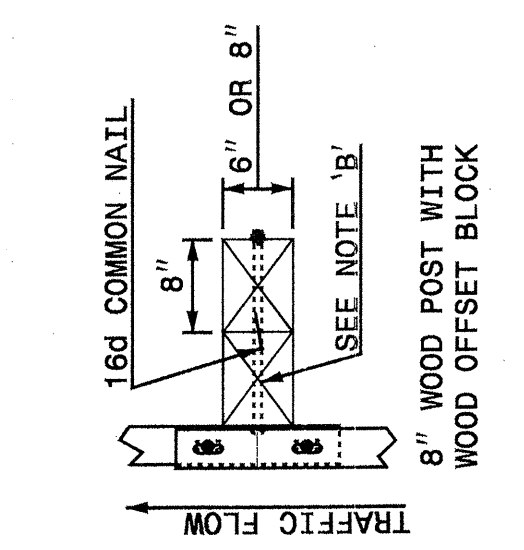
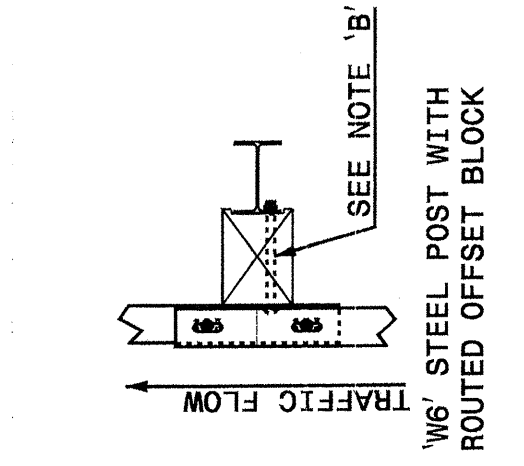
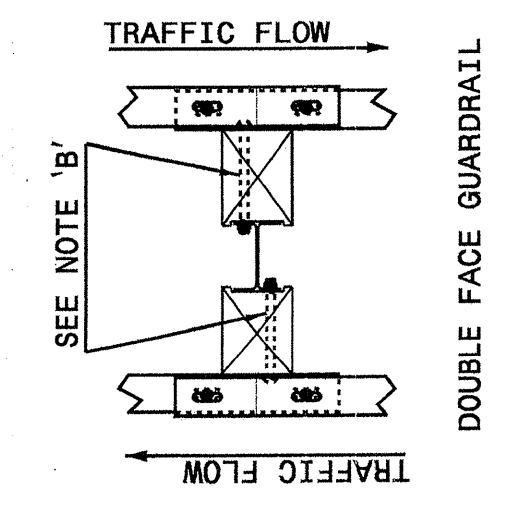
STATE OF NORTH CAROLINA
 DEPT. OF TRANSPORTATION
 DIVISION OF HIGHWAYS
 RALEIGH, N.C.

ENGLISH DETAIL DRAWING FOR
GUARDRAIL INSTALLATION

ENGLISH DETAIL DRAWING FOR
GUARDRAIL INSTALLATION

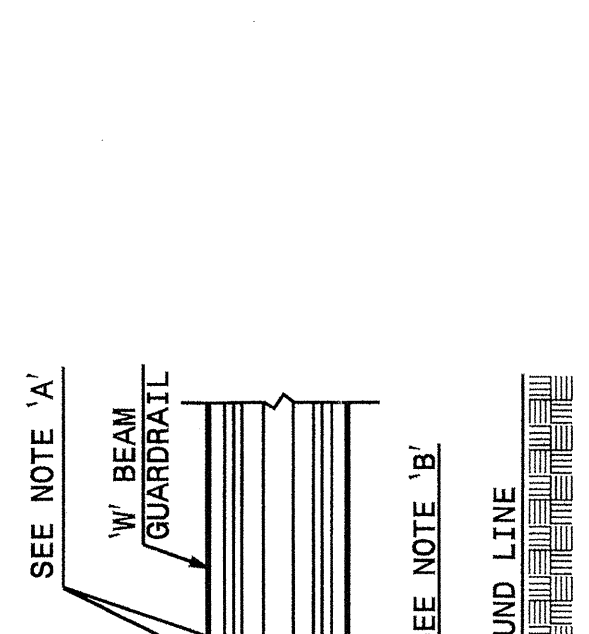
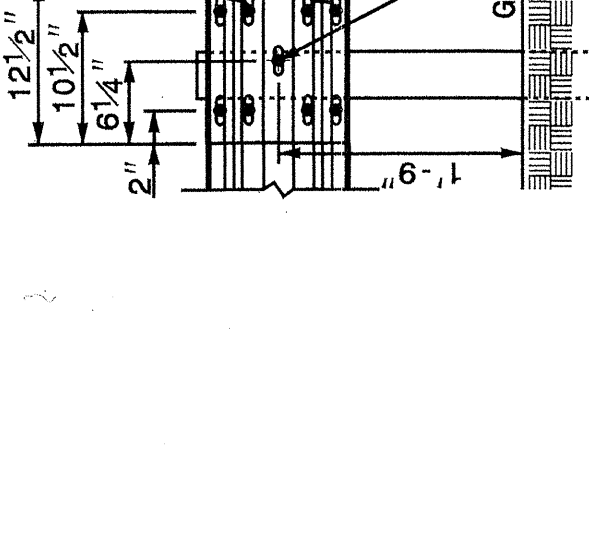
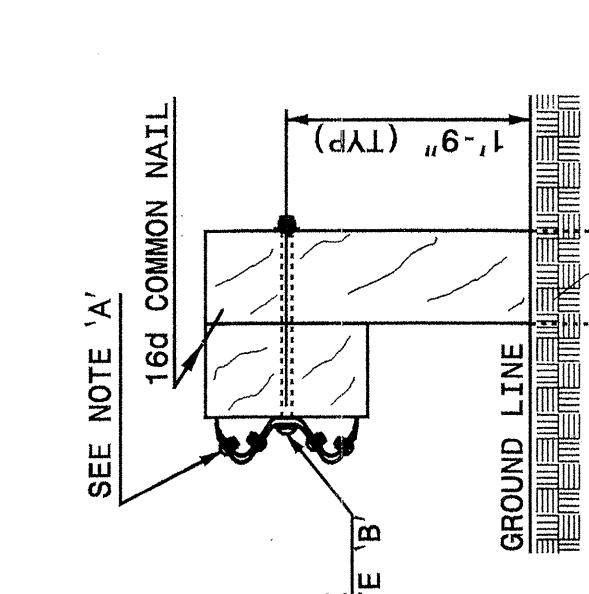
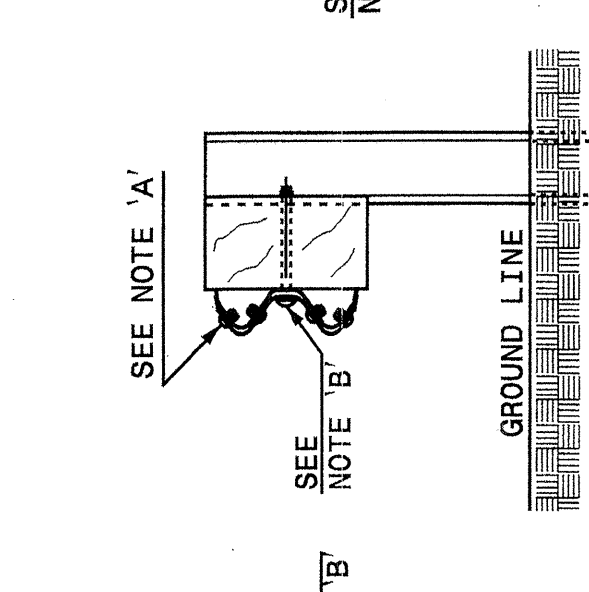
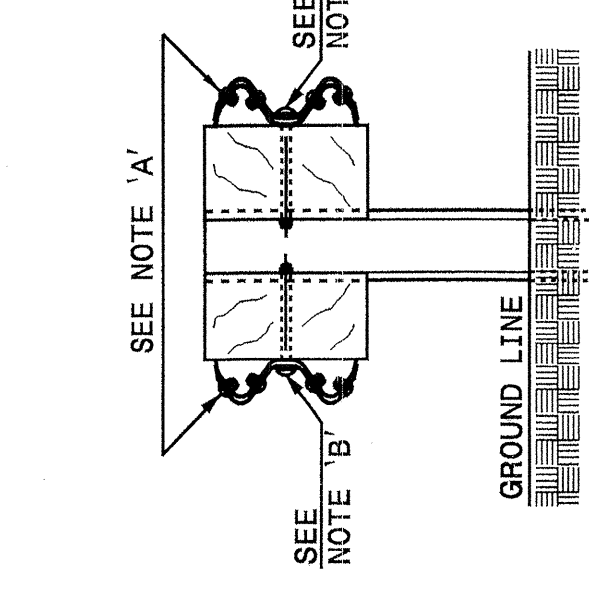
SHEET 3 OF 7
862D02

SHEET 3 OF 7
862D02



PLAN

ISOMETRIC VIEWS



FRONT

SIDE

FRONT

NOTES:
 A - 3/8" DIA. BUTTON HEAD SPLICE BOLT 1 1/4" LONG WITH STD. WASHER UNDER NUT (8 REQ. PER SPLICE JOINT).
 B - 5/8" DIA. BUTTON HEAD BOLT 7 1/2" / 9" LONG WITH NUT FOR BOLTING 6" / 8" Routed OFFSET BLOCK TO STEEL POSTS OR 5/8" DIA. BUTTON HEAD BOLT 18" LONG WITH STD. WASHER UNDER NUT FOR BOLTING TO WOOD POSTS (1 REQ. PER LOCATION)
 C - FIELD PUNCHING OF HOLES INTO GUARDRAIL SHALL BE AS DIRECTED BY THE ENGINEER.

TYPICAL GUARDRAIL AND GUARDRAIL POST ALTERNATIVES

STATE OF NORTH CAROLINA
 DEPT. OF TRANSPORTATION
 DIVISION OF HIGHWAYS
 RALEIGH, N.C.

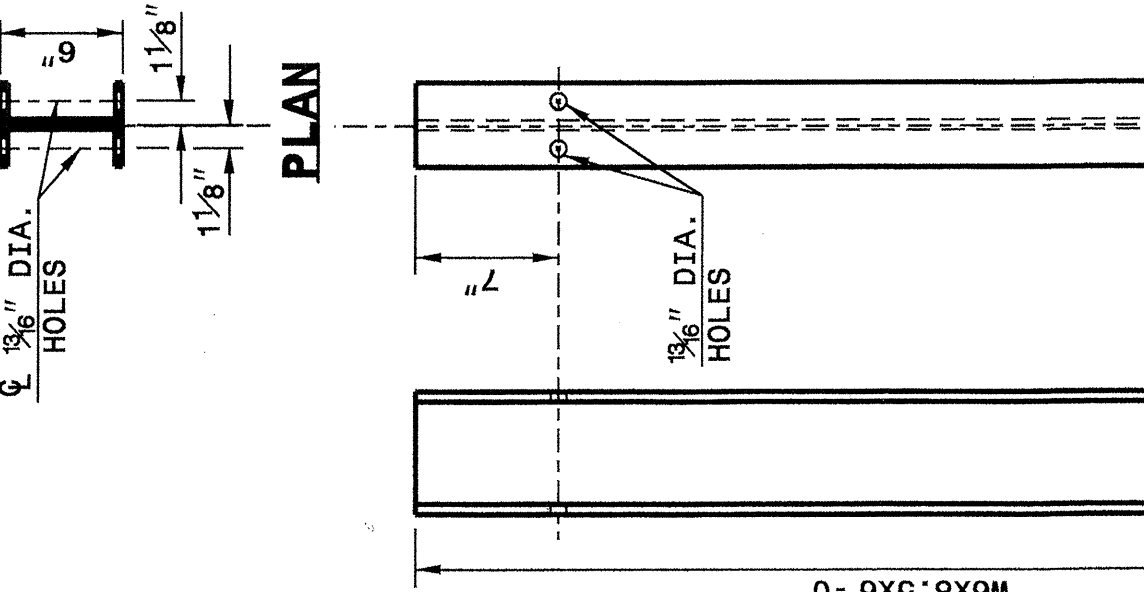
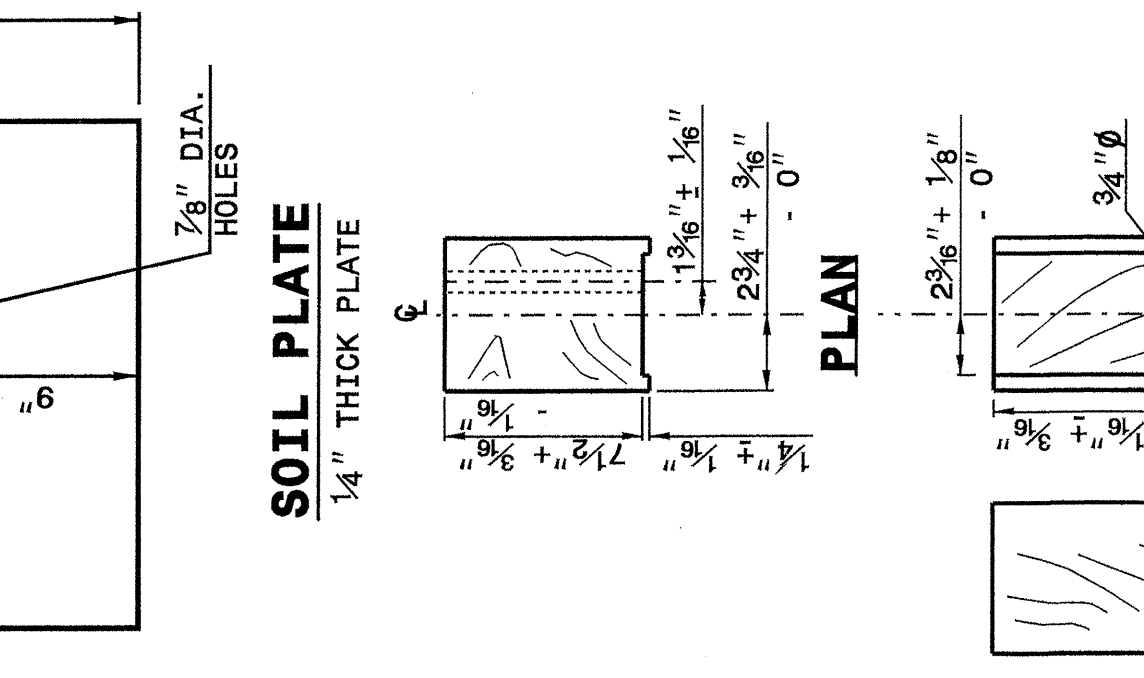
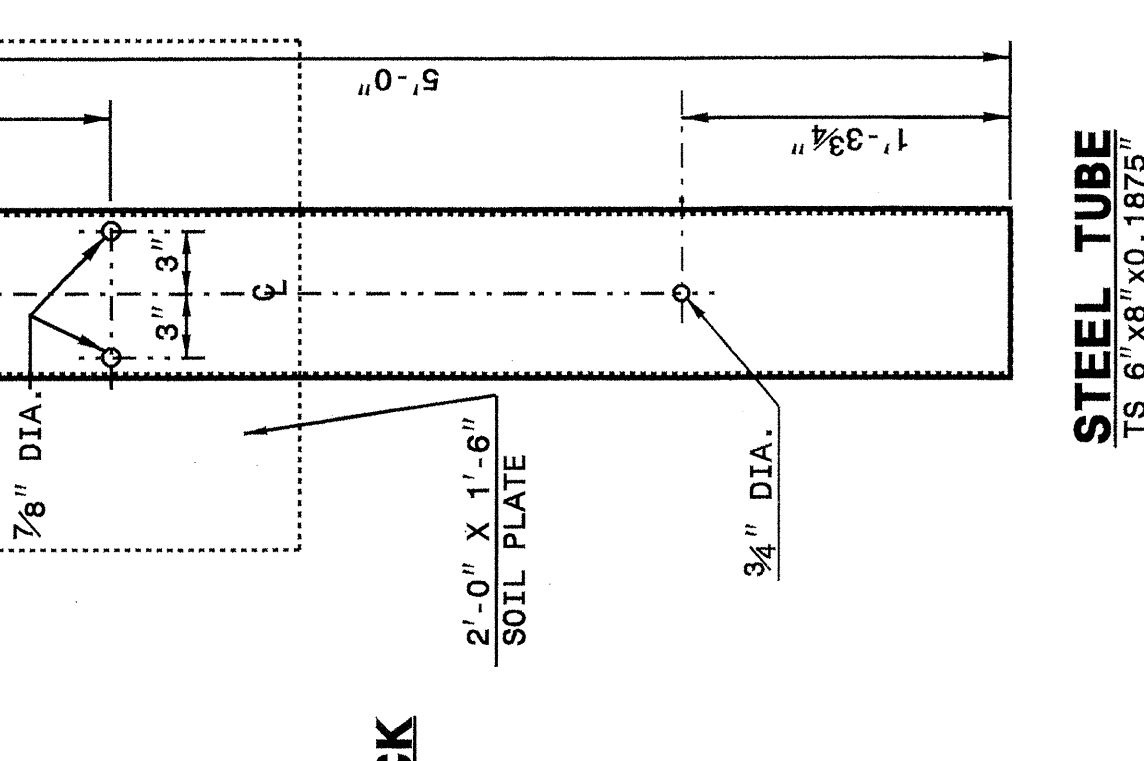
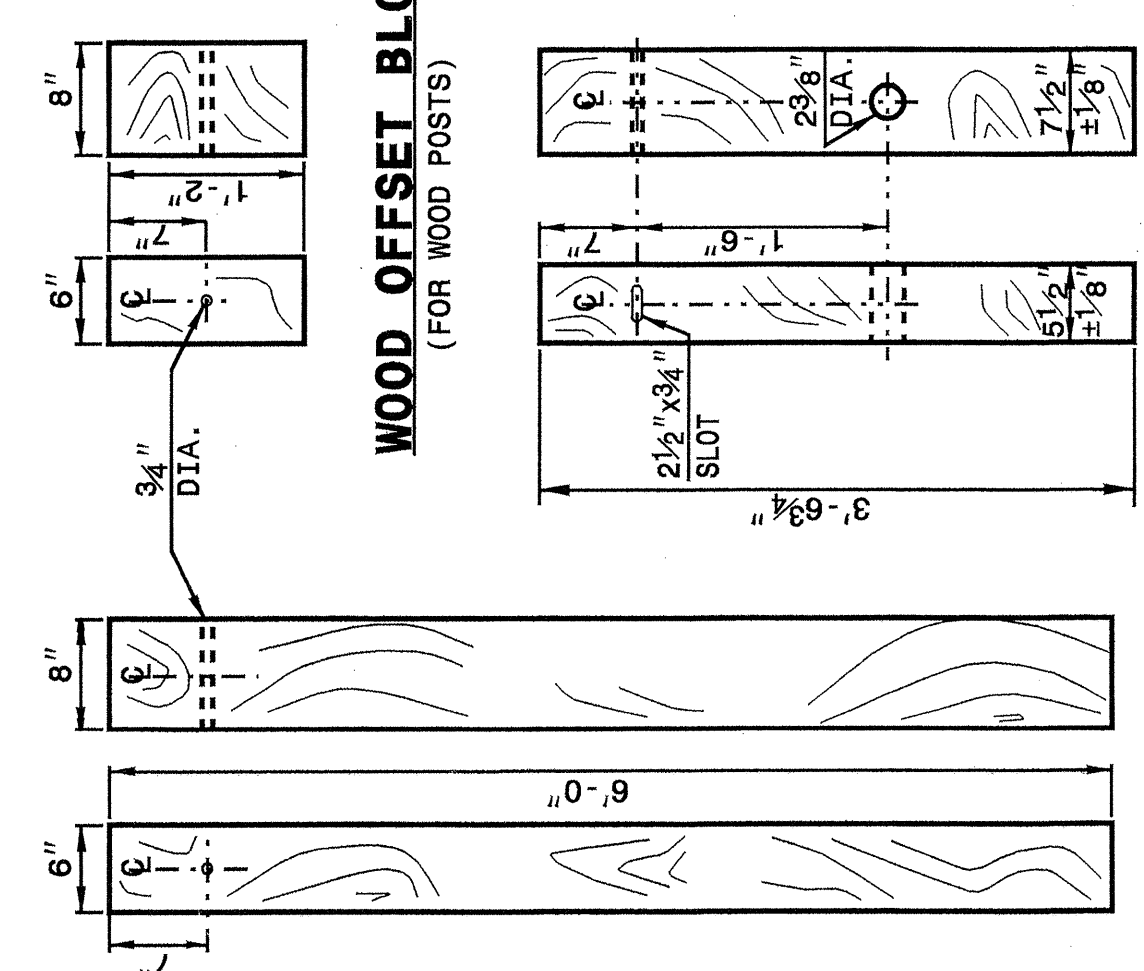
STATE OF NORTH CAROLINA
 DEPT. OF TRANSPORTATION
 DIVISION OF HIGHWAYS
 RALEIGH, N.C.

ENGLISH DETAIL DRAWING FOR
GUARDRAIL INSTALLATION

ENGLISH DETAIL DRAWING FOR
GUARDRAIL INSTALLATION

SHEET 4 OF 7
862D02

SHEET 4 OF 7
862D02



WOOD OFFSET BLOCK
 (FOR WOOD POSTS)

ROUTED WOOD OFFSET BLOCK

STEEL POST

"W6" STEEL POST

SYSTEM PARTS

DESIGN SERVICES UNIT
 STANDARDS AND SPECIAL DESIGN
 Office 919-250-4128 FAX 919-250-4119

SEE PLATE FOR TITLE

ORIGINAL BY: 2002 STD.862.02 DATE: 02-09-03
 MODIFIED BY: E.F. WARD DATE: 3-03
 CHECKED BY: C. Perry DATE: 3-03
 FILE SPEC.: /usr/stds/02todet/11/english/86202/862d02.dgn

