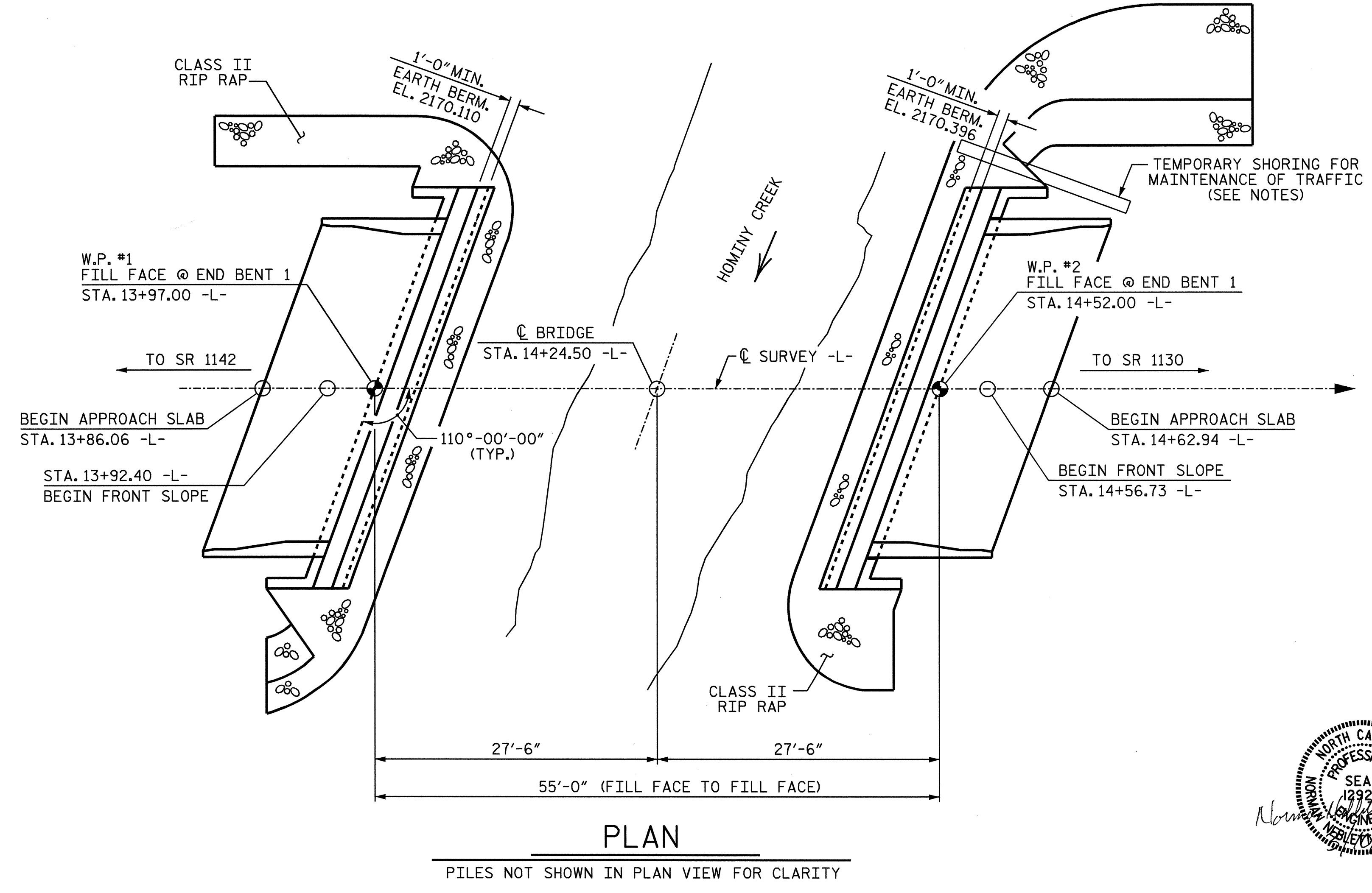
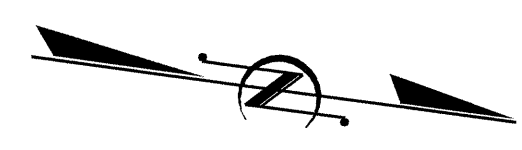
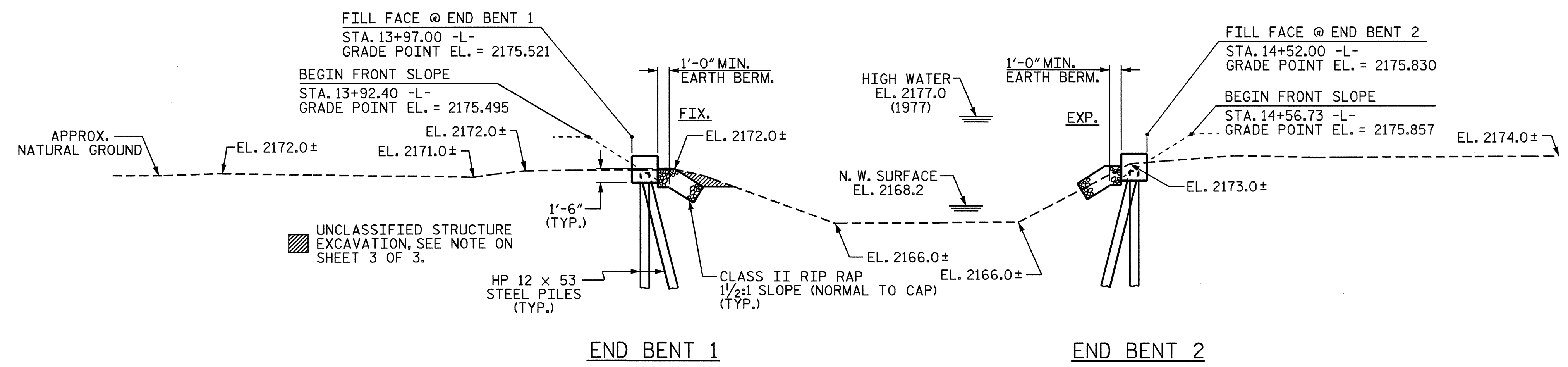


-1.5000% 0.5625%

P.I. = 13+40.00 -L-
 EL. = 2175.20
 V.C. = 100.00'

GRADE DATA -L-

2180
 2170
 2160



Professional Engineer Seal for Douglas R. Calhoun, No. 14855, State of North Carolina. Date: 3-10-04.

PROJECT No. B-3614
BUNCOMBE COUNTY
 STATION: 14+24.50 -L-
 SHEET 1 OF 3 REPLACES BRIDGE #300

STATE OF NORTH CAROLINA
 DEPARTMENT OF TRANSPORTATION
 RALEIGH

GENERAL DRAWING
 FOR BRIDGE ON SR 1141
 OVER HOMINY CREEK
 BETWEEN SR 1142
 AND SR 1130

REVISIONS						SHEET NO.
NO.	BY:	DATE:	NO.	BY:	DATE:	S-1
1			3			TOTAL SHEETS
2			4			17

DRAWN BY : T.A.H./A.L.M. DATE : 2/2/04
 CHECKED BY : D. R. CALHOUN DATE : 2/5/04