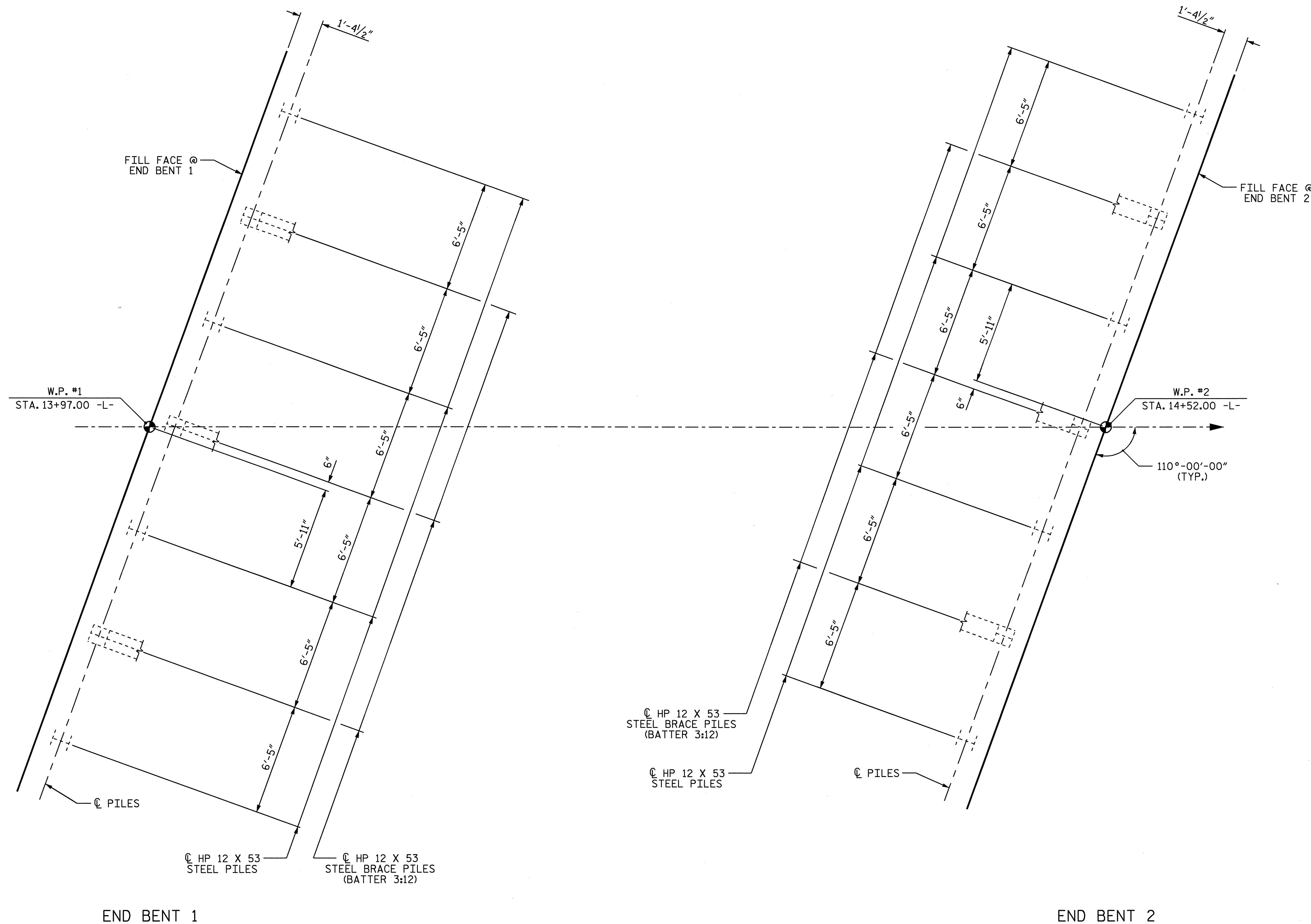


FOUNDATION NOTES

PILES FOR END BENT 1 AND 2 SHALL BE DRIVEN TO A MINIMUM BEARING CAPACITY OF 50 TONS/PILE.

WHEN DRIVING PILES, THE MAXIMUM BLOW COUNT SHALL NOT BE EXCEEDED.

STEEL PILE POINTS WITH TEETH ARE REQUIRED FOR PILES AT END BENT 1. SEE SPECIAL PROVISION FOR STEEL PILE POINTS.



FOUNDATION LAYOUT

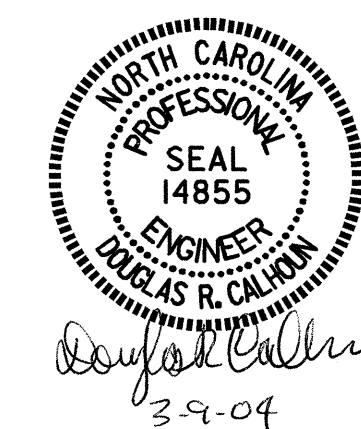
ALL DIMENSIONS LOCATING PILES ARE TO PILE CENTERLINES

PROJECT NO. B-3614
BUNCOMBE COUNTY
 STATION: 14+24.50 -L-

SHEET 2 OF 3

STATE OF NORTH CAROLINA
 DEPARTMENT OF TRANSPORTATION
 RALEIGH

GENERAL DRAWING
 FOR BRIDGE ON SR 1141
 OVER HOMINY CREEK
 BETWEEN SR 1142
 AND SR 1130



REVISIONS						SHEET NO.
NO.	BY:	DATE:	NO.	BY:	DATE:	S-2
1			3			TOTAL SHEETS
2			4			17

DRAWN BY : T. A. HARRIS DATE : 2/2/04
 CHECKED BY : D. R. CALHOUN DATE : 2/5/04