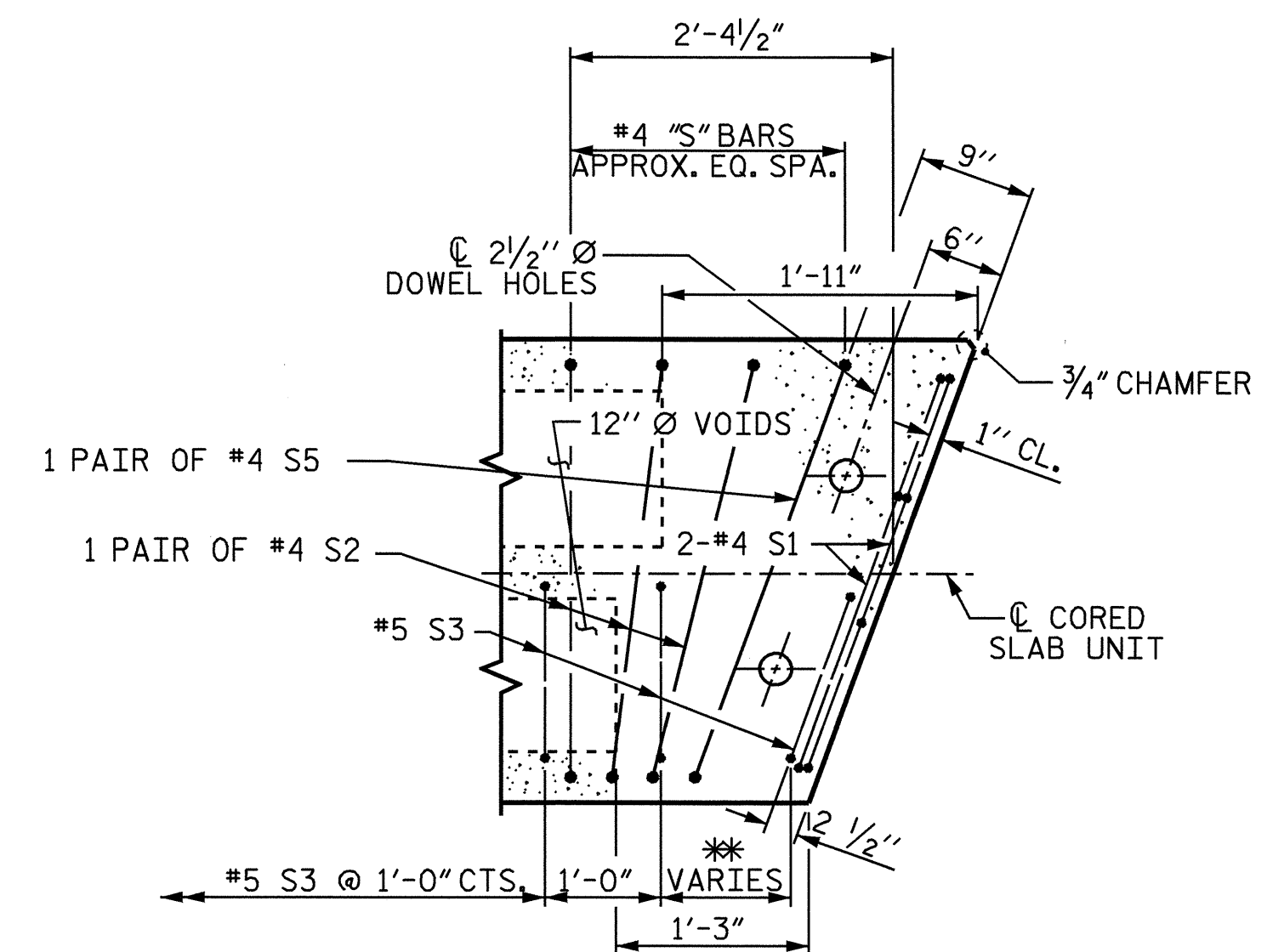


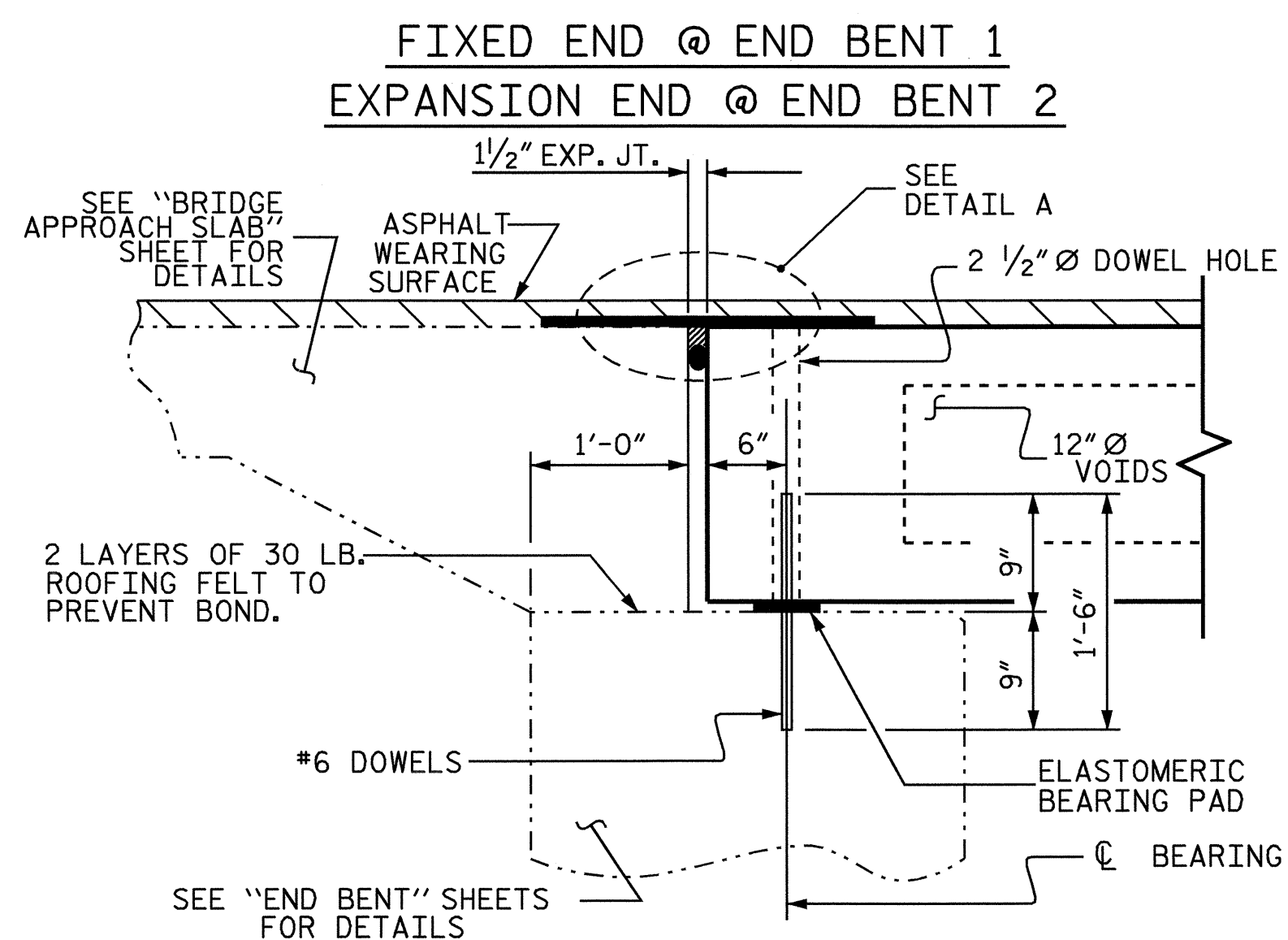
HALF SECTION @ INTERMEDIATE DIAPHRAGMS      HALF SECTION @ 1'-0" Ø VOIDS

**TYPICAL SECTION**

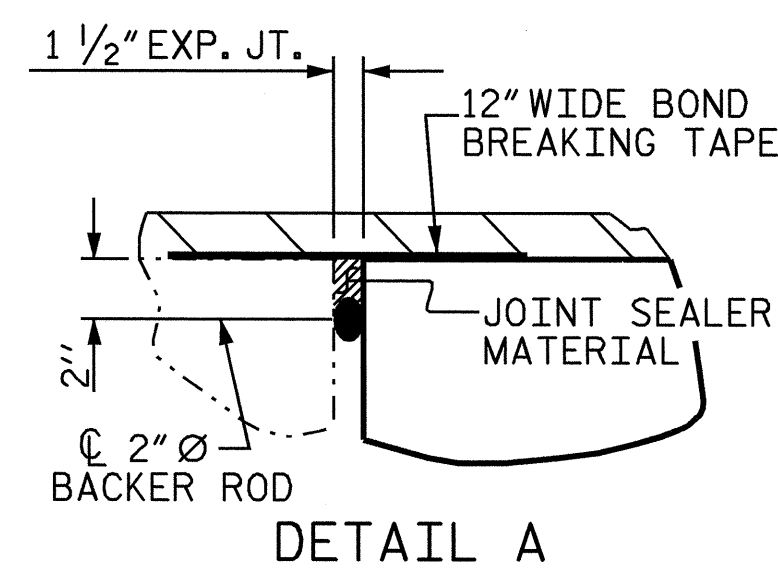


**PART PLAN-EXTERIOR SECTION**

NOTE: EXTERIOR SECTION SHOWN-INTERIOR SECTION SIMILAR EXCEPT OMIT S3 BARS.  
\*SEE "PLAN OF SPAN" FOR DIMENSION.

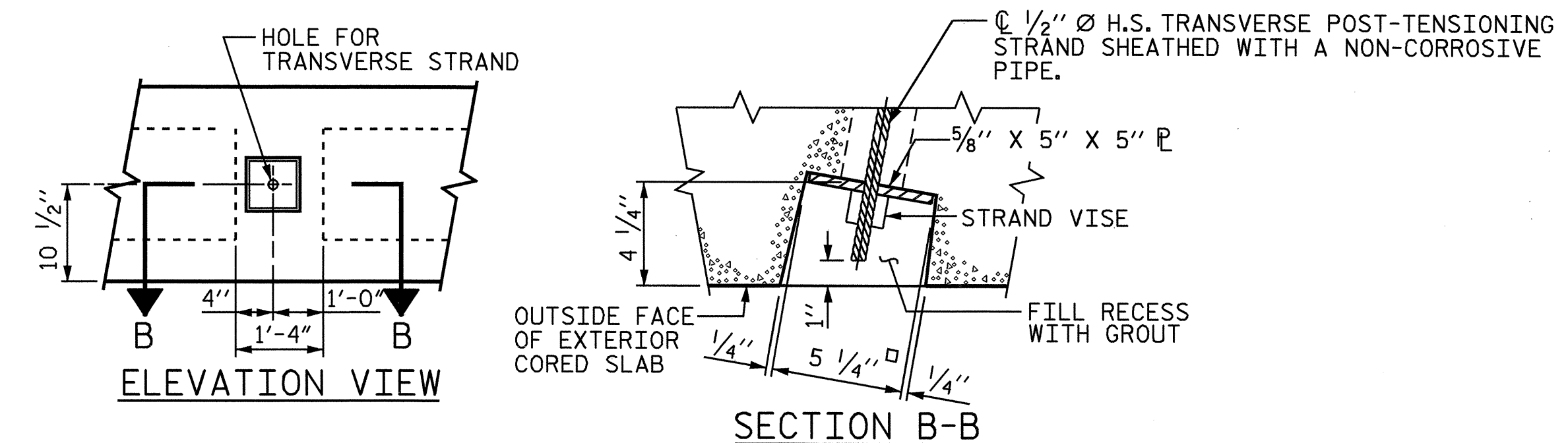


**SECTION AT END BENT**

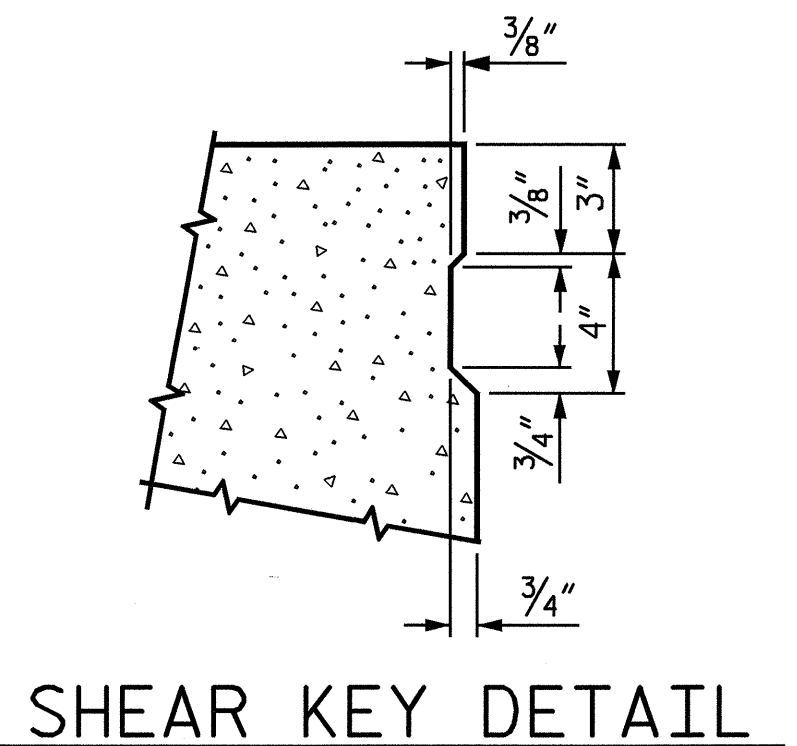


**DETAIL A**

☐ BOND SHALL BE BROKEN ON THESE STRANDS FOR A DISTANCE OF 4'-0" FROM END OF CORED SLAB UNIT, SEE STANDARD SPECIFICATIONS ARTICLE 1078-7.

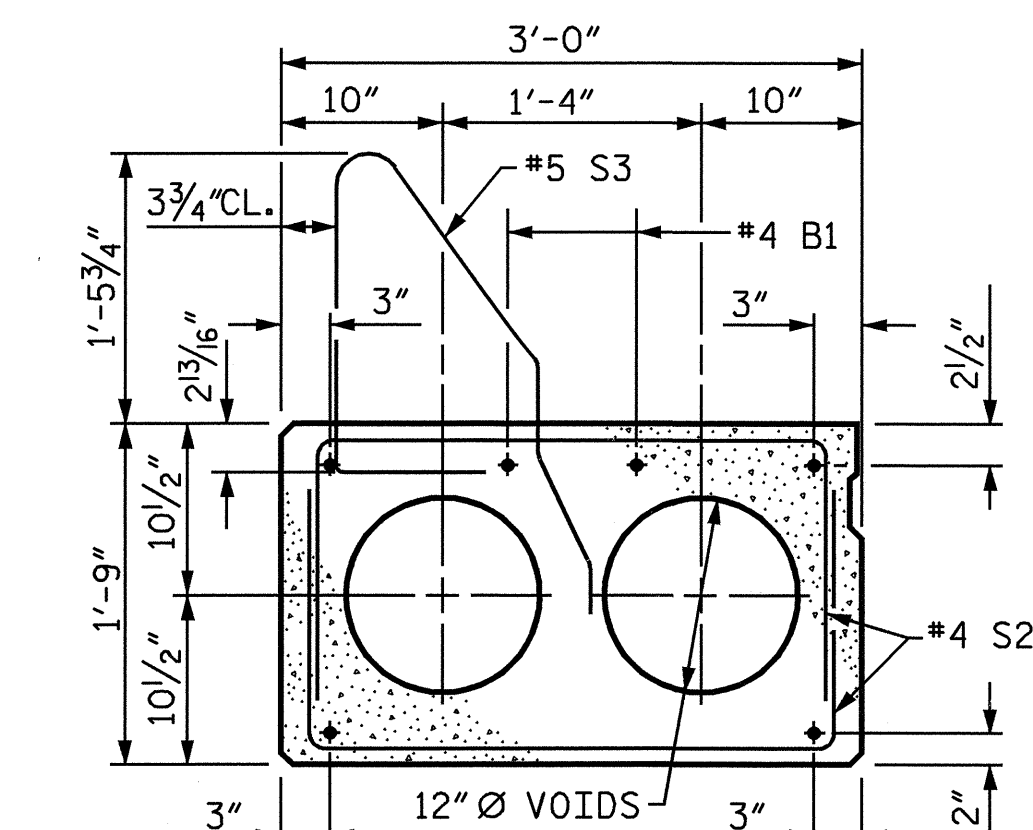


**GROUTED RECESS AT END OF POST-TENSIONED STRAND-CORED SLABS**



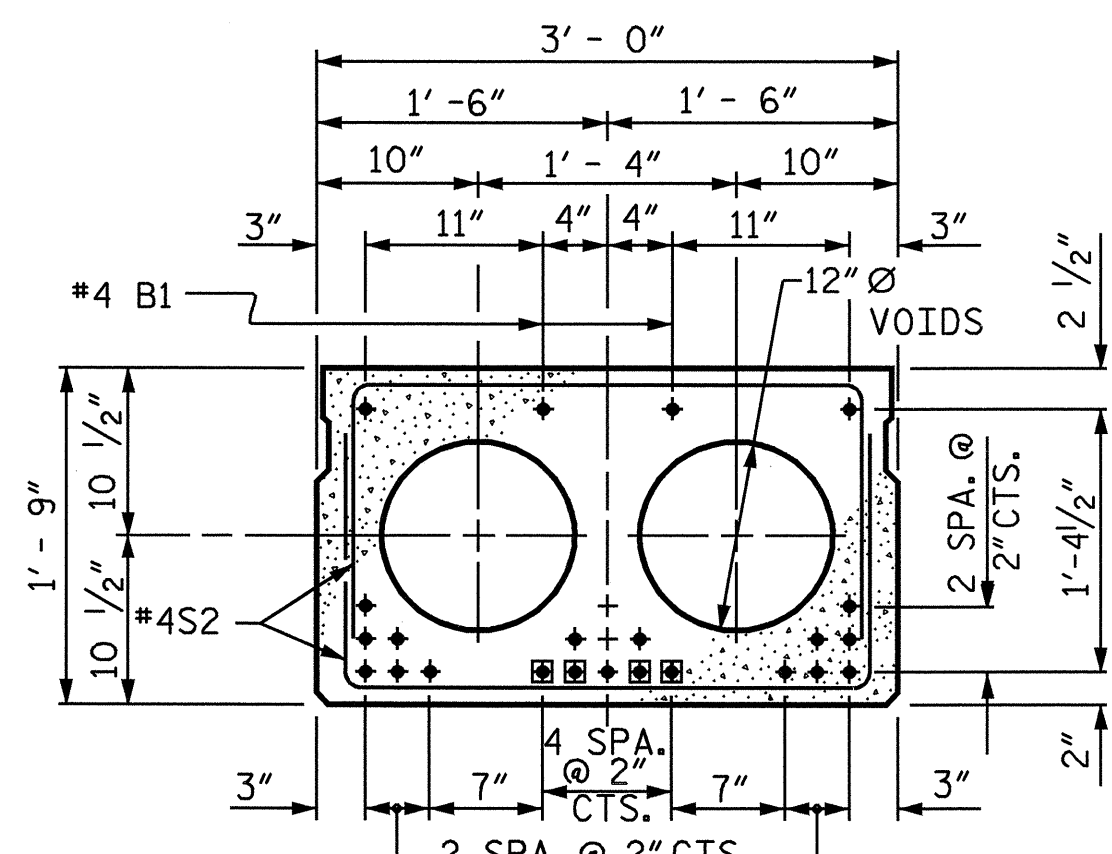
**SHEAR KEY DETAIL**

NOTE: OMIT SHEAR KEY ON OUTSIDE FACE OF EXTERIOR CORED SLABS.



**EXTERIOR SLAB SECTION**

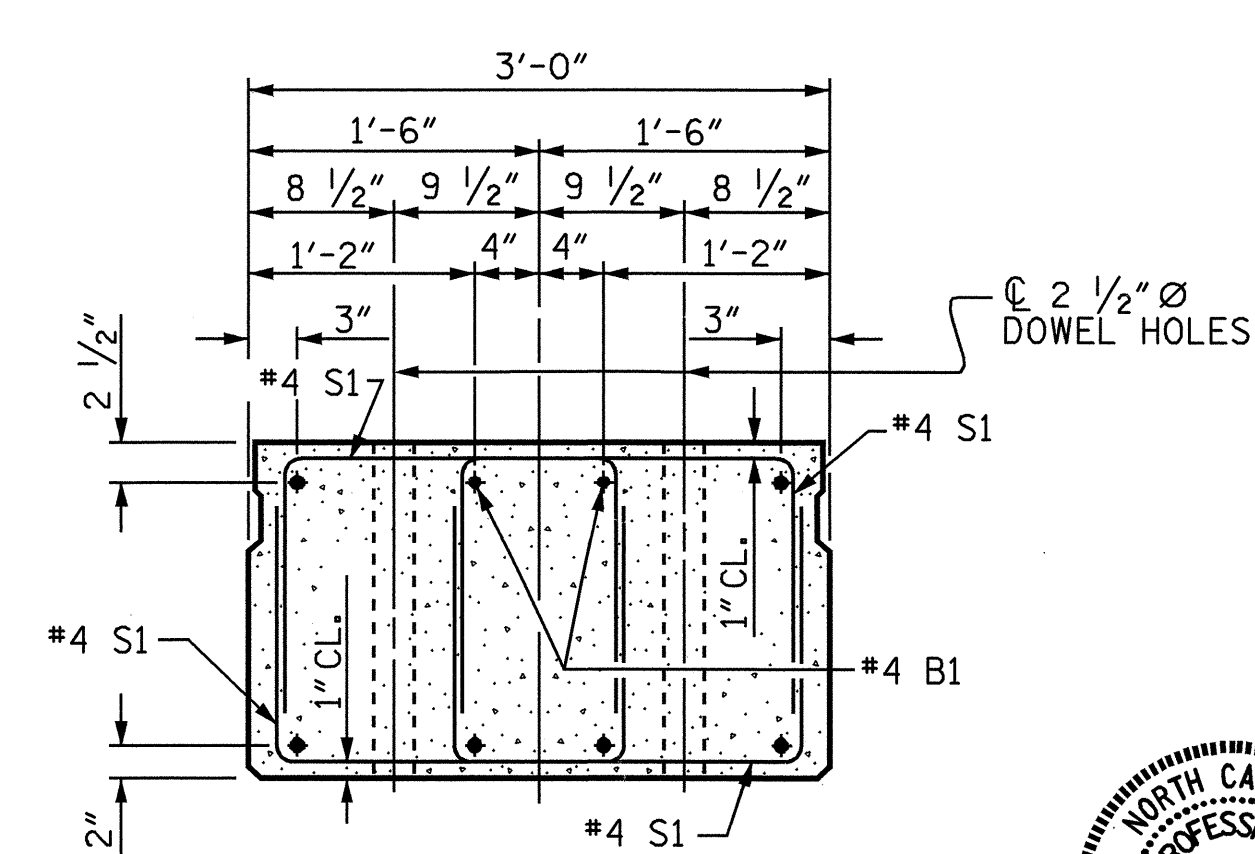
(FOR PRESTRESSED STRAND LAYOUT, SEE INTERIOR SLAB SECTION.)



**INTERIOR SLAB SECTION**

**1/2" Ø LOW RELAXATION STRAND LAYOUT**

(21 STRANDS, 4 SHEATHED)



**END ELEVATION**

SHOWING PLACEMENT OF DOUBLE STIRRUPS AND LOCATION OF DOWEL HOLES. (STRAND LAYOUT NOT SHOWN.) INTERIOR SLAB SECTION SHOWN-EXTERIOR SLAB SECTION SIMILAR EXCEPT SHEAR KEY LOCATION.



PROJECT NO. B-3614  
BUNCOMBE COUNTY  
STATION: 14+24.50 -L-

SHEET 1 OF 4

STATE OF NORTH CAROLINA  
DEPARTMENT OF TRANSPORTATION  
RALEIGH

STANDARD  
3'-0" X 1'-9"  
PRESTRESSED CONCRETE  
CORED SLAB UNIT

REVISIONS						SHEET NO.
NO.	BY:	DATE:	NO.	BY:	DATE:	5-4
1			3			TOTAL SHEETS 17
2			4			

DRAWN BY: A.L. MEADOWS      DATE: 10/17/02  
CHECKED BY: T.A. HARRIS      DATE: 6/17/03