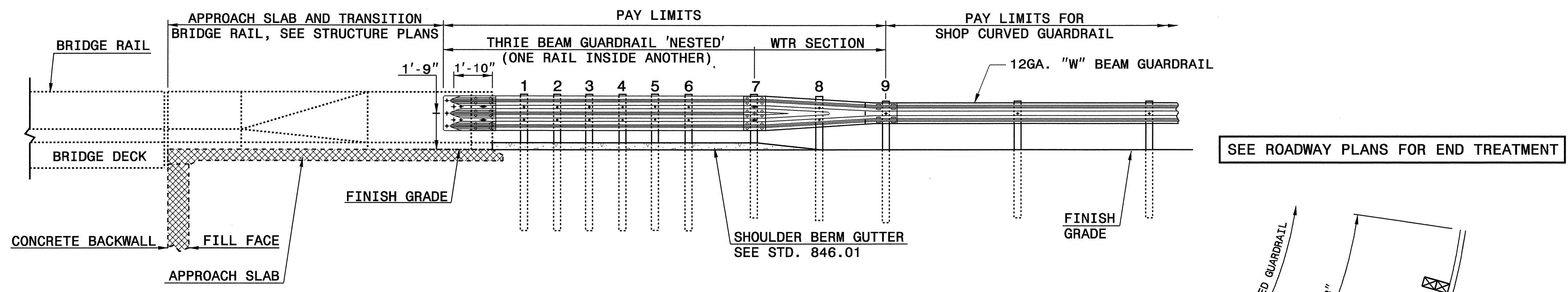


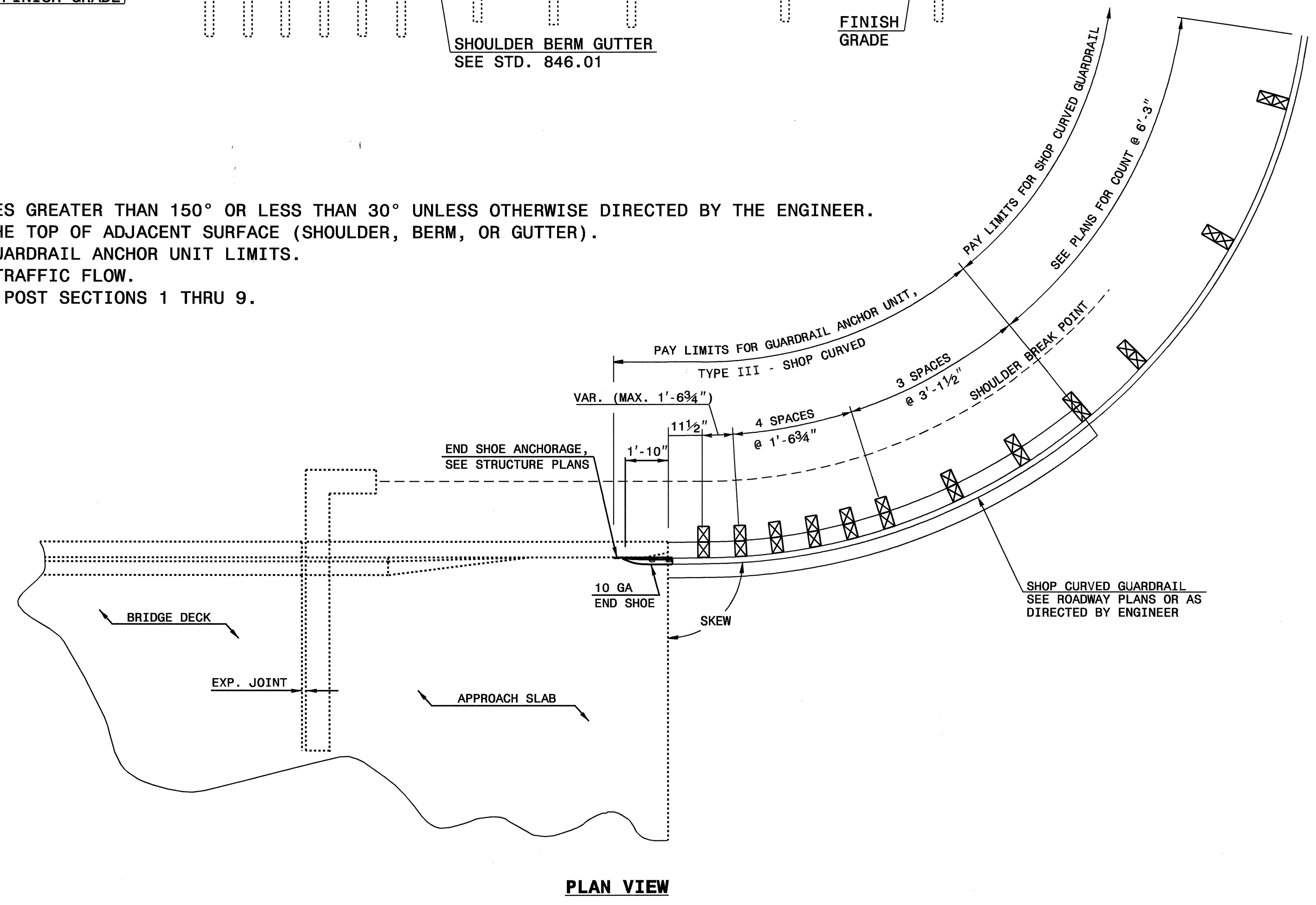
STATE OF NORTH CAROLINA  
DEPT. OF TRANSPORTATION  
DIVISION OF HIGHWAYS  
RALEIGH, N.C.

ENGLISH DETAIL DRAWING FOR  
**TYPE III - SHOP CURVED  
STRUCTURE ANCHOR UNIT**

SHEET 1 OF 1  
**TYPE III SC**



NOTE:  
 \*\*POST NOT REQUIRED FOR SKEW ANGLES GREATER THAN 150° OR LESS THAN 30° UNLESS OTHERWISE DIRECTED BY THE ENGINEER.  
 -MEASURE GUARDRAIL HEIGHT FROM THE TOP OF ADJACENT SURFACE (SHOULDER, BERM, OR GUTTER).  
 -USE NO STEEL POSTS WITHIN THE GUARDRAIL ANCHOR UNIT LIMITS.  
 -LAP JOINTS IN THE DIRECTION OF TRAFFIC FLOW.  
 -SEE STANDARD 862.03 SHEET 4 FOR POST SECTIONS 1 THRU 9.



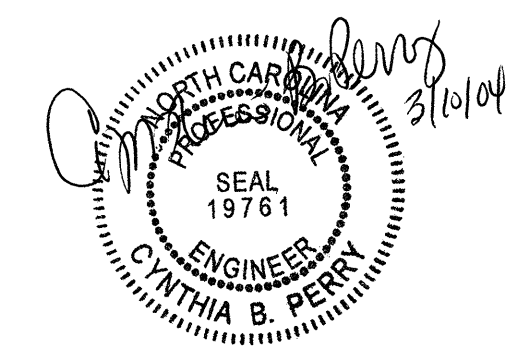
**GUARDRAIL ANCHOR UNIT, TYPE III - SHOP CURVED**

STATE OF NORTH CAROLINA  
DEPT. OF TRANSPORTATION  
DIVISION OF HIGHWAYS  
RALEIGH, N.C.

ENGLISH DETAIL DRAWING FOR  
**TYPE III - SHOP CURVED  
STRUCTURE ANCHOR UNIT**

SHEET 1 OF 1  
**TYPE III SC**

22-JAN-2004 08:49  
C:\special\det\std\stand\862stds\type.iii.sc.dgn  
P:\Spend



**DESIGN SERVICES UNIT  
STANDARDS AND SPECIAL DESIGN**  
Office 919-250-4128 FAX 919-250-4119

**SEE PLATE FOR TITLE**

ORIGINAL BY: E.E. WARD DATE: 1-15-02  
 MODIFIED BY: DATE: \_\_\_\_\_  
 CHECKED BY: DATE: 1-02  
 FILE SPEC.: ward:\sp\details\stand\862stds\typeiiisc.dgn