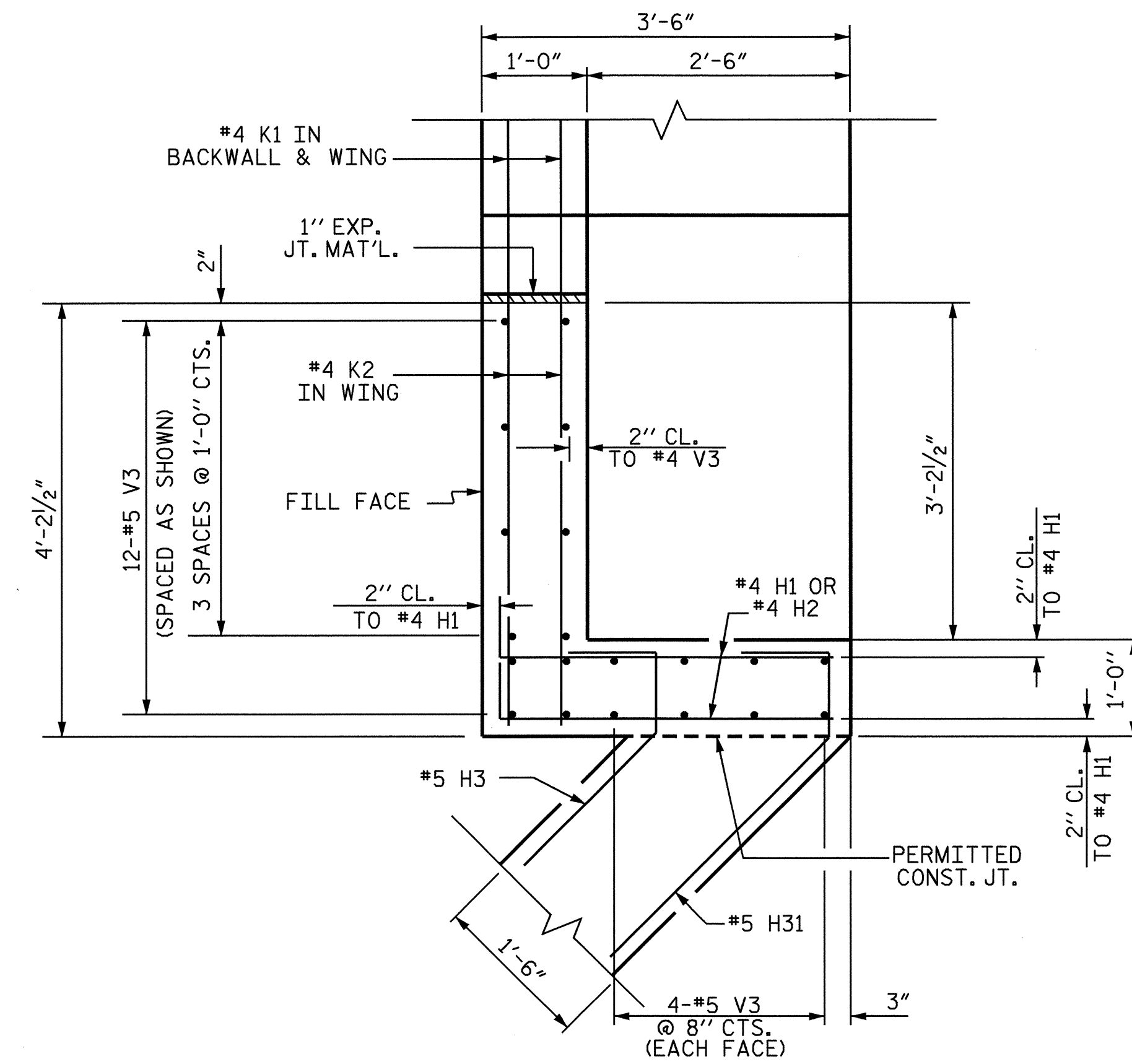
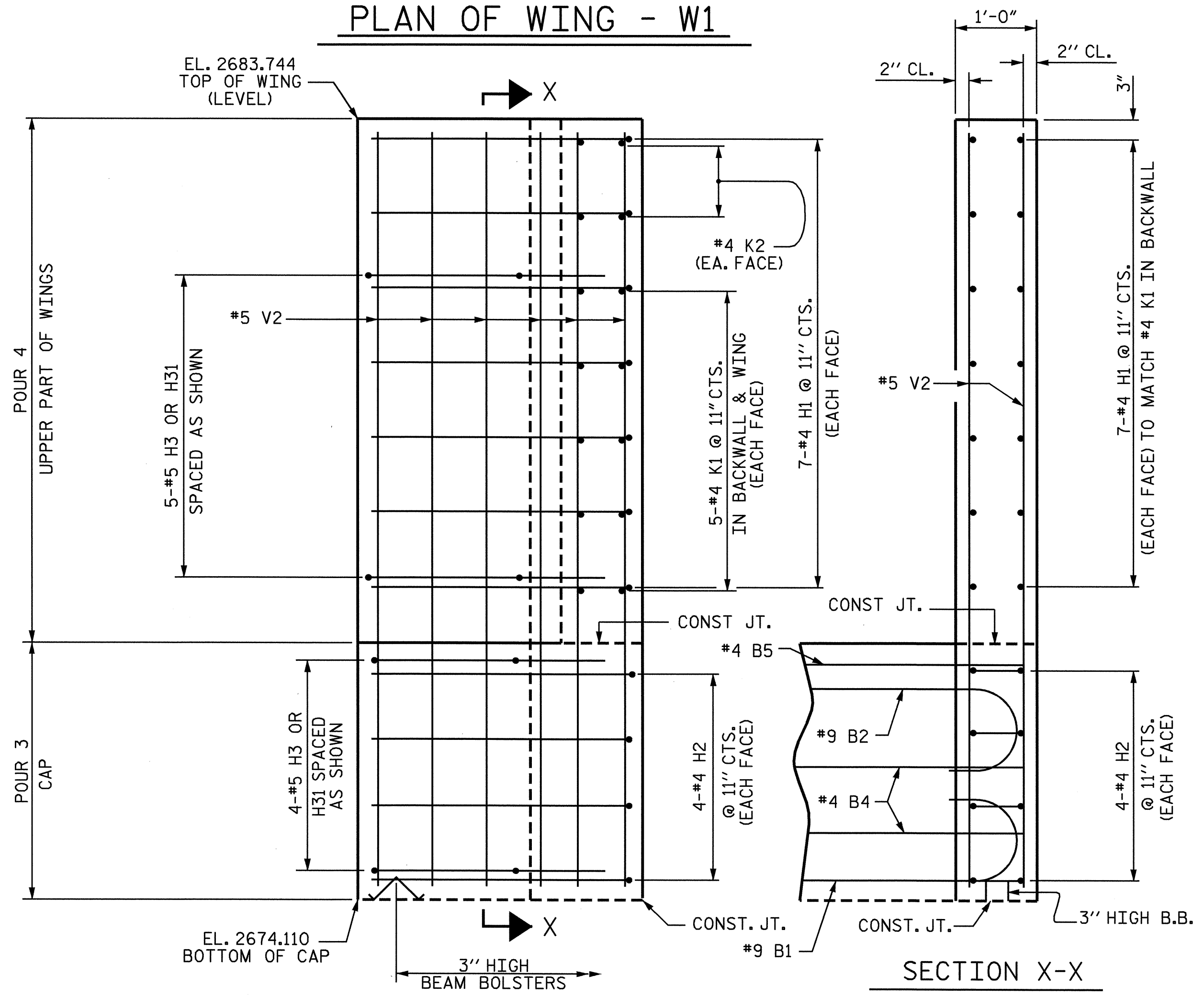


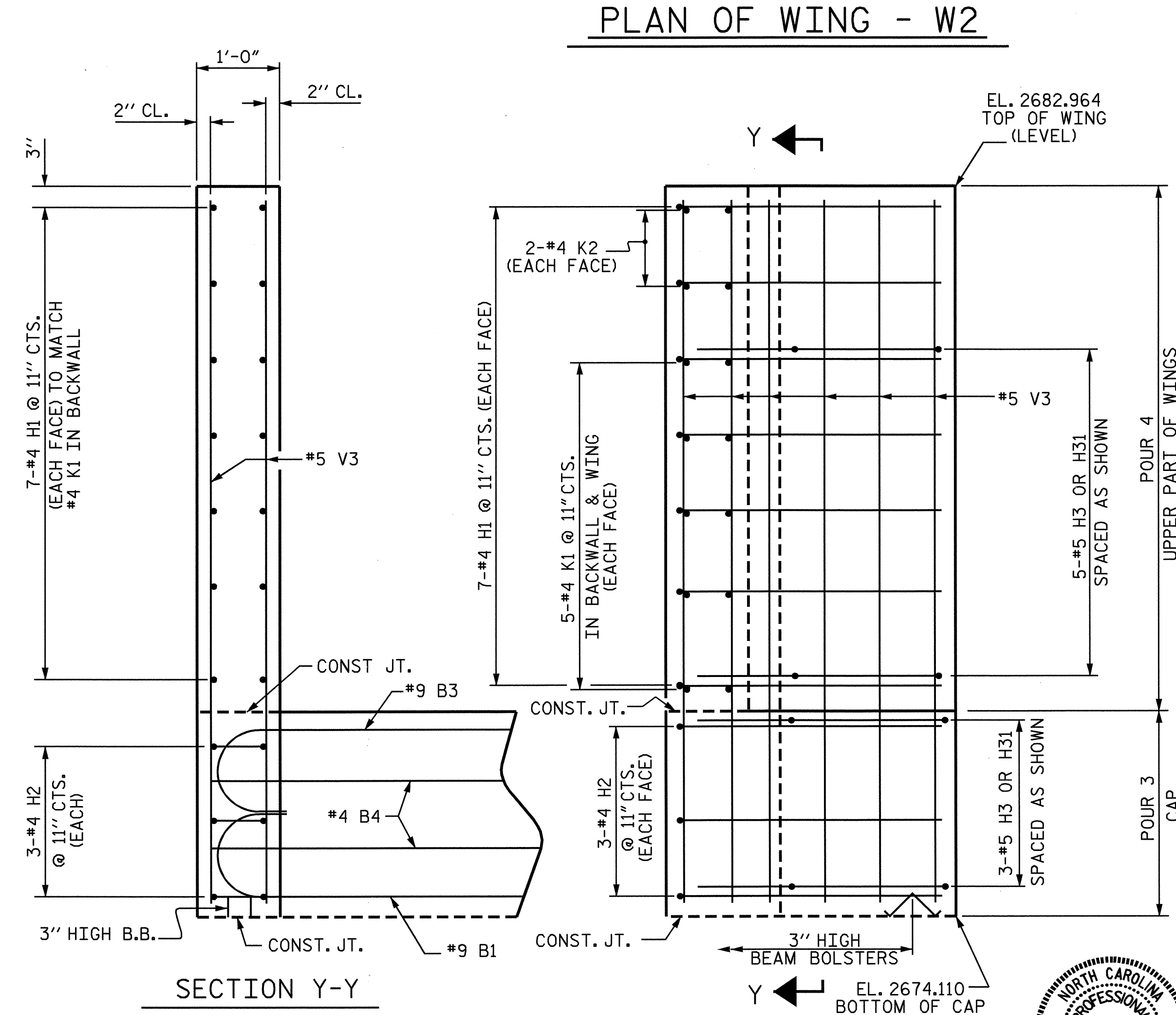
PLAN OF WING - W1



PLAN OF WING - W2



ELEVATION OF WING - W1

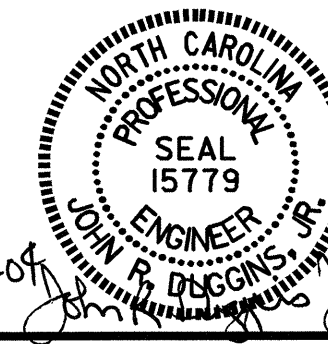


ELEVATION OF WING - W2

PROJECT NO. B-3607
 ASHE COUNTY
 STATION: 10+84+50 -L-
 SHEET 3 OF 7

STATE OF NORTH CAROLINA
 DEPARTMENT OF TRANSPORTATION
 RALEIGH

SUBSTRUCTURE
 END BENT 1



DRAWN BY: M. E. POOLE DATE: 03/2004
 CHECKED BY: J.R. DUGGINS DATE: 04/2004

24-MAR-2004 11:56
 W:\sdqudz\B3607\m\poole\Microstation\B3607.sd.E1.01.dgn
 mpool

REVISIONS				SHEET NO.
NO.	BY:	DATE:	NO.	DATE:
1			3	
2			4	

TOTAL SHEETS: 32