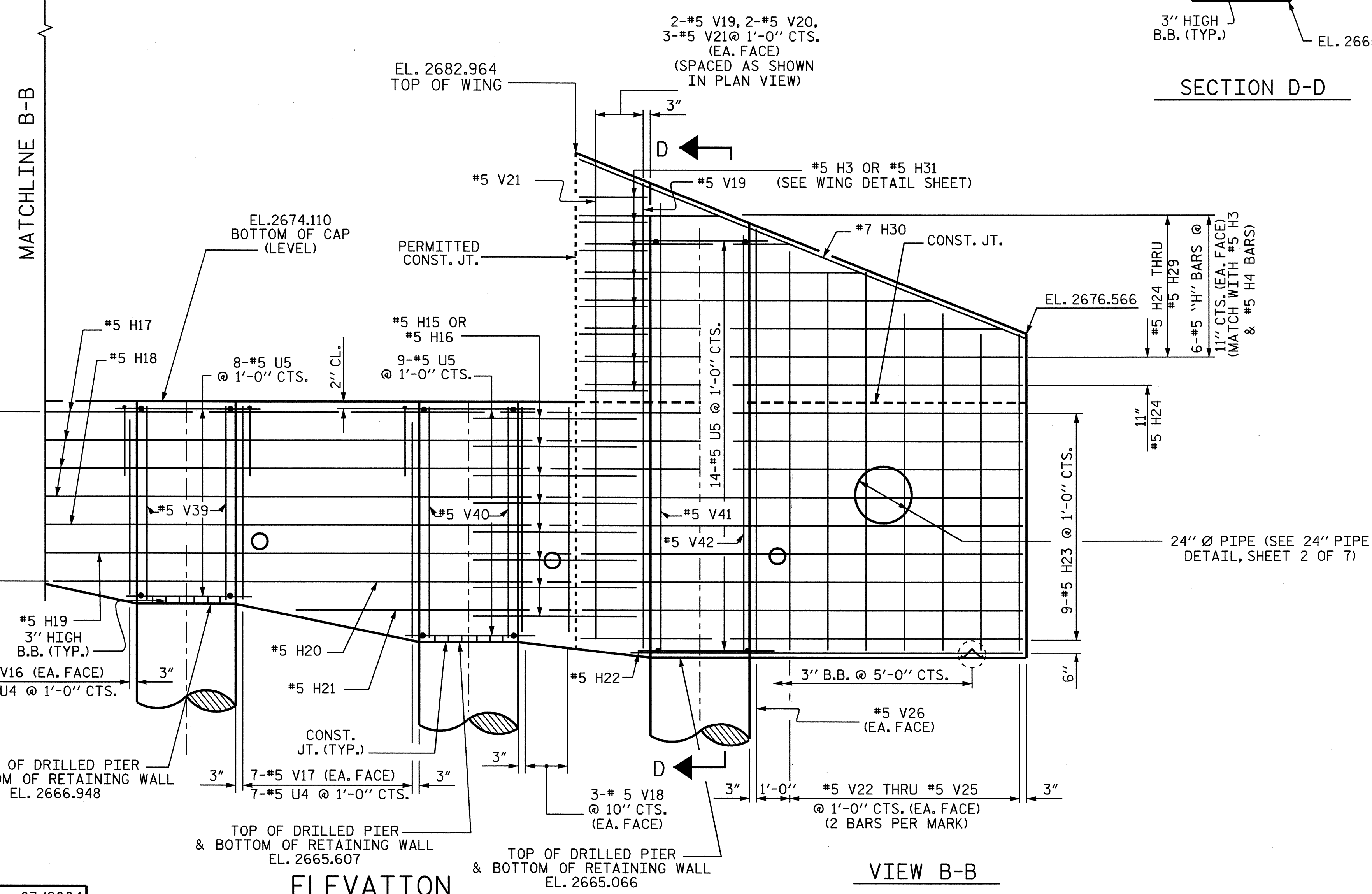


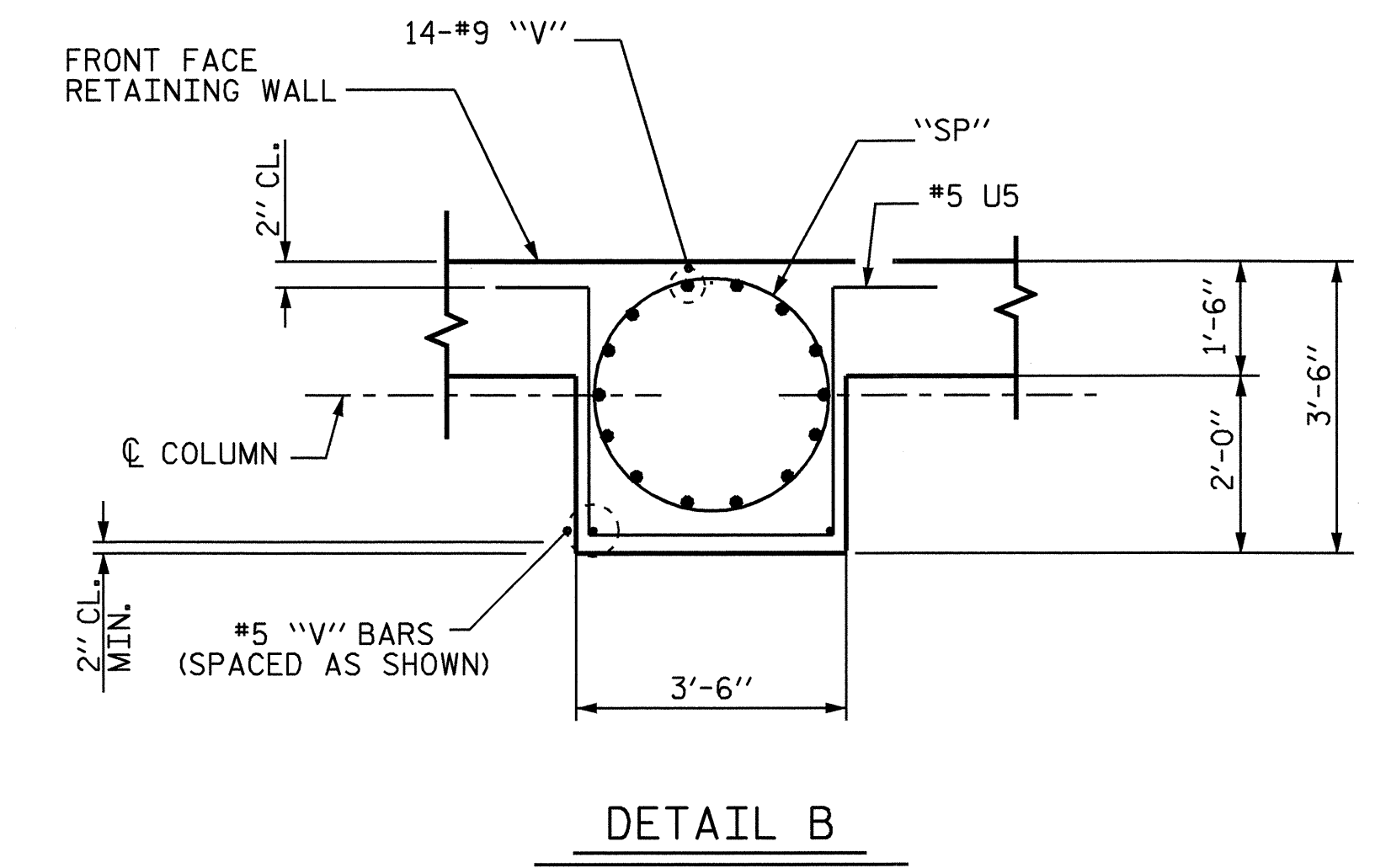
PLAN  
SPIRAL REINFORCING STEEL & #9 "M" OR "V" BARS NOT SHOWN FOR CLARITY

SECTION D-D



ELEVATION

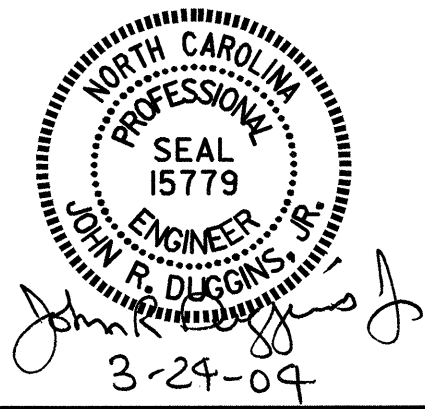
VIEW B-B



DETAIL B

PROJECT NO. B-3607  
 ASHE COUNTY  
 STATION: 10+87.50 -L-  
 SHEET 5 OF 7

STATE OF NORTH CAROLINA DEPARTMENT OF TRANSPORTATION RALEIGH					
SUBSTRUCTURE END BENT 1 RETAINING WALL LAYOUT					
REVISIONS					
NO.	BY:	DATE:	NO.	BY:	DATE:
1			3		
2			4		
					SHEET NO. S-20
					TOTAL SHEETS 32



DRAWN BY: M. E. POOLE DATE: 03/2004  
 CHECKED BY: J. R. DUGGINS DATE: 03/2004

24-MAR-2004 11:56  
 W:\sdg\gd2\B3607\mpoole\MLcrstation\B3607.sd.RW\_01.dgn  
 mpool

NC005

NC005