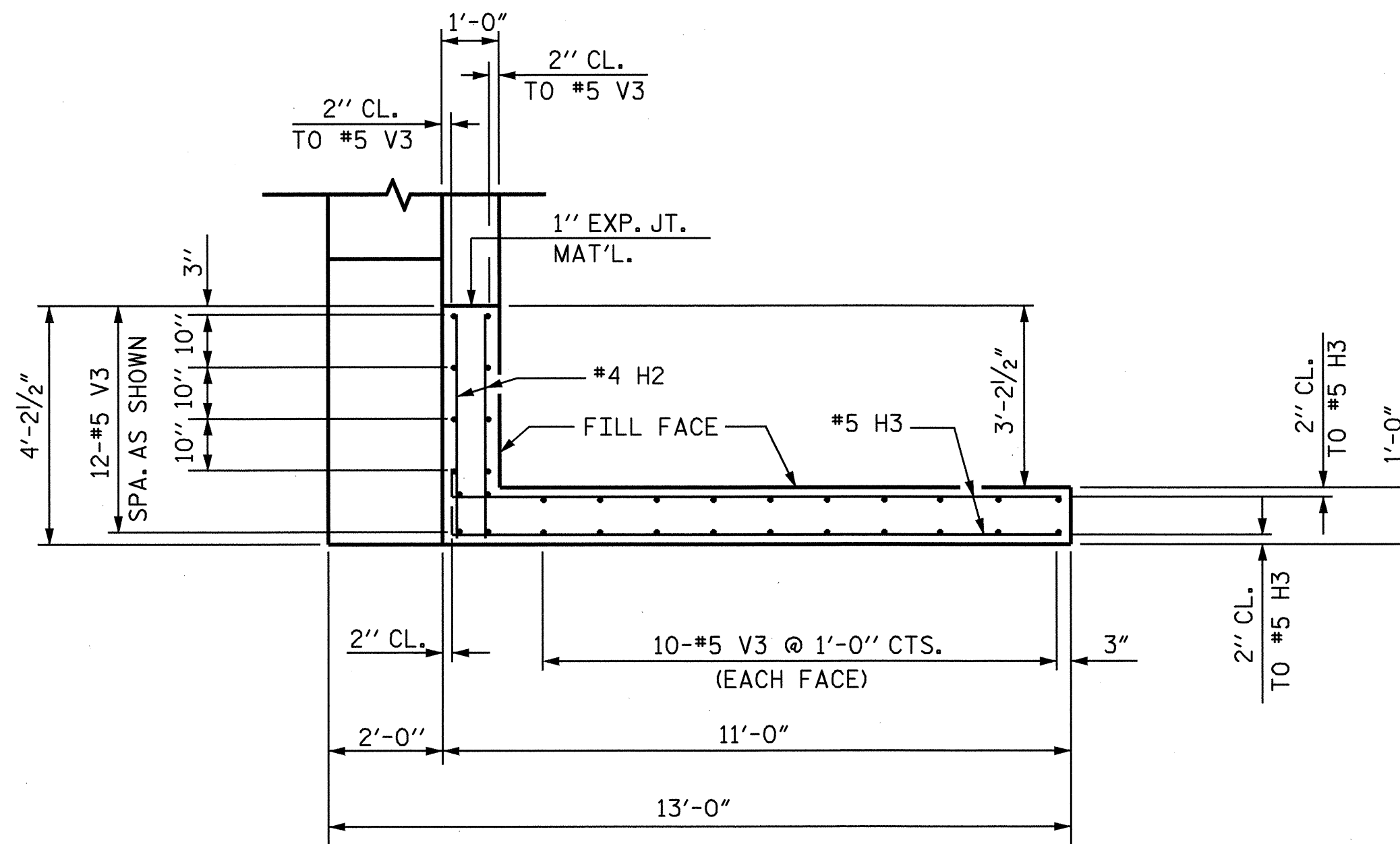
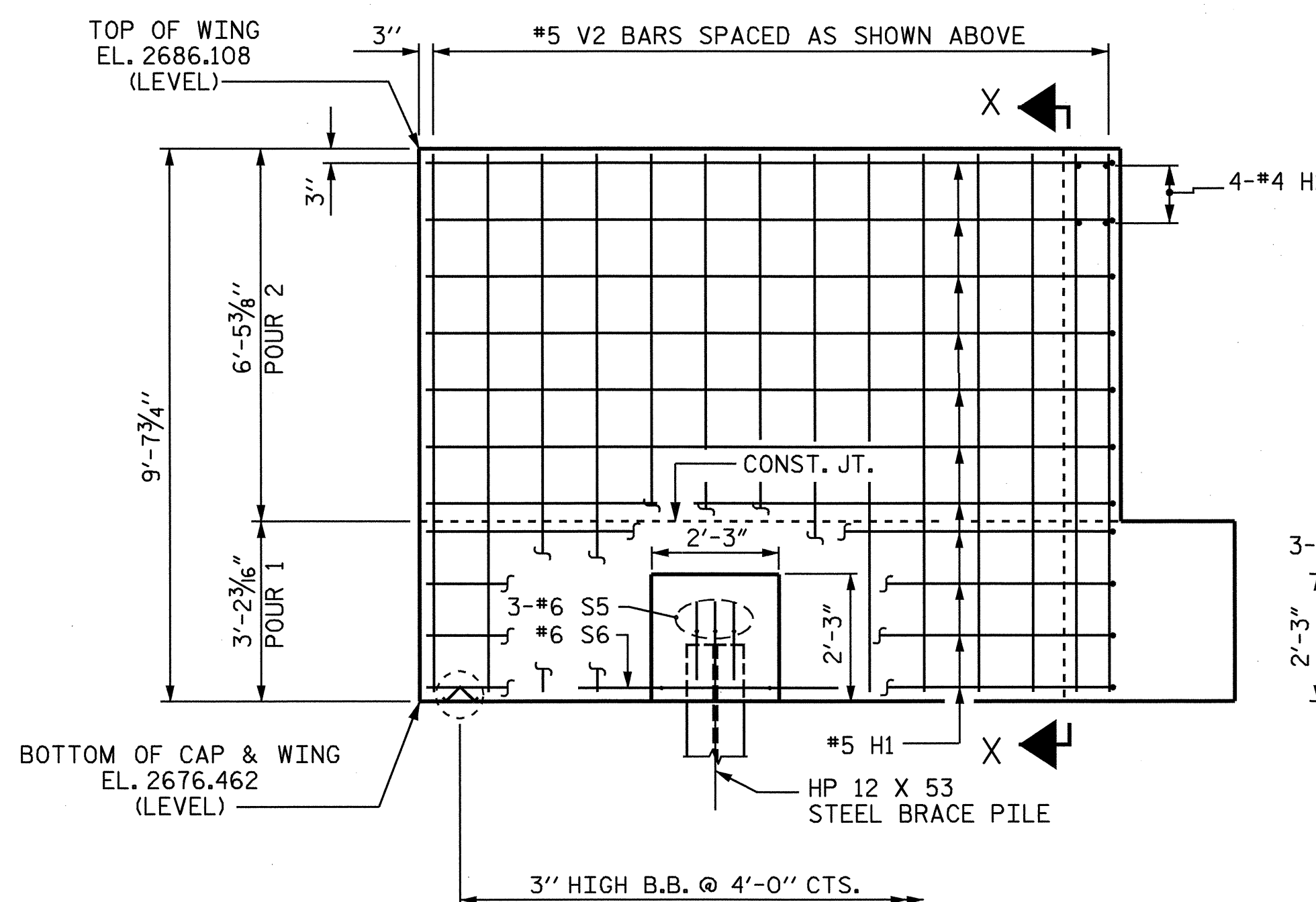


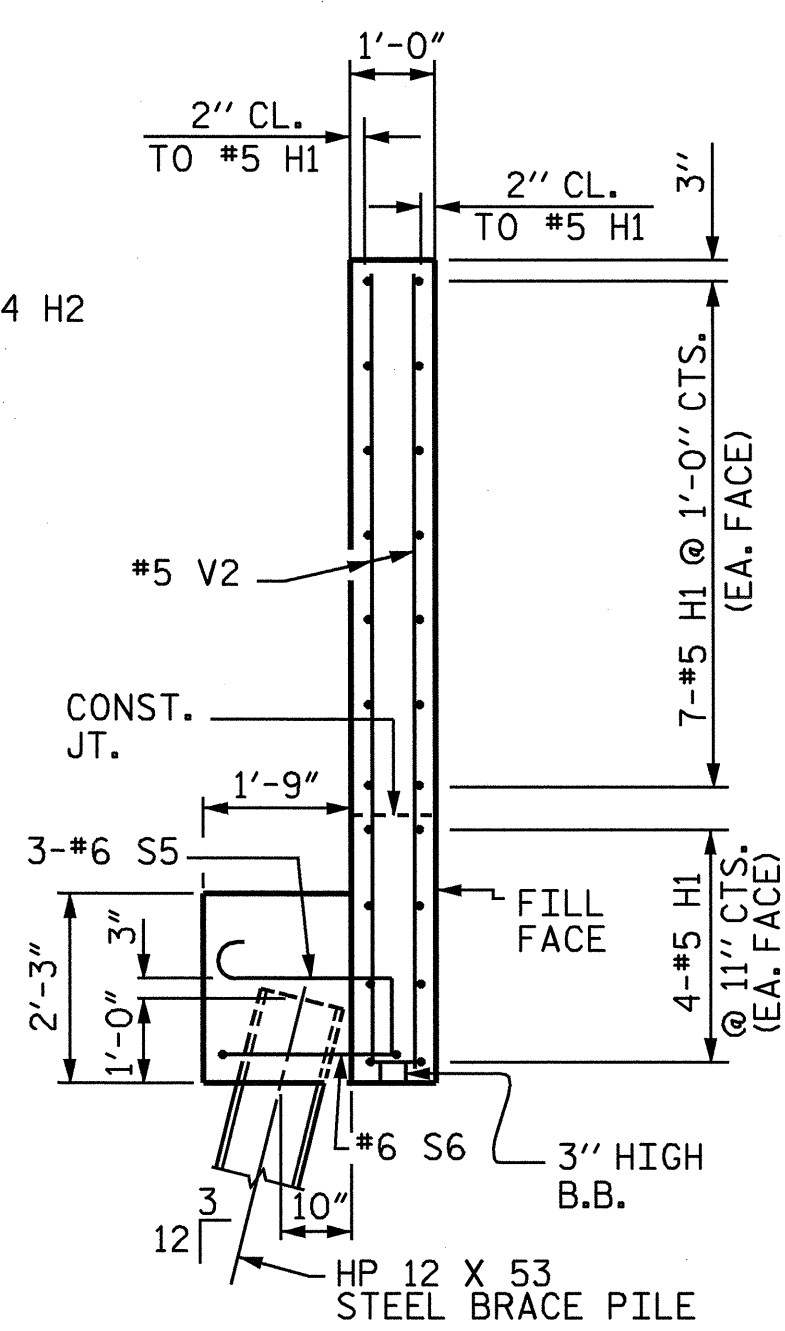
PLAN OF LEFT WING - W1



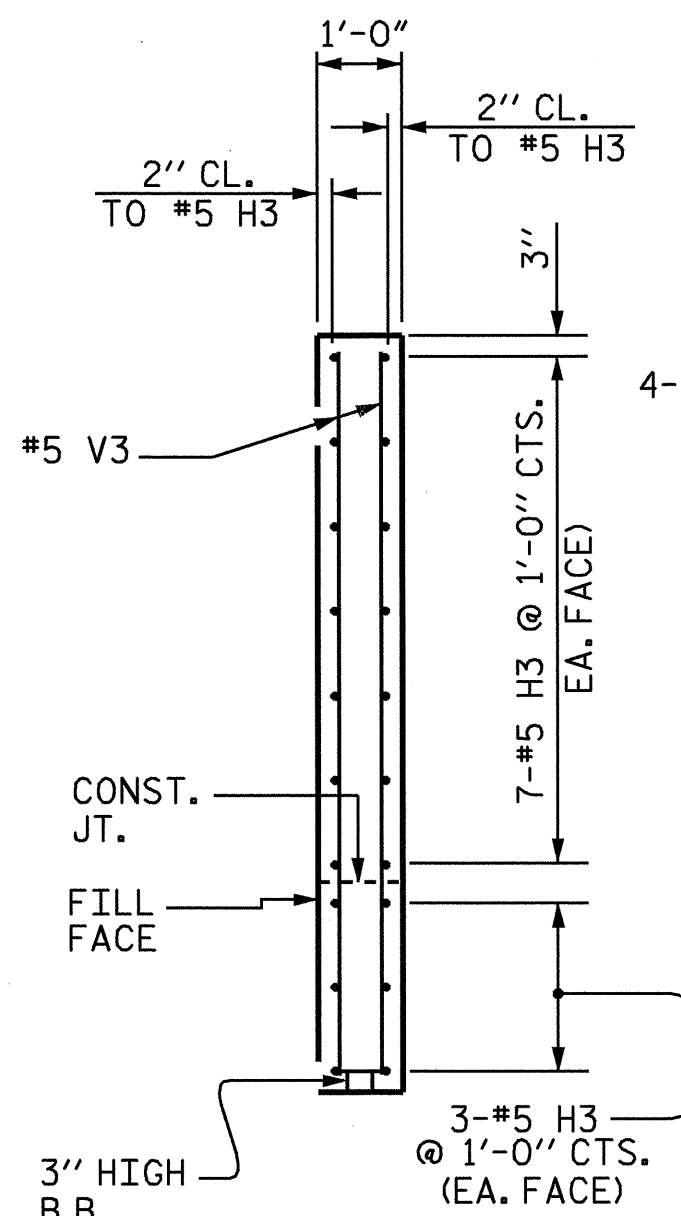
PLAN OF RIGHT WING - W2



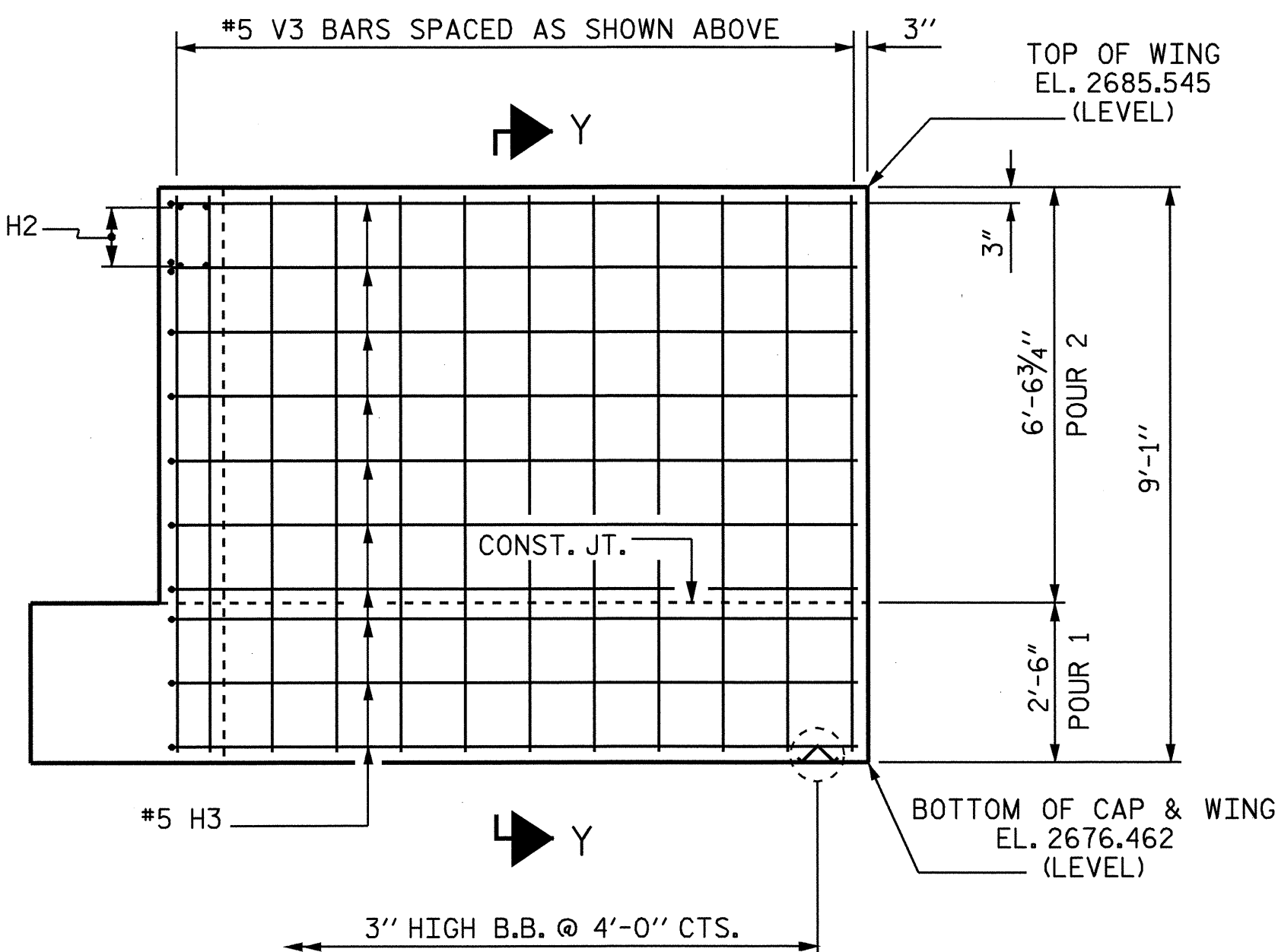
ELEVATION OF LEFT WING - W1



SECTION X-X



SECTION Y-Y



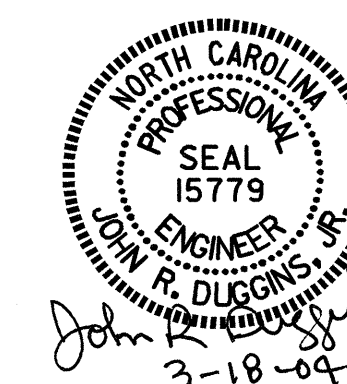
ELEVATION OF RIGHT WING - W2

PROJECT NO. B-3607  
 ASHE COUNTY  
 STATION: 10+87.50 -L-

SHEET 2 OF 3

STATE OF NORTH CAROLINA  
 DEPARTMENT OF TRANSPORTATION  
 RALEIGH

SUBSTRUCTURE  
 END BENT 2



DRAWN BY: M. POOLE DATE: 12-03  
 CHECKED BY: D. HODGE DATE: 02-04

12-MAR-2004 14:02  
 W:\sdquadz\b3607\mpoole\Microstation\B3607.sd.E2.01.dgn  
 dahodge

REVISIONS						SHEET NO.	
NO.	BY:	DATE:	NO.	BY:	DATE:	S-24	
1			3			TOTAL SHEETS	
2			4			32	

NCBDS