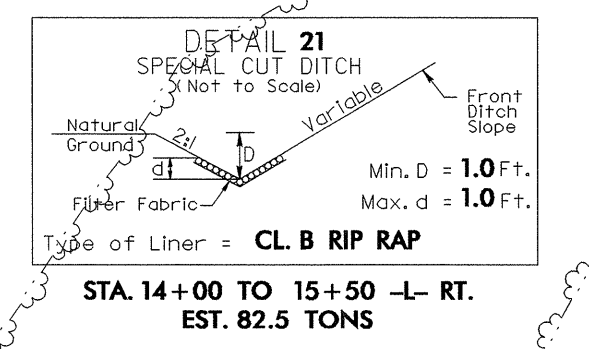
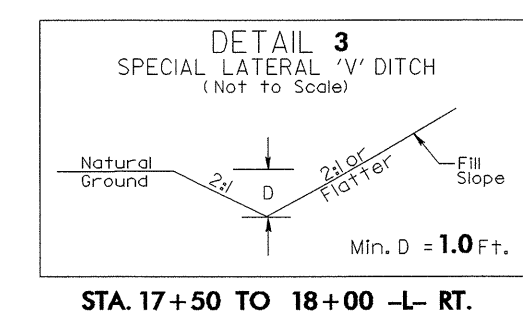
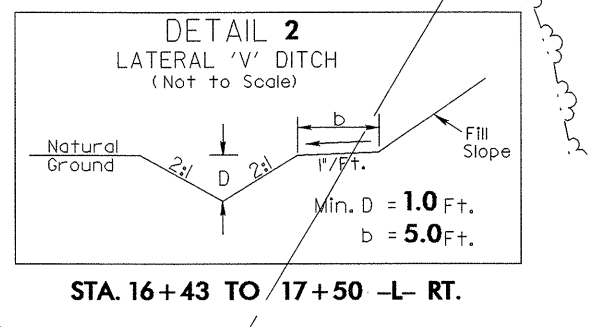
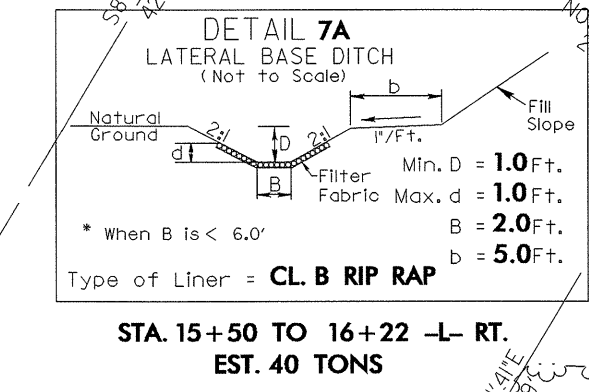
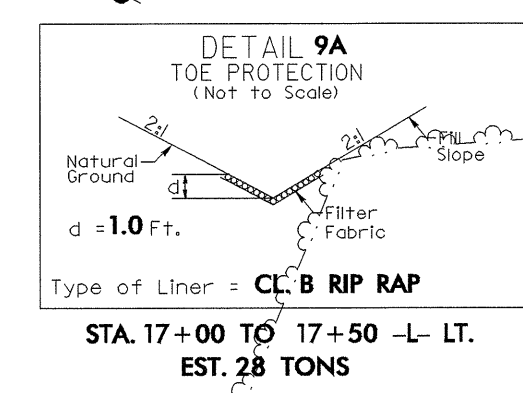
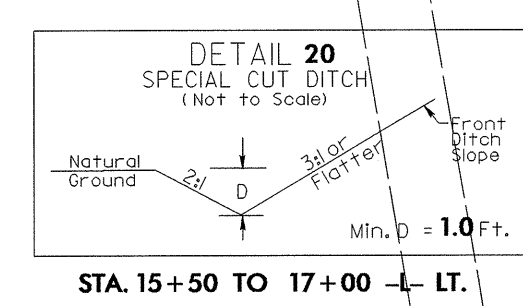
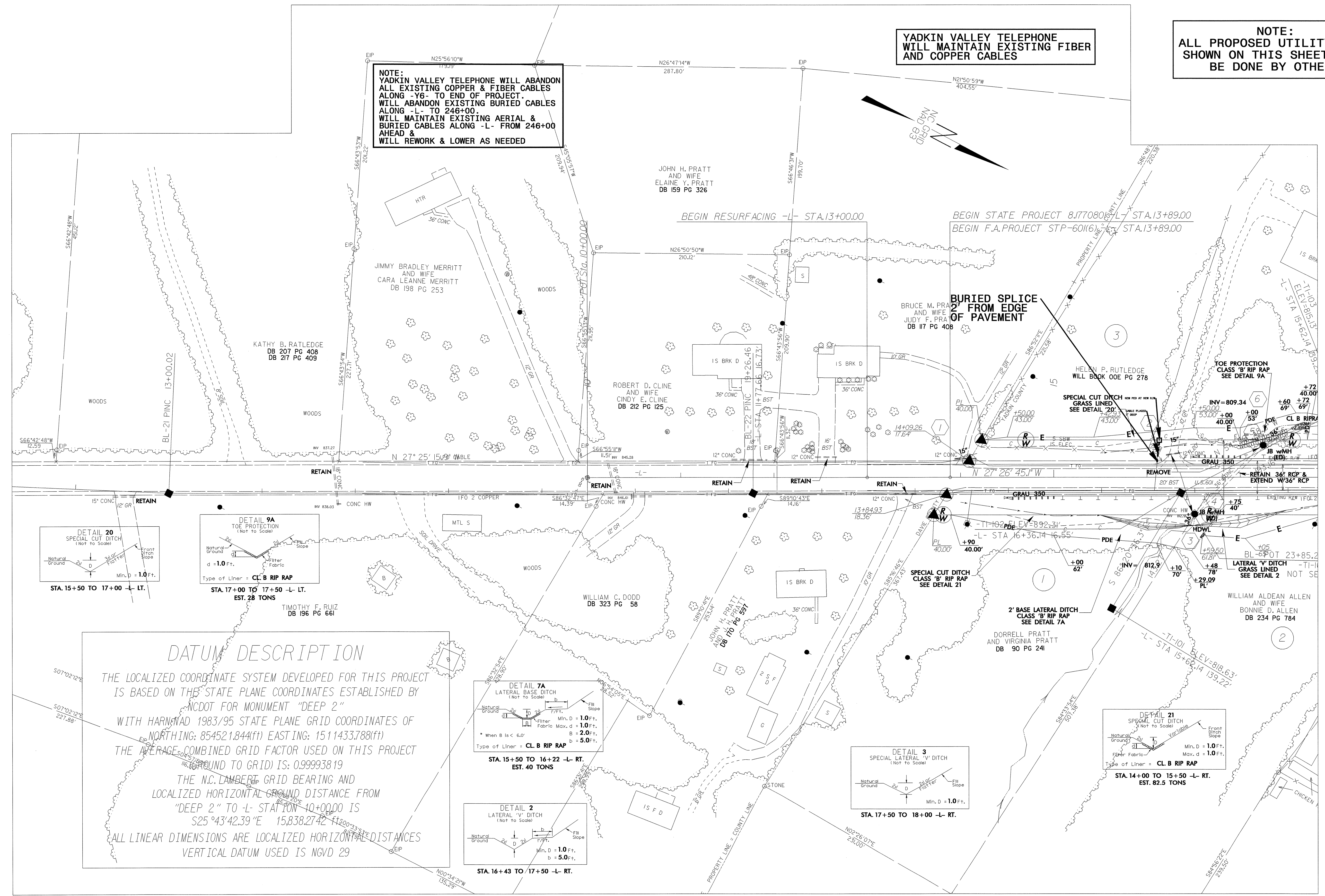


UTILITIES BY OTHERS

NOTE:  
ALL PROPOSED UTILITY WORK  
SHOWN ON THIS SHEET WILL  
BE DONE BY OTHERS

NOTE:  
YADKIN VALLEY TELEPHONE WILL ABANDON  
ALL EXISTING COPPER & FIBER CABLES  
ALONG -Y6- TO END OF PROJECT.  
WILL ABANDON EXISTING BURIED CABLES  
ALONG -L- TO 246+00.  
WILL MAINTAIN EXISTING AERIAL &  
BURIED CABLES ALONG -L- FROM 246+00  
AHEAD &  
WILL REWORK & LOWER AS NEEDED

YADKIN VALLEY TELEPHONE  
WILL MAINTAIN EXISTING FIBER  
AND COPPER CABLES



**DATUM DESCRIPTION**

THE LOCALIZED COORDINATE SYSTEM DEVELOPED FOR THIS PROJECT IS BASED ON THE STATE PLANE COORDINATES ESTABLISHED BY NCDOT FOR MONUMENT "DEEP 2" WITH HARNAD 1983/95 STATE PLANE GRID COORDINATES OF NORTHING: 854521.844(ft) EASTING: 1511433.788(ft) THE AVERAGE COMBINED GRID FACTOR USED ON THIS PROJECT (FROM GRID TO GRID) IS: 0.99993819 THE N.C. LAMBERT GRID BEARING AND LOCALIZED HORIZONTAL DISTANCE FROM "DEEP 2" TO -L- STATION 10+00.00 IS S25°43'42.39"E 15,838.2742 FT. ALL LINEAR DIMENSIONS ARE LOCALIZED HORIZONTAL DISTANCES VERTICAL DATUM USED IS NGVD 29

MATCHLINE SEE SHEET UO-3

8/17/99  
30-AUG-2004 11:56 ut:\psh\proj\R3427\_UO\_02psh.dgn  
Author: A. J. ...