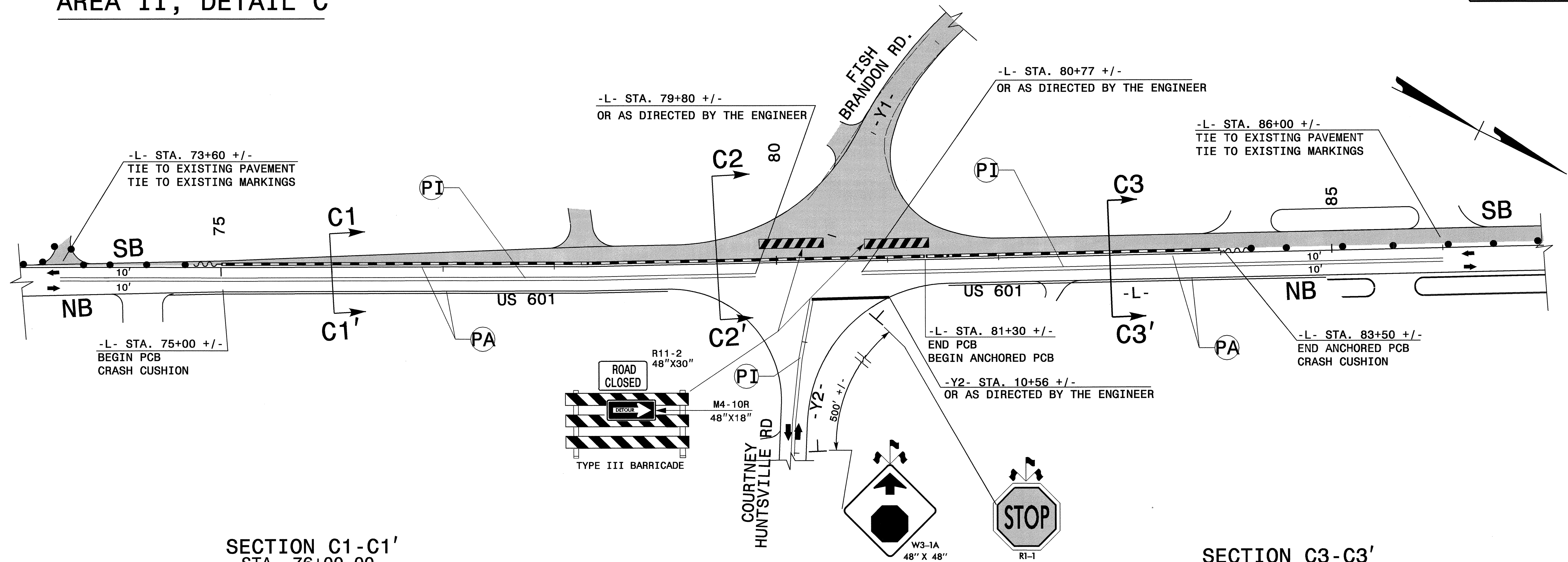
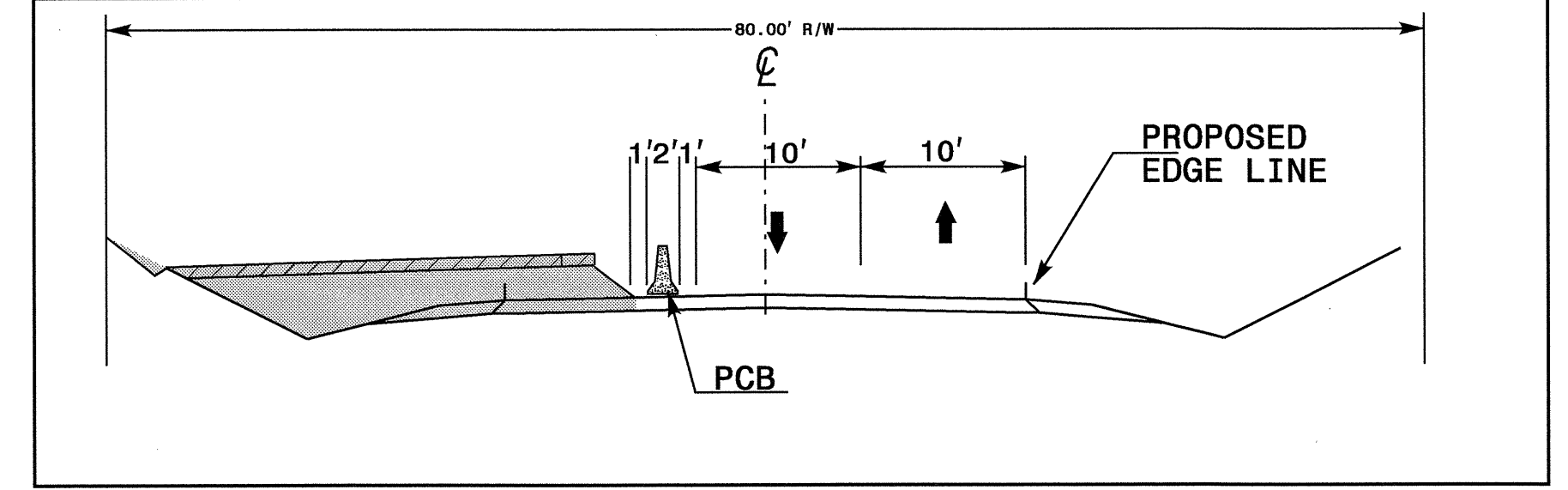


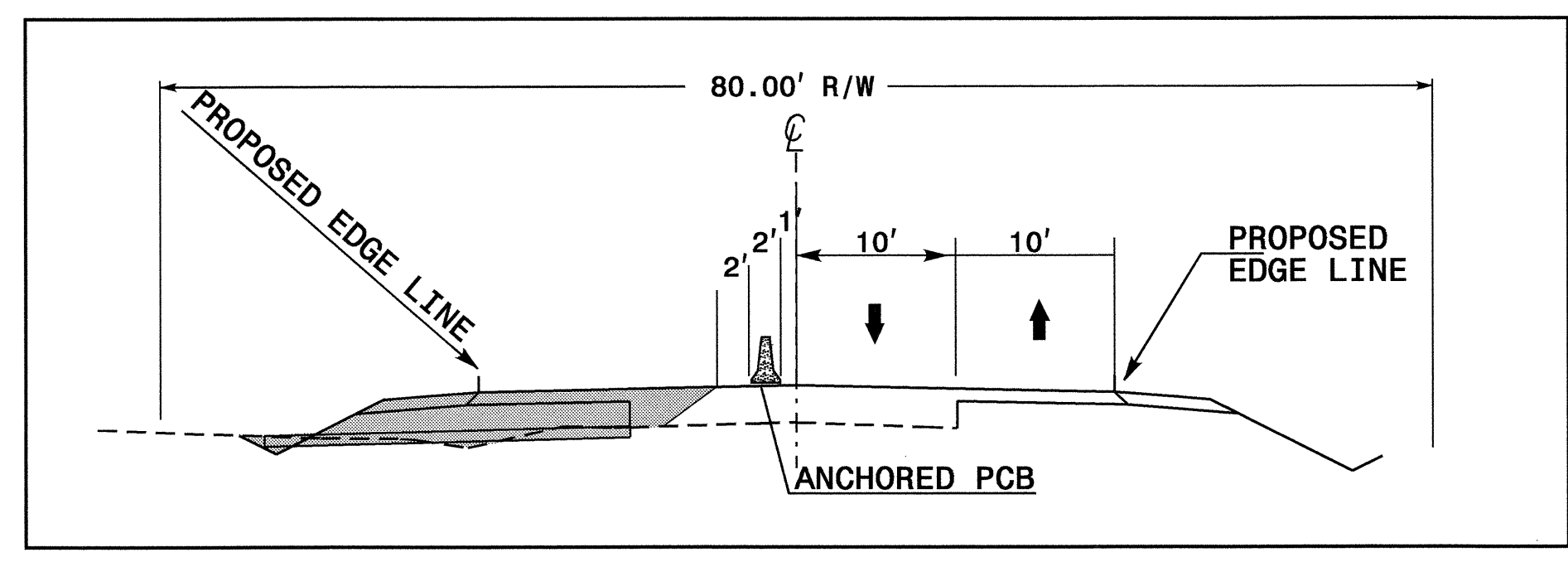
# AREA II, DETAIL C



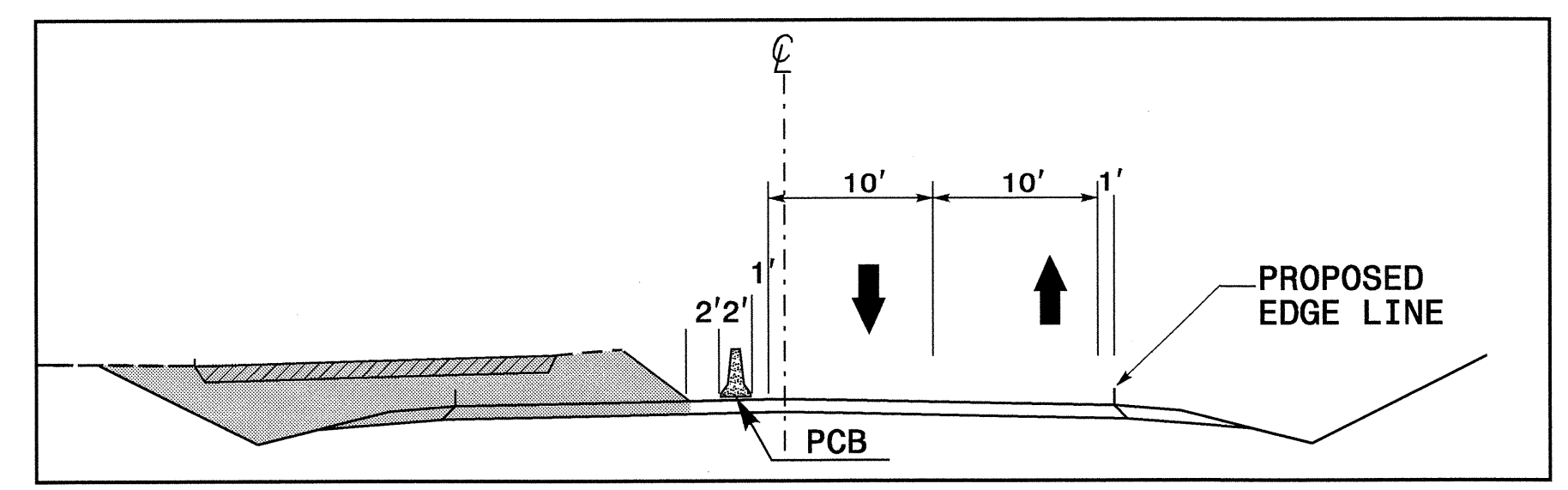
**SECTION C1-C1'**  
STA. 76+00.00



**SECTION C3-C3'**  
STA. 83+00.00



**SECTION C2-C2'**  
STA. 79+50.00



APPROVED: <i>Joseph Ishak</i> DATE: 8/17/04		<b>AREA II DETAIL C</b>	
SCALE: NONE	DATE: JULY 2004		REVISIONS
DWG. BY: HAL	DESIGN BY: HAL		
REVIEWED BY: JI			

I:\AUG-2004\10i7  
 M:\TCP\update\cp\XTC\NR-3427\_TC\_BTcp.dgn  
 halawandos AT TETC206424