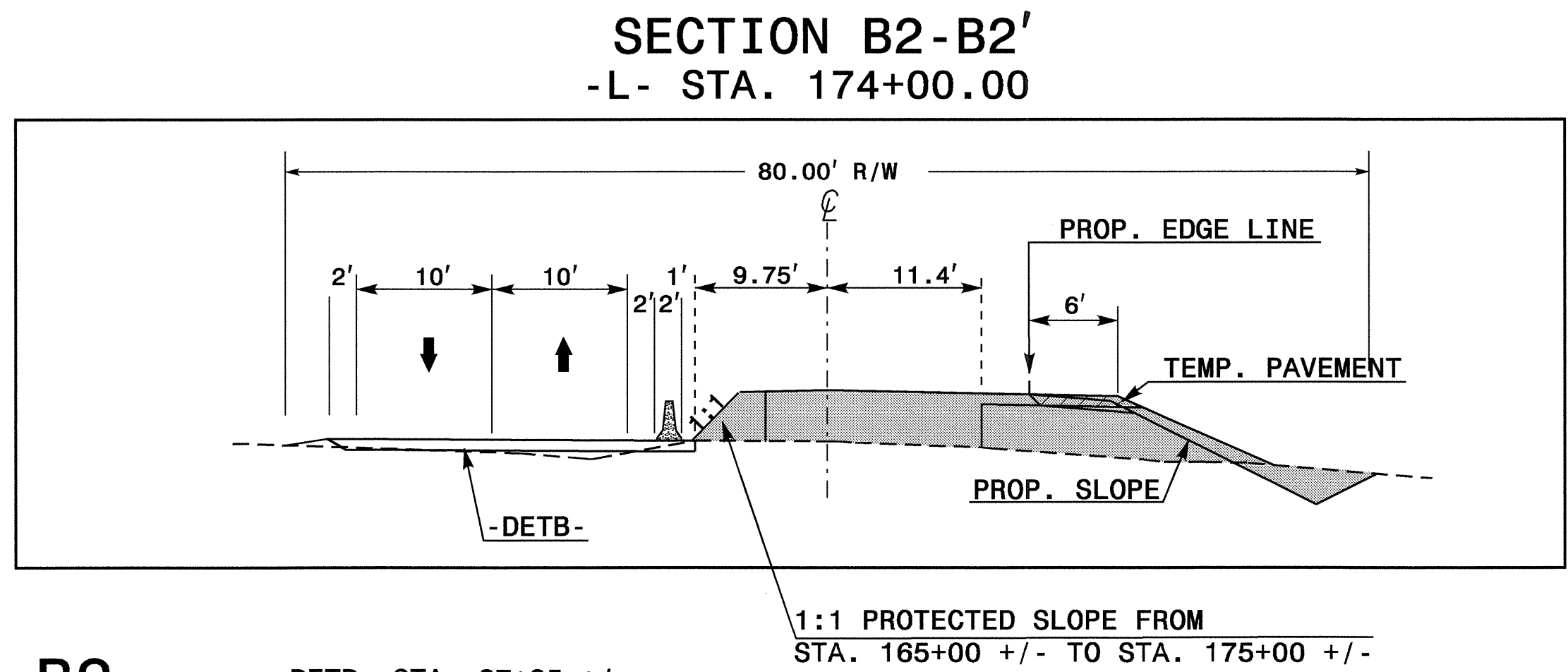
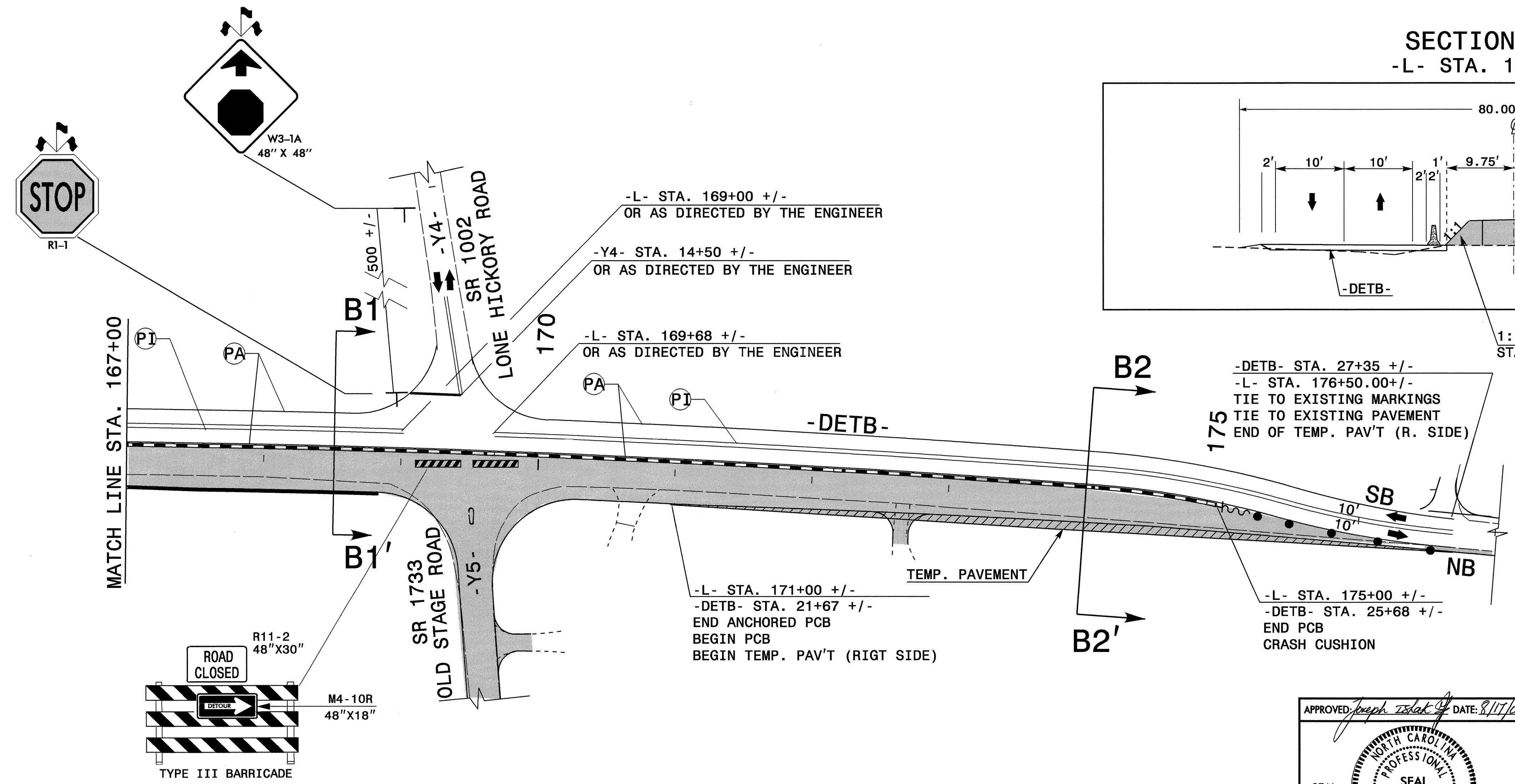
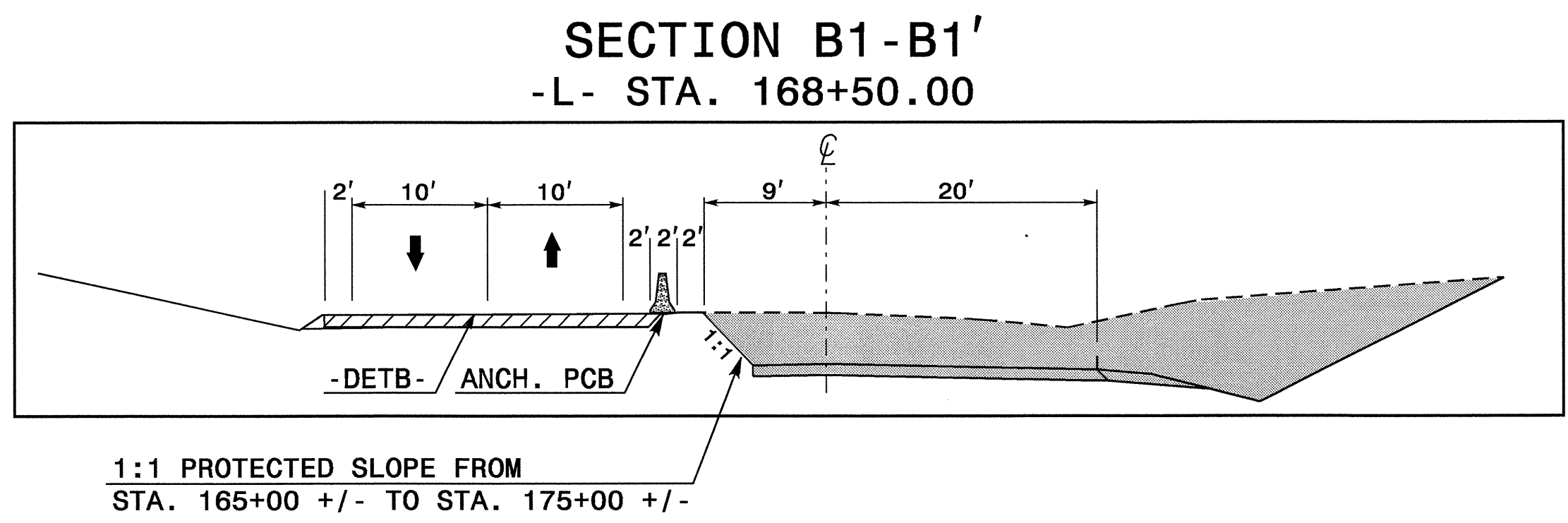
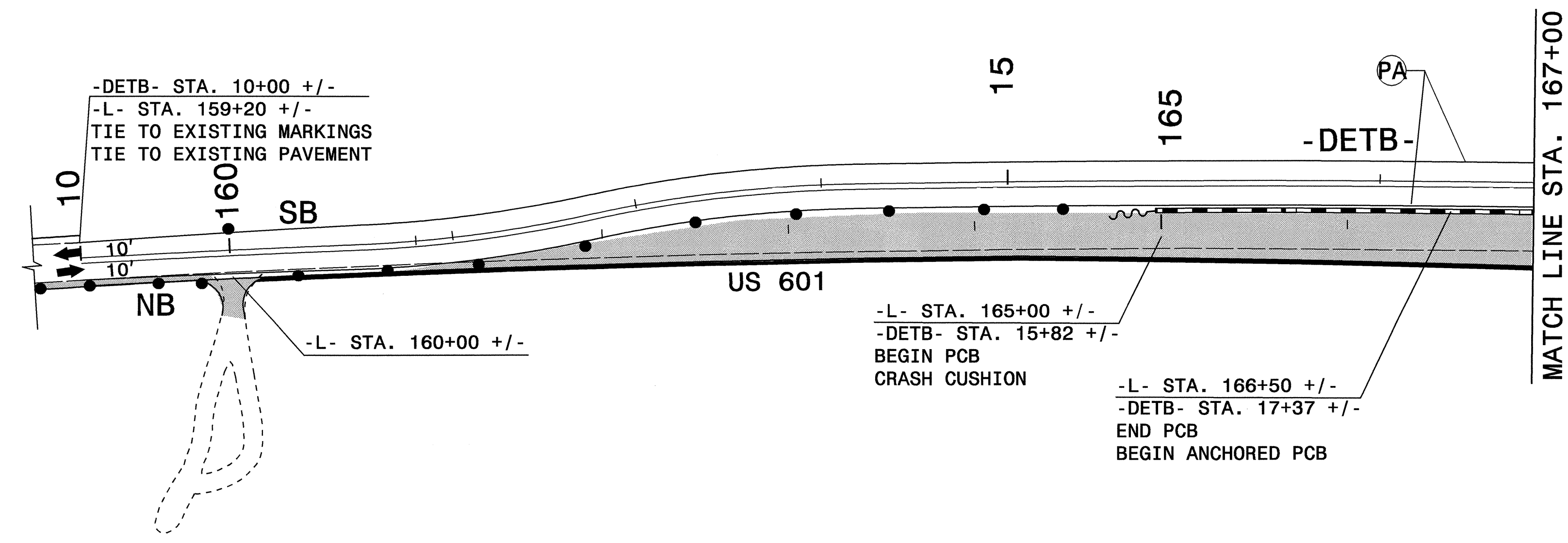


# AREA III, DETAIL B



LEGEND

TEMP. PAVEMENT

APPROVED: *Joseph Ishak* DATE: 8/17/04

SEAL

NORTH CAROLINA PROFESSIONAL ENGINEER  
 SEAL 028380  
 JOSEPH ISHAK

### AREA III, DETAIL B

SCALE: NONE		REVISIONS
DATE: JULY 2004		
DWG. BY: HAL		
DESIGN BY: HAL		
REVIEWED BY: JI		

11-AUG-2004 10:47  
 M:\TCP\updated\_tcp\top\R-3427\_TC-BT\_cp.dgn  
 halawandos AT TETC206424