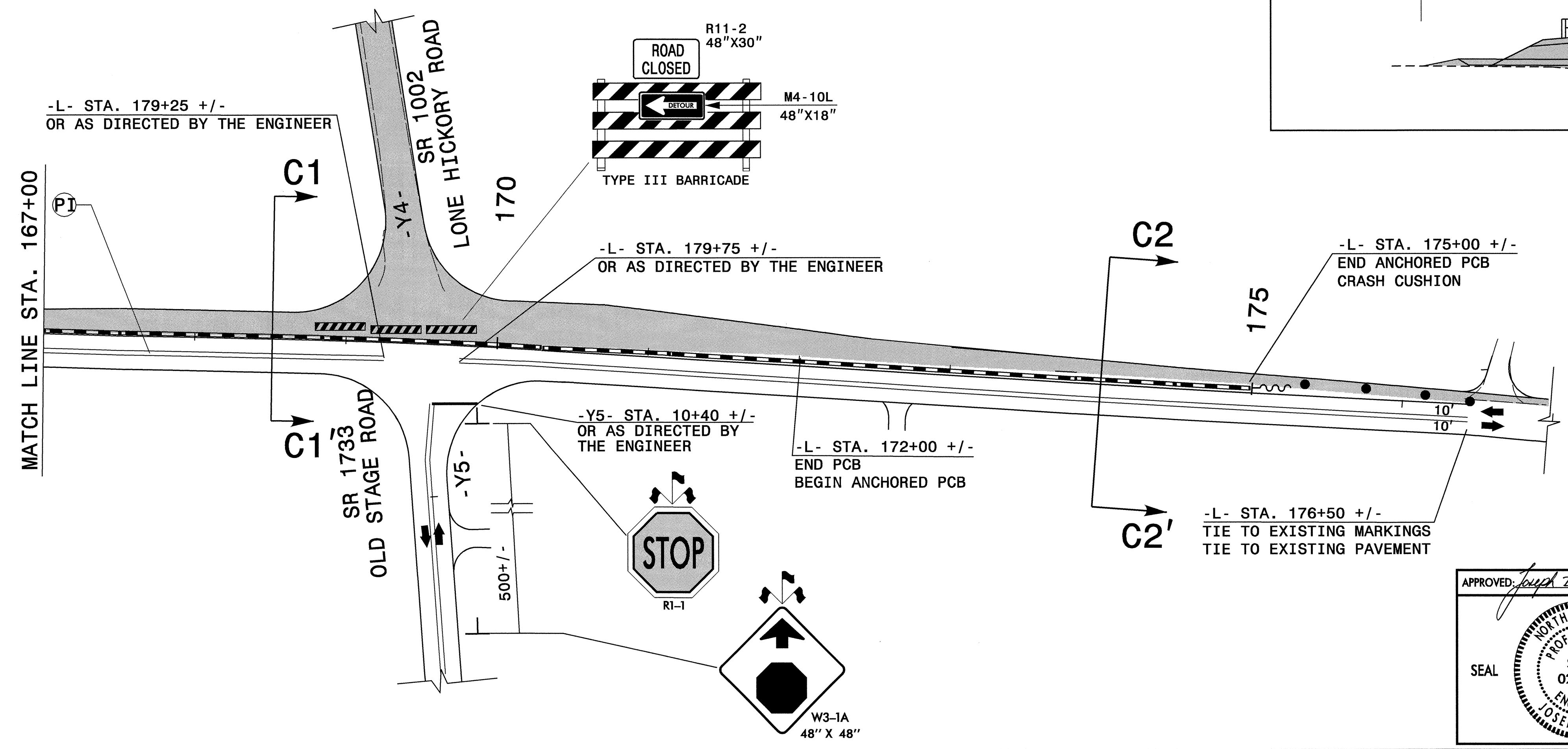
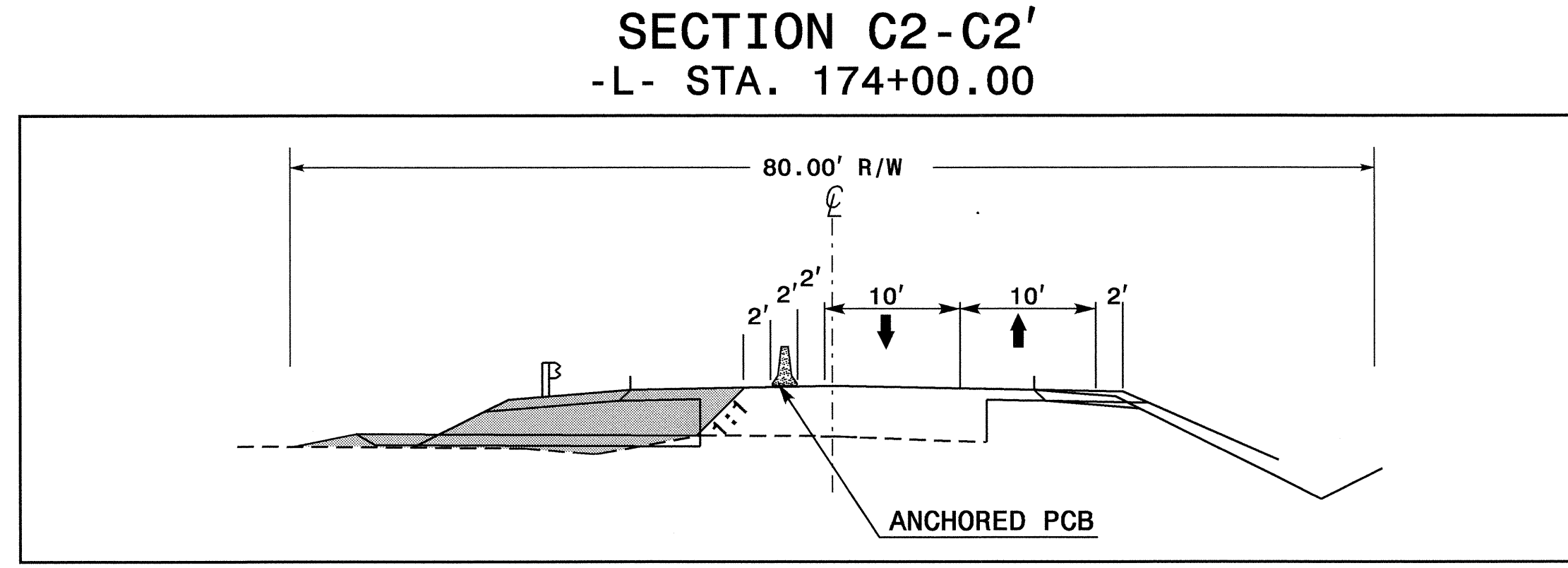
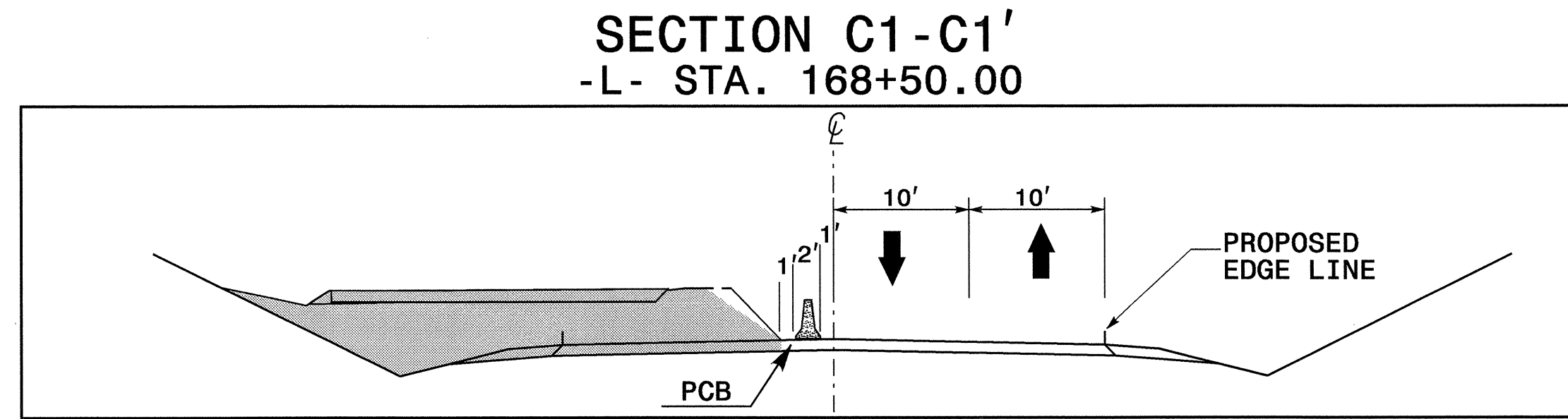
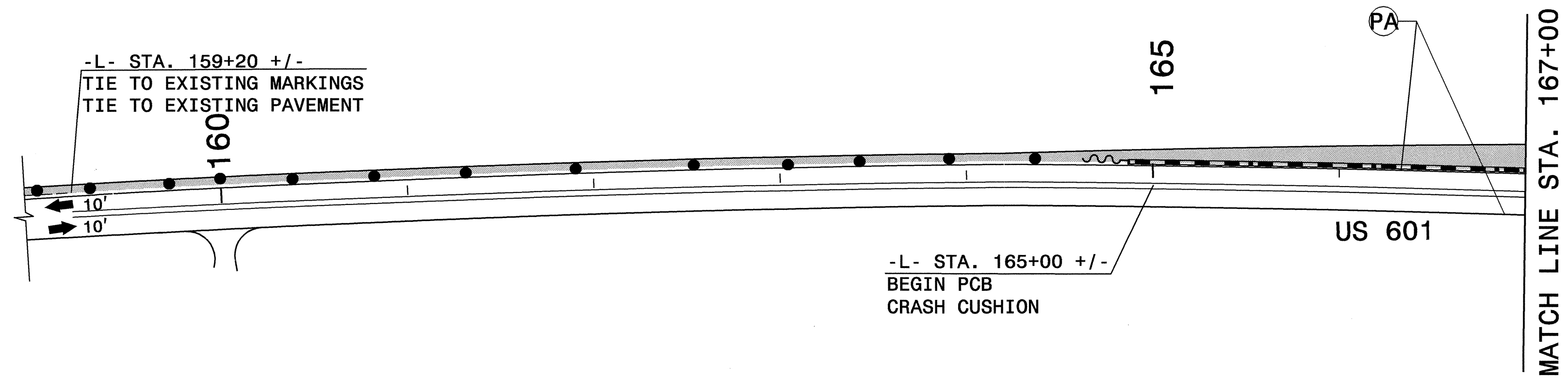
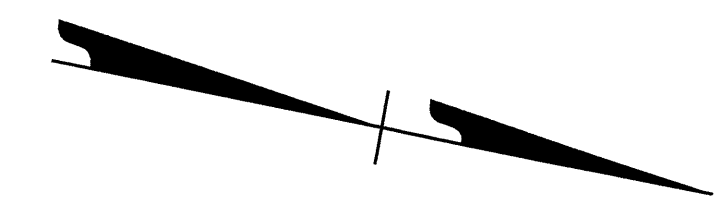


AREA III, DETAIL C



APPROVED: <i>Joseph Ishik</i> DATE: 8/17/04		AREA III, DETAIL C	
	SCALE: NONE		
	DATE: JULY 2004		
	DWG. BY: HAL		
	DESIGN BY: HAL		
REVIEWED BY: JI	REVISIONS		

I:\AUG-2004\10413
 M:\TCP\Updated
 halawandos AT TETC206424