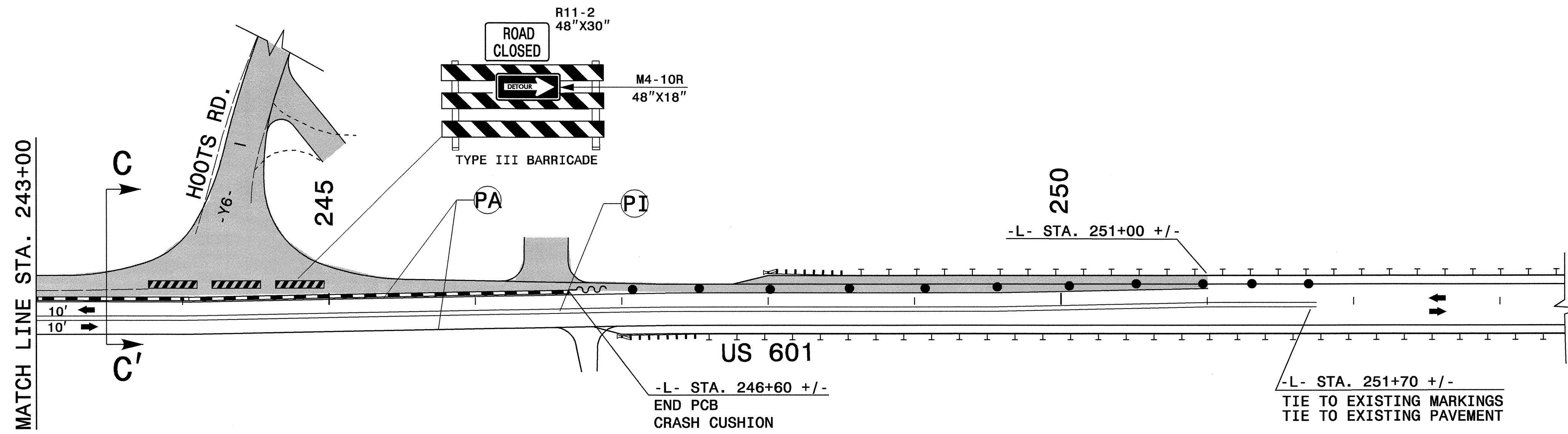
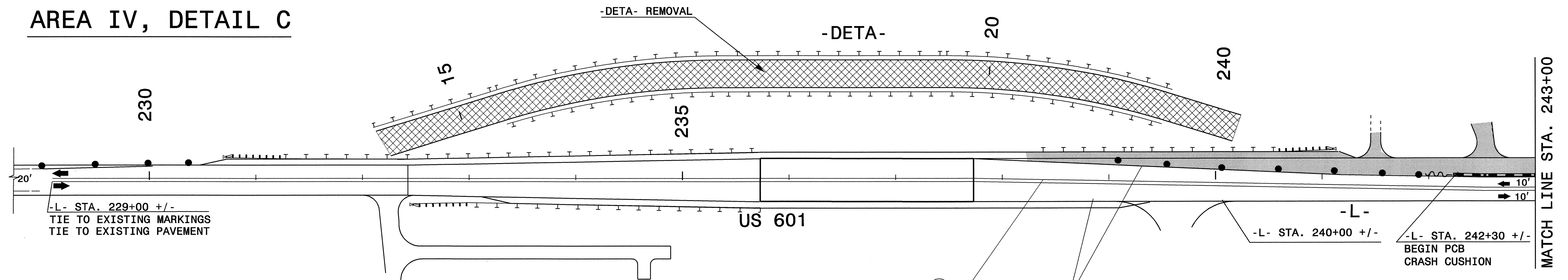
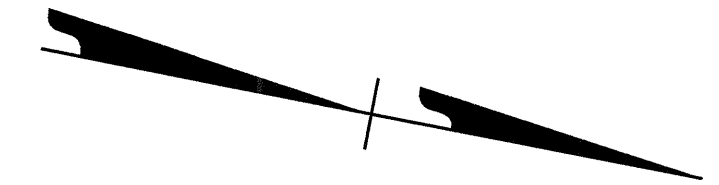
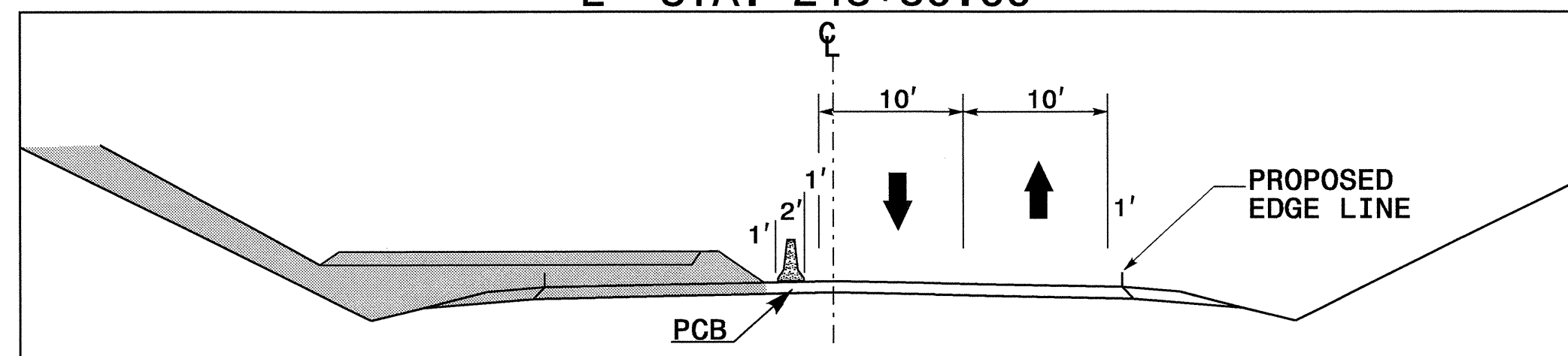


AREA IV, DETAIL C



SECTION C-C'

-L- STA. 243+50.00



11-AUG-2004 10:42
 M:\TCP\updated_tcp\top\VR-3427_TC_BTcp.dgn
 halawandos AT TETC206424

APPROVED: <i>Joseph Ishak</i> DATE: 8/7/04		AREA IV, DETAIL C	
SCALE:	NONE		REVISIONS
DATE:	JULY 2004		
DWG. BY:	HAL		
DESIGN BY:	HAL		
REVIEWED BY:	JI		