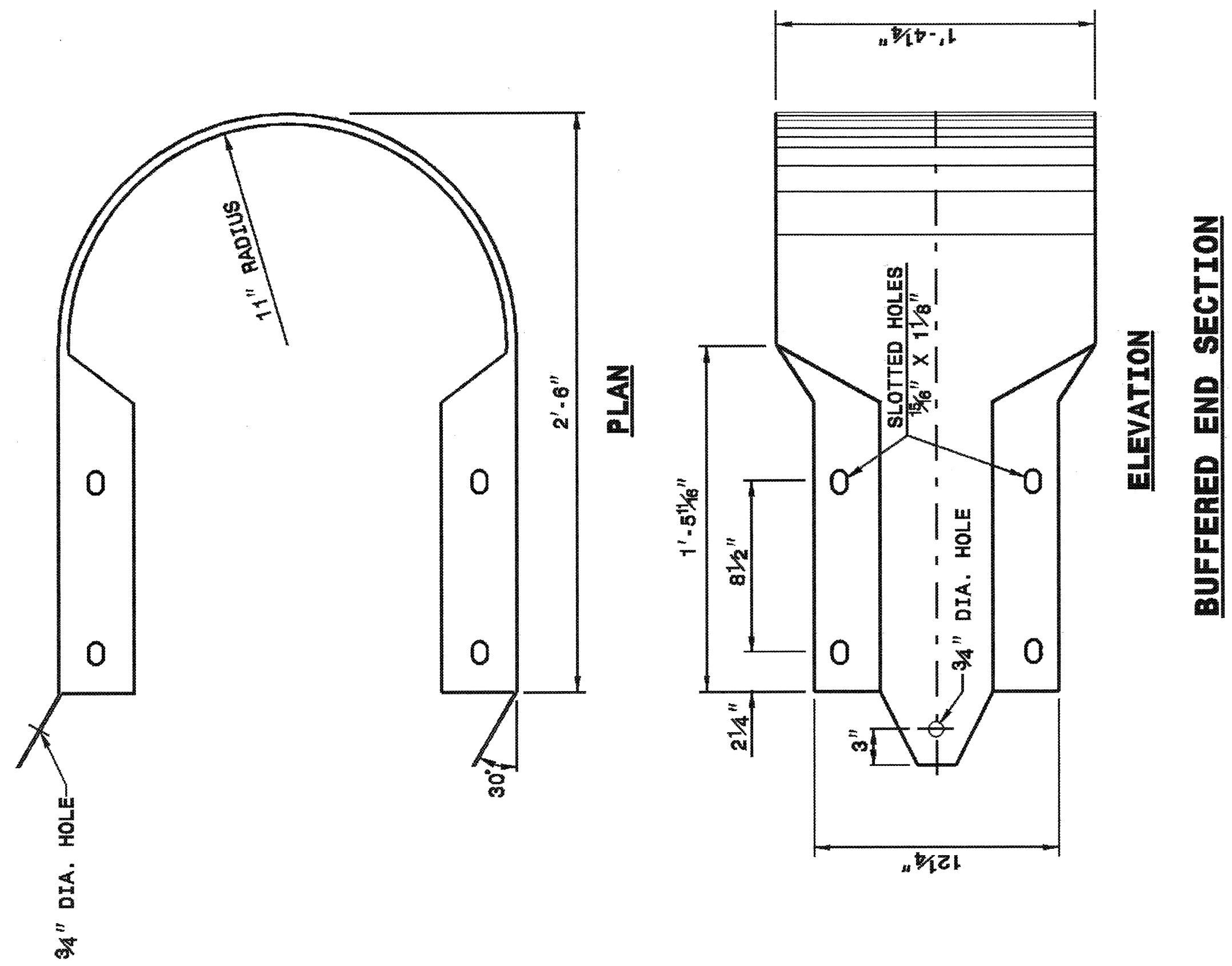


STATE OF NORTH CAROLINA
DEPT. OF TRANSPORTATION
DIVISION OF HIGHWAYS
RALEIGH, N.C.

ENGLISH DETAIL DRAWING FOR
GUARDRAIL INSTALLATION

SHEET 7 OF 7
862D02



STATE OF NORTH CAROLINA
DEPT. OF TRANSPORTATION
DIVISION OF HIGHWAYS
RALEIGH, N.C.

ENGLISH DETAIL DRAWING FOR
GUARDRAIL INSTALLATION

SHEET 7 OF 7
862D02

I:\MAY-2003\1432
 W:\Special Details\New\over\stds\02\Stds to Special Details\english\86202\0862d02.dgn
 erickson AT DS188660

NORTH CAROLINA
 PROFESSIONAL
 SEAL
 022966
 ENGINEER
 JOEL S. HOWERTON
Joel S. Howerton
 8/27/04

DESIGN SERVICES UNIT
STANDARDS AND SPECIAL DESIGN
 Office 919-250-4128 FAX 919-250-4119

SEE PLATE FOR TITLE

ORIGINAL BY: 2002 STD.862.02 DATE: _____
 MODIFIED BY: E.E. WARD DATE: 02-09-03
 CHECKED BY: _____ DATE: _____
 FILE SPEC.: /usr/stds/02todetail/english/86202/862d02.dgn