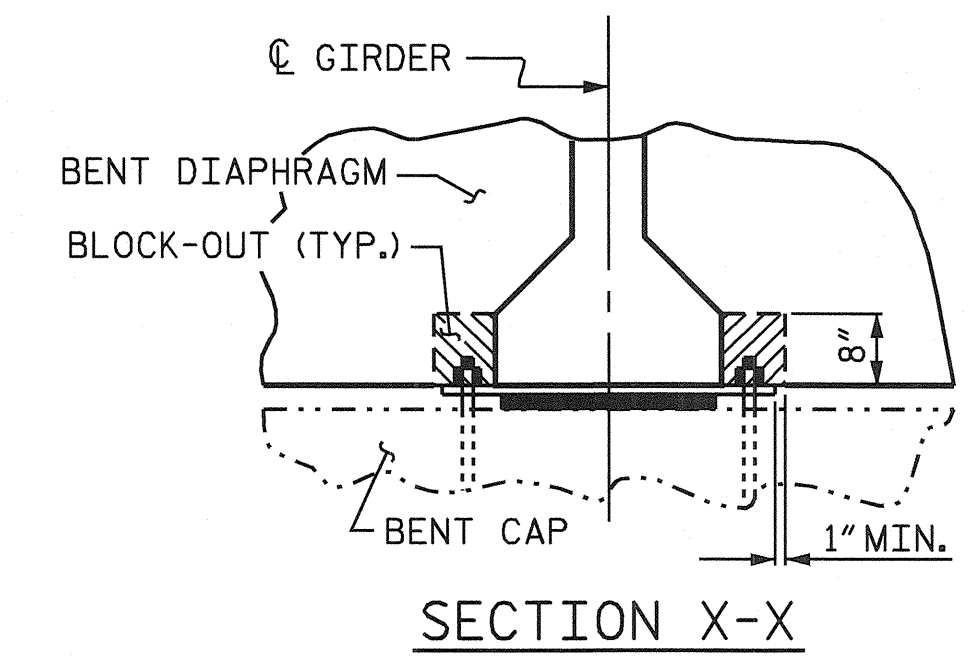
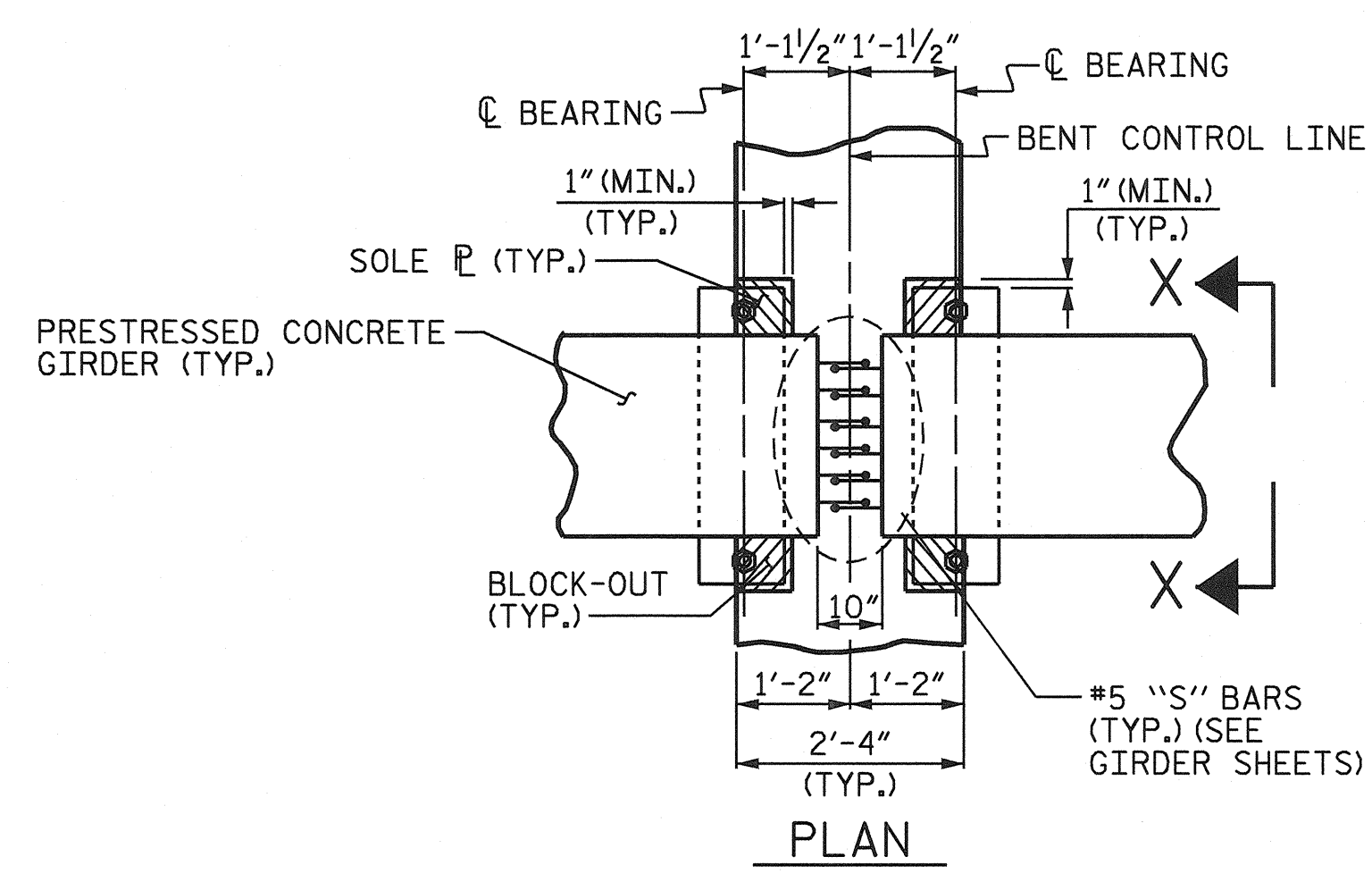
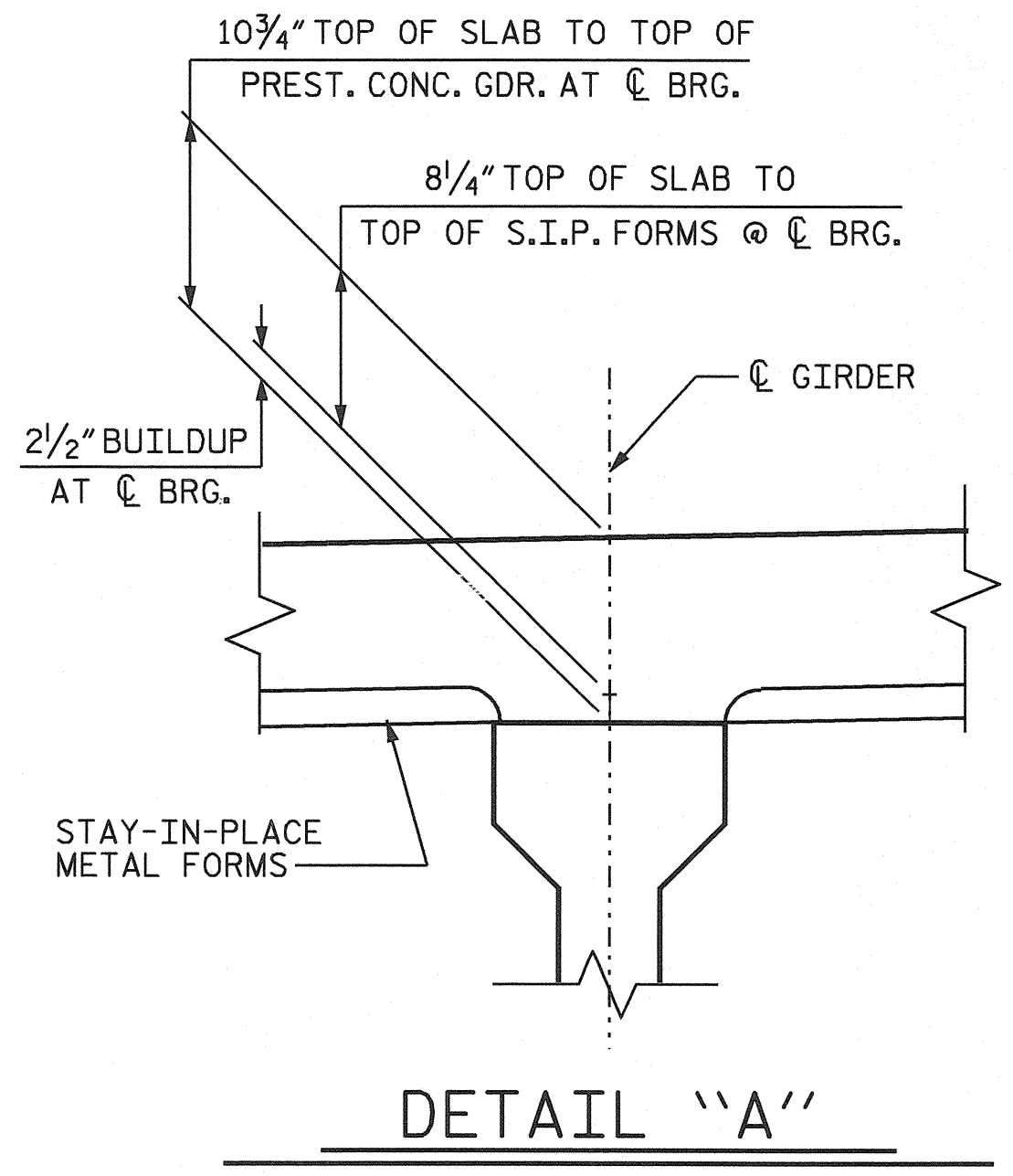
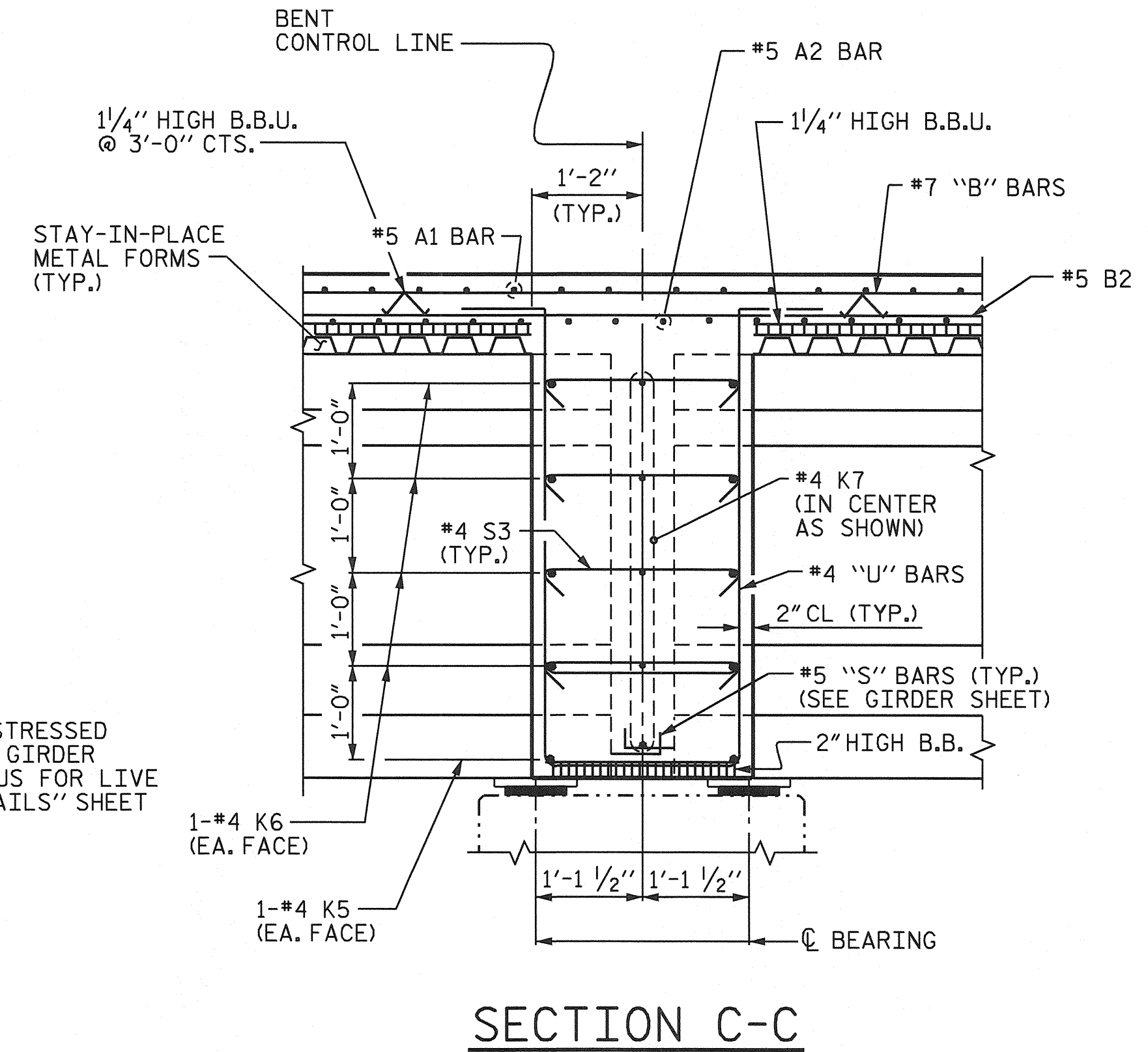
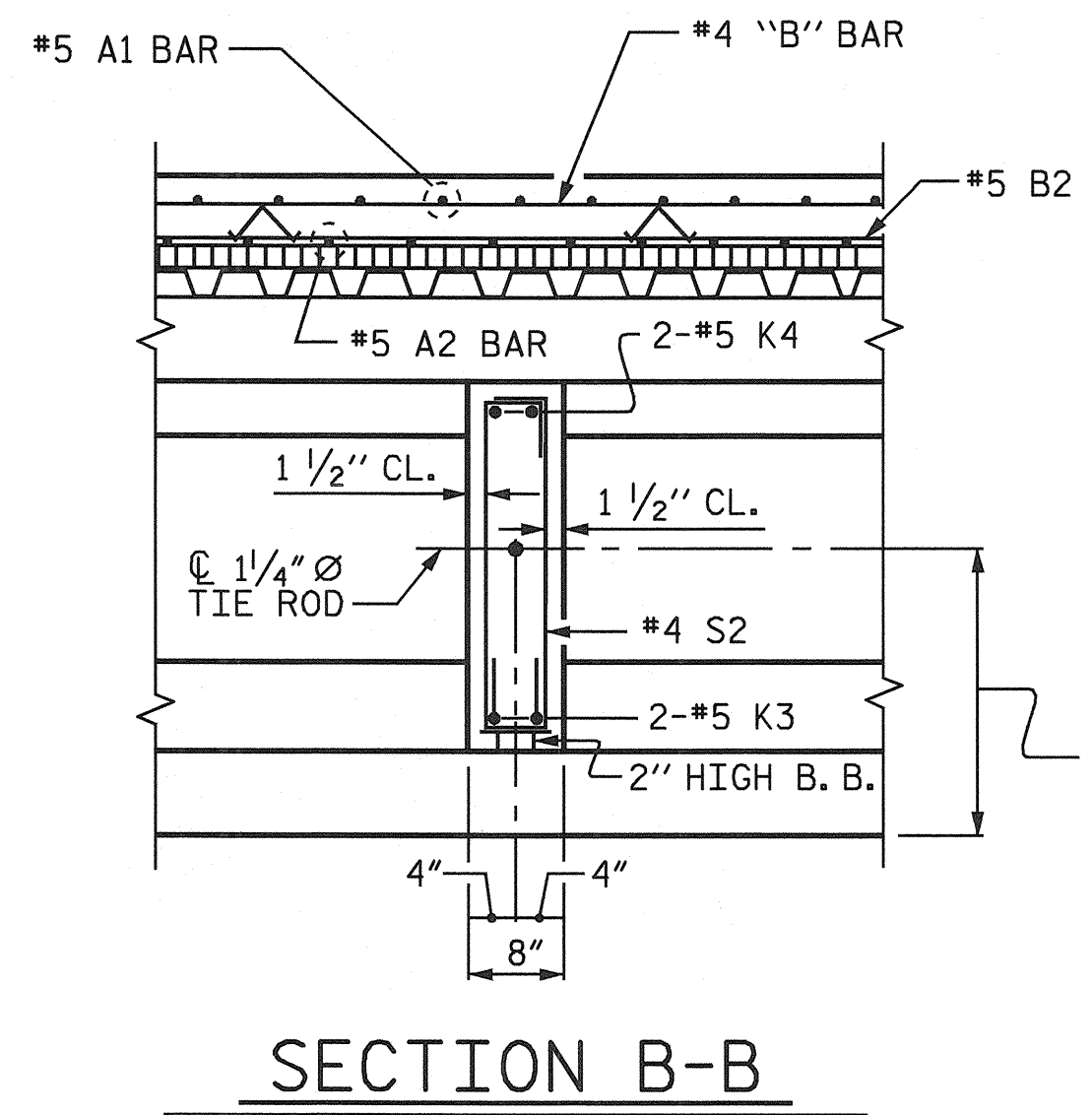
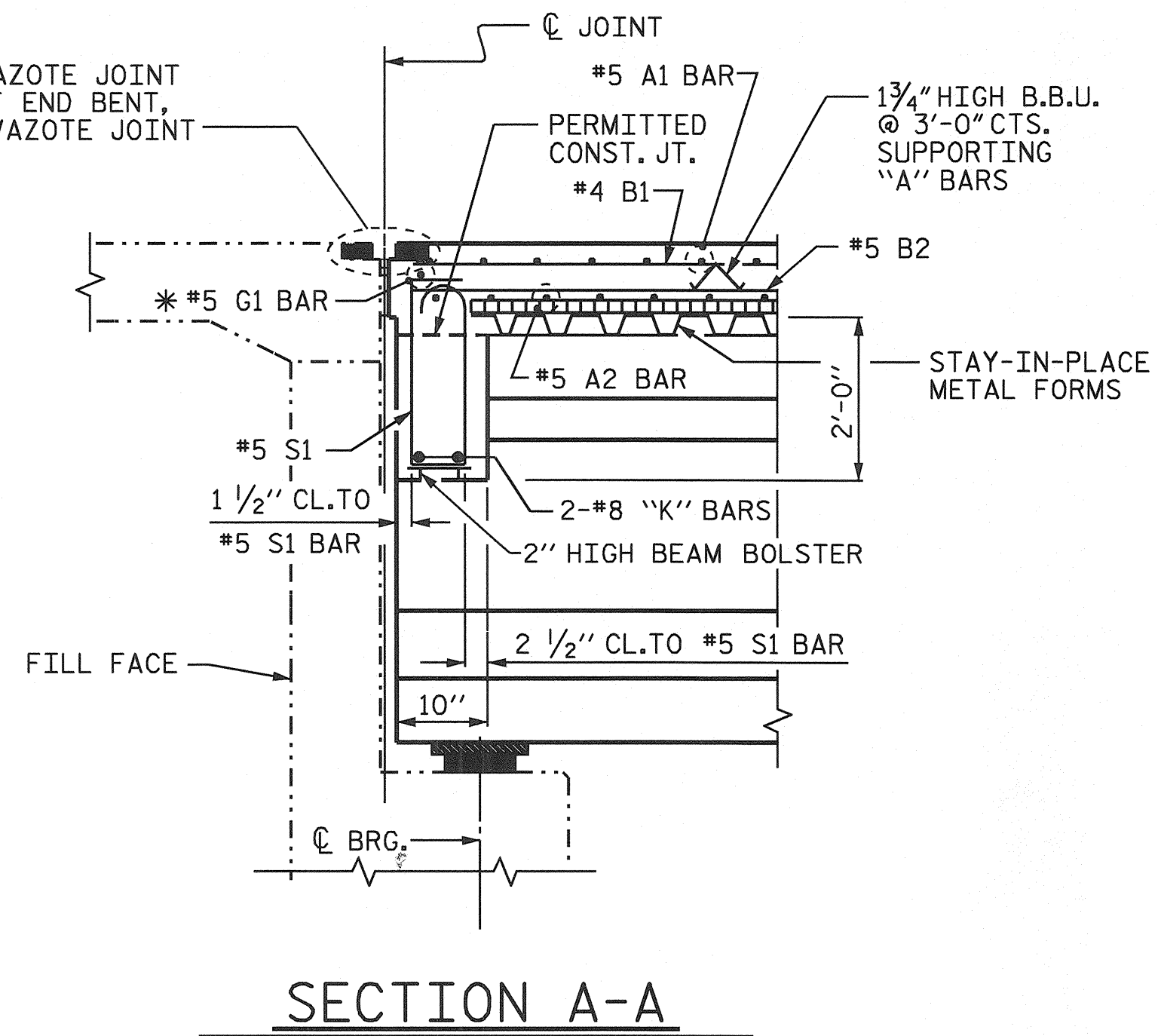


NOTES:

FOR LOCATION OF SECTIONS, SEE "PLAN OF SPAN" SHEETS.

*#5 G1 BAR MAY BE SHIFTED SLIGHTLY, AS NECESSARY, TO CLEAR REINFORCING STEEL AND STIRRUPS.

FOR ARMORED EVAZOTE JOINT SEAL DETAILS AT END BENT, SEE "ARMORED EVAZOTE JOINT DETAILS" SHEET.



BENT DIAPHRAGM BLOCK-OUT DETAIL

PROJECT NO. R-3427
YADKIN COUNTY
 STATION: 236+73.00 -L-

SHEET 2 OF 2

STATE OF NORTH CAROLINA DEPARTMENT OF TRANSPORTATION RALEIGH					
SUPERSTRUCTURE TYPICAL SECTION					
REVISIONS					SHEET NO.
NO.	BY:	DATE:	NO.	BY:	DATE:
1			3		
2			4		
					TOTAL SHEETS 31



Theo J. Beach 8/13/04

DRAWN BY: P.C. BREWER DATE: 6/11/03
 CHECKED BY: S.B. WILLIAMS DATE: 6/17/03