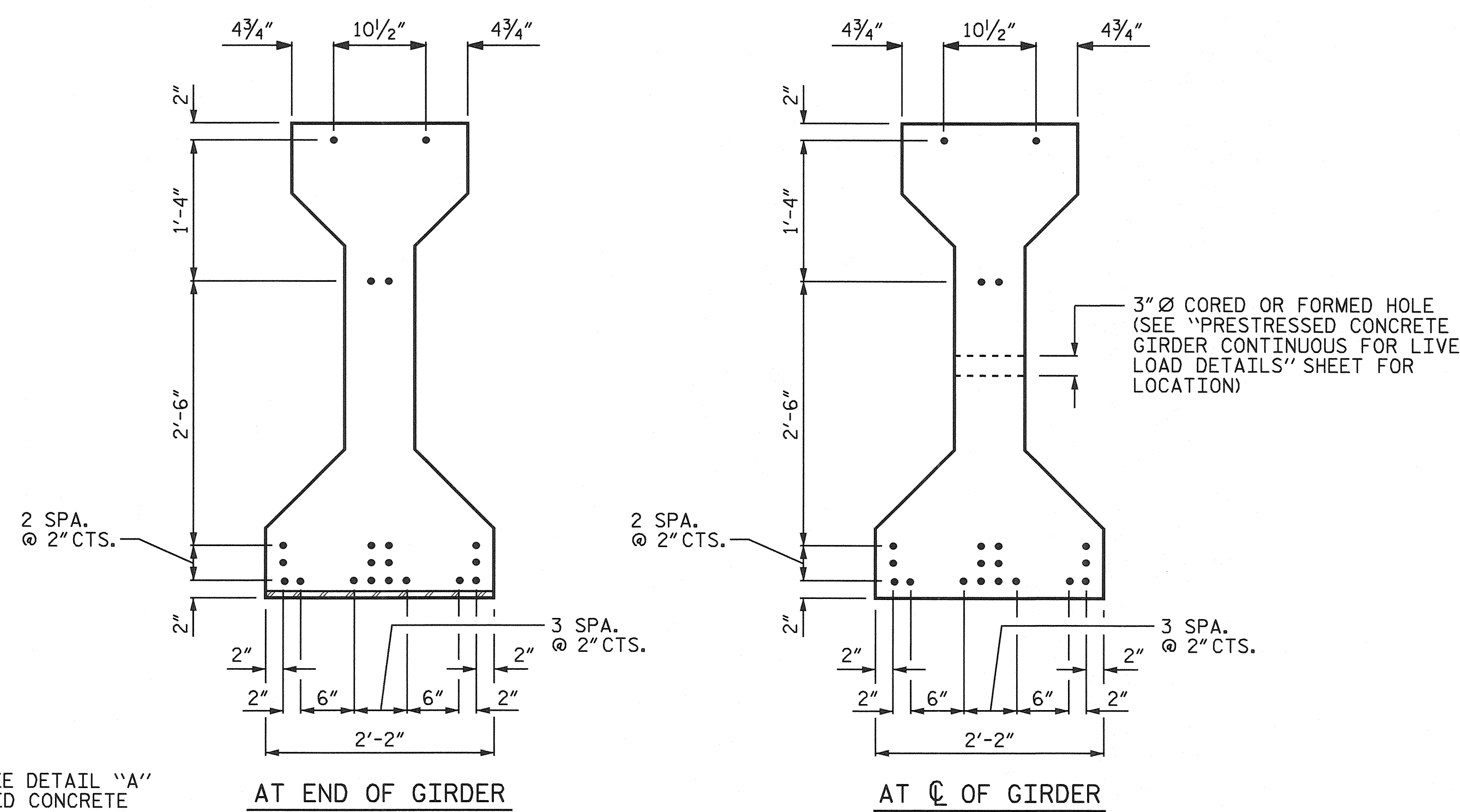


SECTION A-A

SECTION B-B



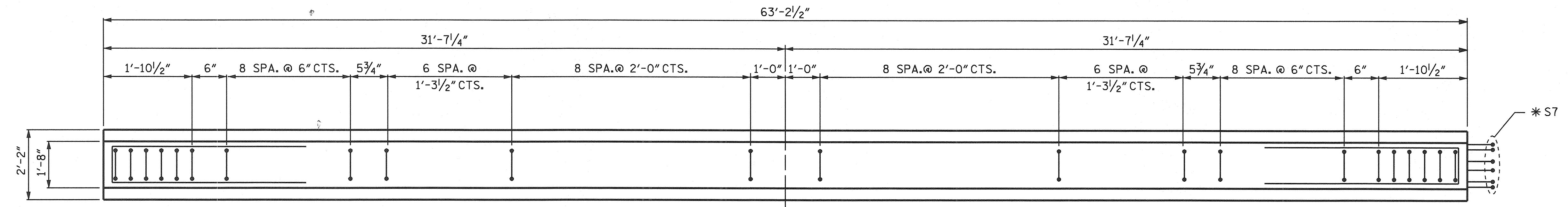
AT END OF GIRDER

AT C OF GIRDER

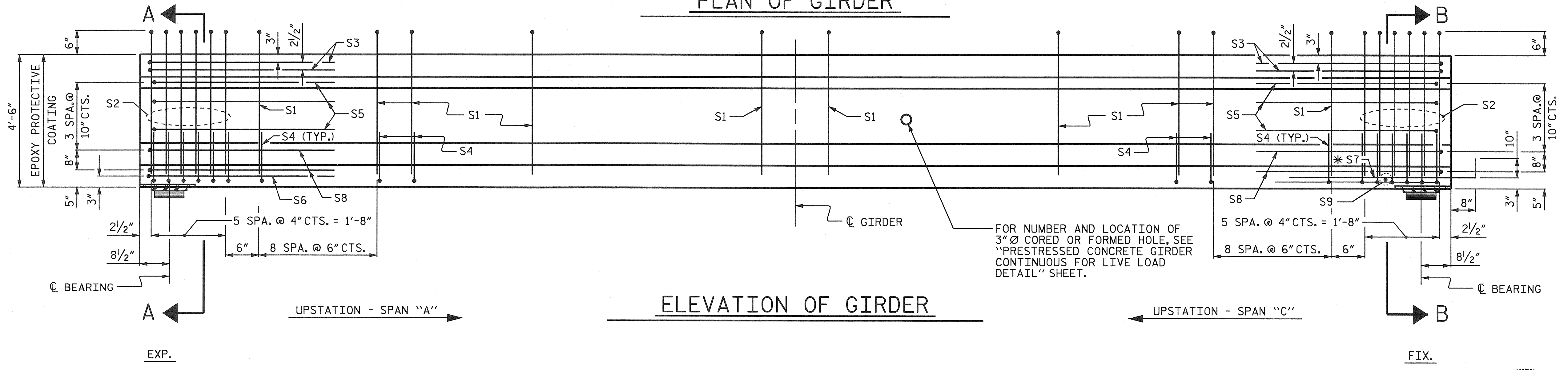
1/2" Ø LOW RELAXATION STRAND LAYOUT

▲ FOR S7 BARS, SEE DETAIL "A" ON "PRESTRESSED CONCRETE GIRDER CONTINUOUS FOR LIVE LOAD DETAILS" SHEET

3" Ø CORED OR FORMED HOLE (SEE "PRESTRESSED CONCRETE GIRDER CONTINUOUS FOR LIVE LOAD DETAILS" SHEET FOR LOCATION)



PLAN OF GIRDER



ELEVATION OF GIRDER

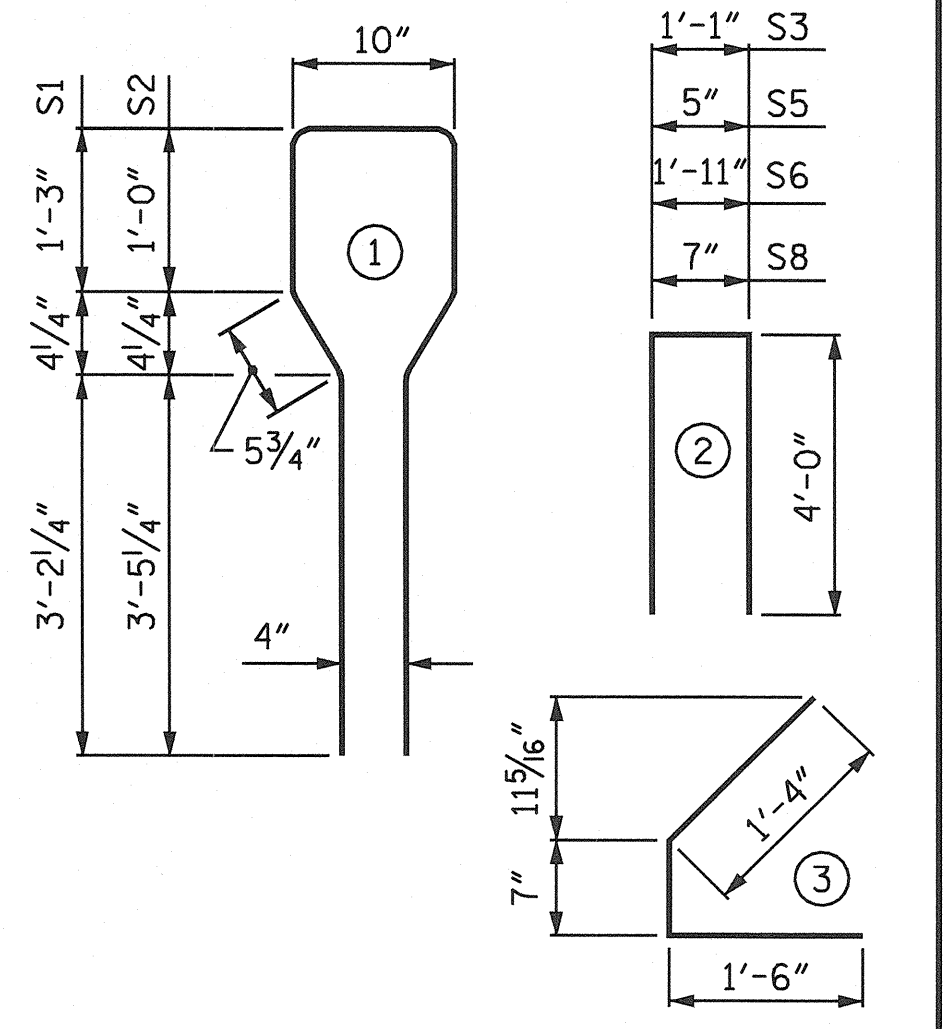
FOR NUMBER AND LOCATION OF 3" Ø CORED OR FORMED HOLE, SEE "PRESTRESSED CONCRETE GIRDER CONTINUOUS FOR LIVE LOAD DETAIL" SHEET.

1/2" Ø L. R. GRADE 270 STRANDS		
AREA (SQ. INCHES)	ULTIMATE STRENGTH (LBS. PER STRAND)	APPLIED PRESTRESS (LBS. PER STRAND)
0.153	41,300	30,980

REINFORCING STEEL FOR ONE GIRDER					
BAR	NUMBER	SIZE	TYPE	LENGTH	WEIGHT
S1	48	#4	1	10'-8"	342
S2	12	#6	1	10'-8"	192
S3	4	#4	2	9'-1"	24
S4	64	#4	3	3'-5"	146
S5	6	#4	2	8'-5"	34
S6	1	#4	2	9'-11"	7
*S7	6	#5	STR	3'-8"	23
S8	4	#4	2	8'-7"	23
S9	1	#3	STR	1'-10"	1

\* NOTE: S7 BAR SHALL BE BENT AFTER GIRDER FABRICATION AND BEFORE SHIPMENT. HEAT BENDING SHALL NOT BE ALLOWED.

BAR TYPES  
ALL BAR DIMENSIONS ARE OUT-TO-OUT



QUANTITIES FOR ONE GIRDER			
	REINFORCING STEEL LB.	5000 PSI CONCRETE C.Y.	1/2" Ø L.R. STRANDS No.
FOR ONE GIRDER	792	12.8	20

GIRDERS REQUIRED			
SPAN	NUMBER	LENGTH	TOTAL LENGTH
SPAN "A"	7	63'-2 1/2"	442.46
SPAN "C"	7	63'-2 1/2"	442.46

PROJECT NO. R-3427  
YADKIN COUNTY  
STATION: 236+73.00 -L-

STATE OF NORTH CAROLINA  
DEPARTMENT OF TRANSPORTATION  
RALEIGH  
AASHTO TYPE IV  
PRESTRESSED CONCRETE GIRDER  
CONTINUOUS FOR LIVE LOAD  
SPAN "A" OR "C"



*Theo J. Beach 8/13/04*

ASSEMBLED BY : P.C. BREWER	DATE : 6/12/03	CADD STANDARD
CHECKED BY : S.B. WILLIAMS	DATE : 6/26/03	
DRAWN BY : RB	2/97	REV. 10/99 MAB/LES
CHECKED BY : VP	2/97	

13-AUG-2004 12:06  
W:\squad\13427\str1\pbrw\microstation\R3427.sd.G1.01.dgn  
tbeach

REVISIONS					SHEET NO.
NO.	BY:	DATE:	NO.	BY:	DATE:
1			3		
2			4		