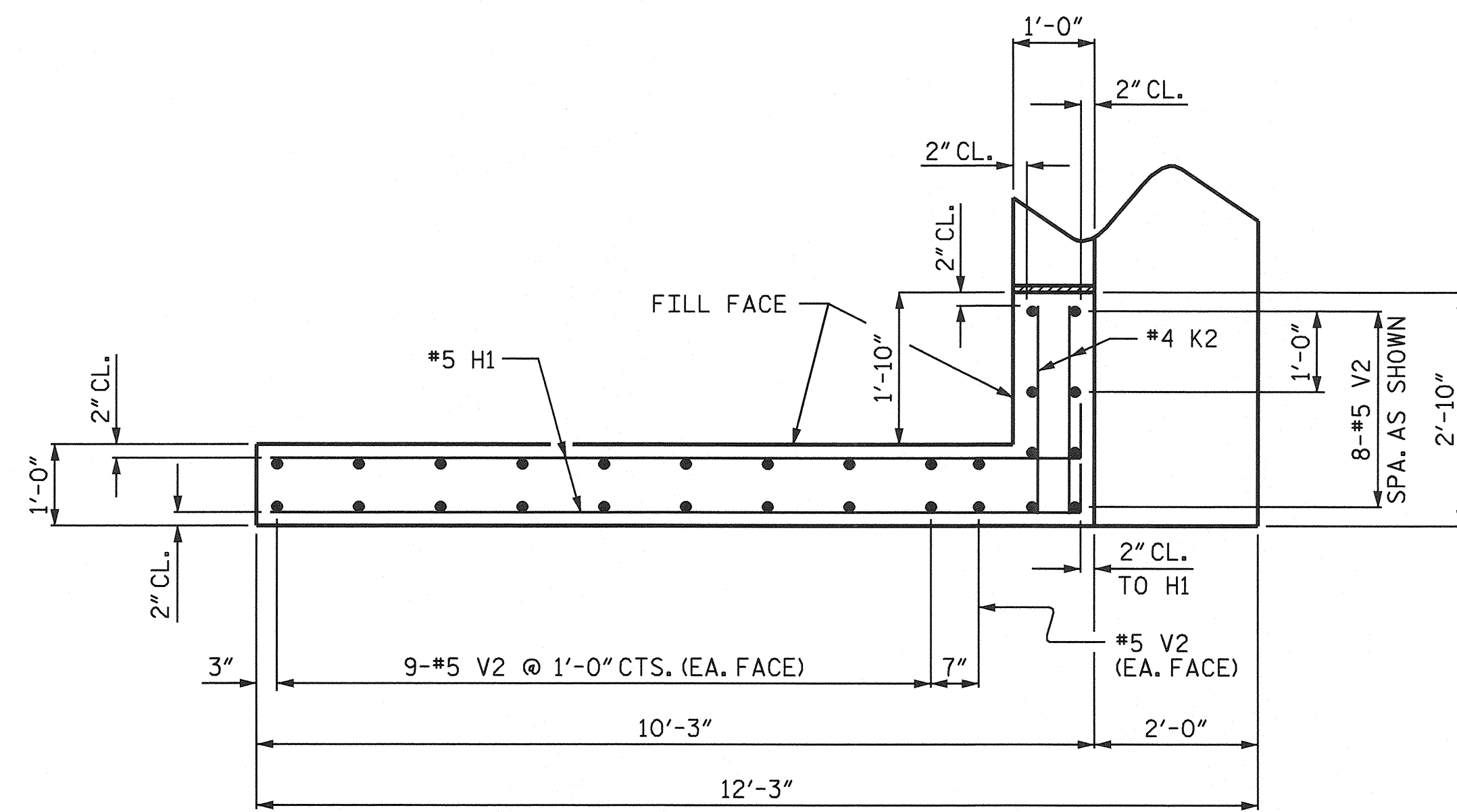
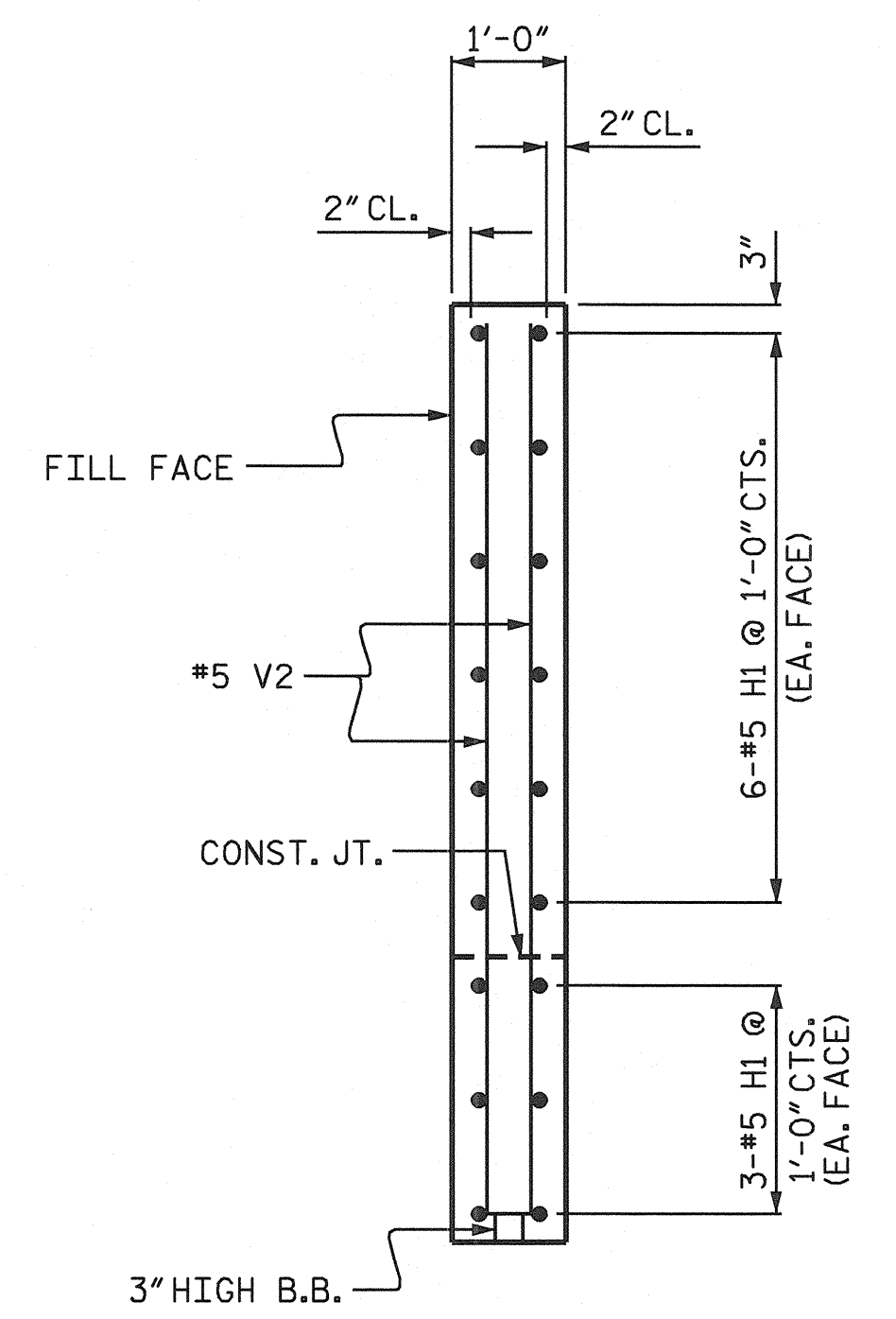


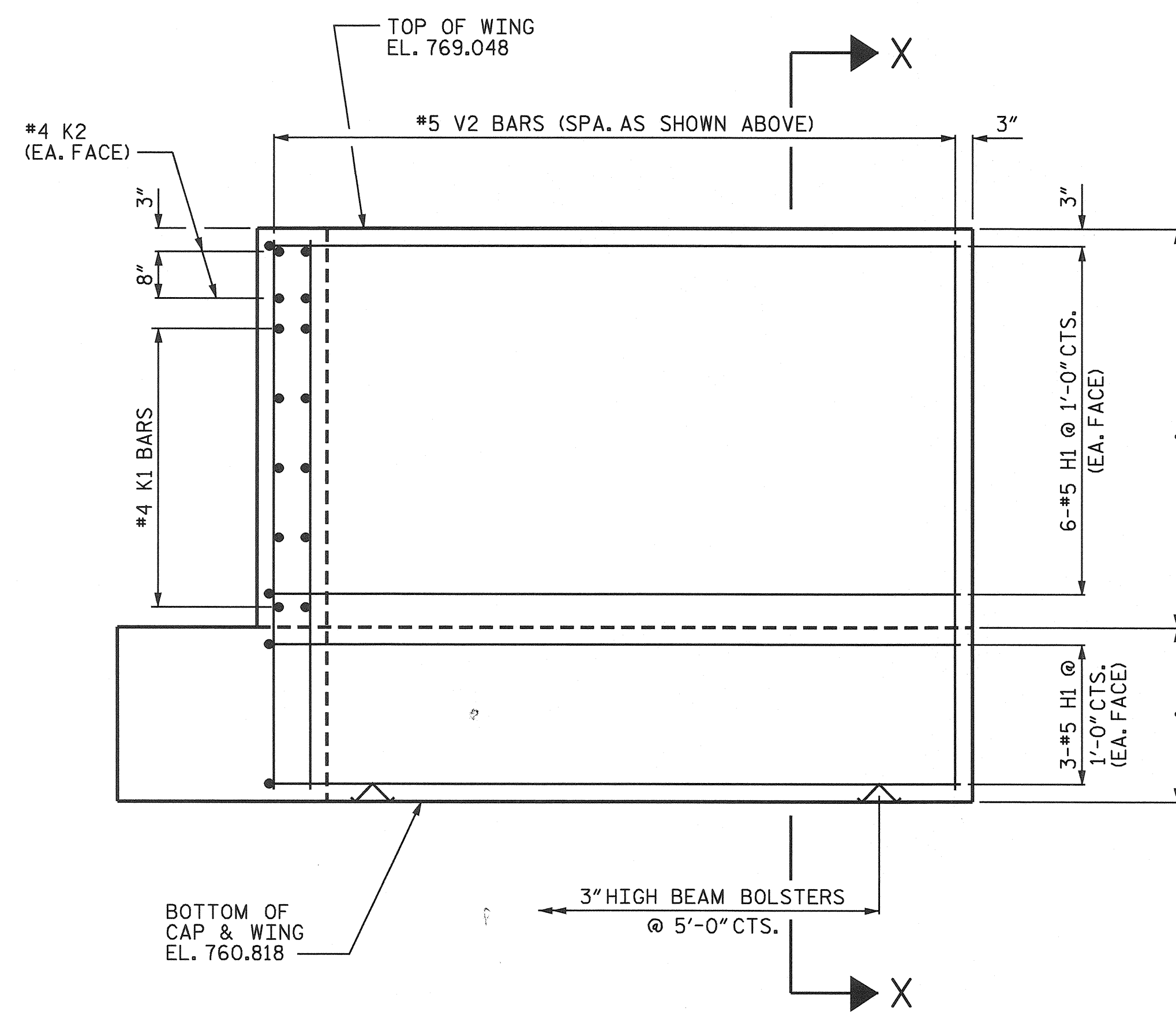
PLAN OF WING (W1)



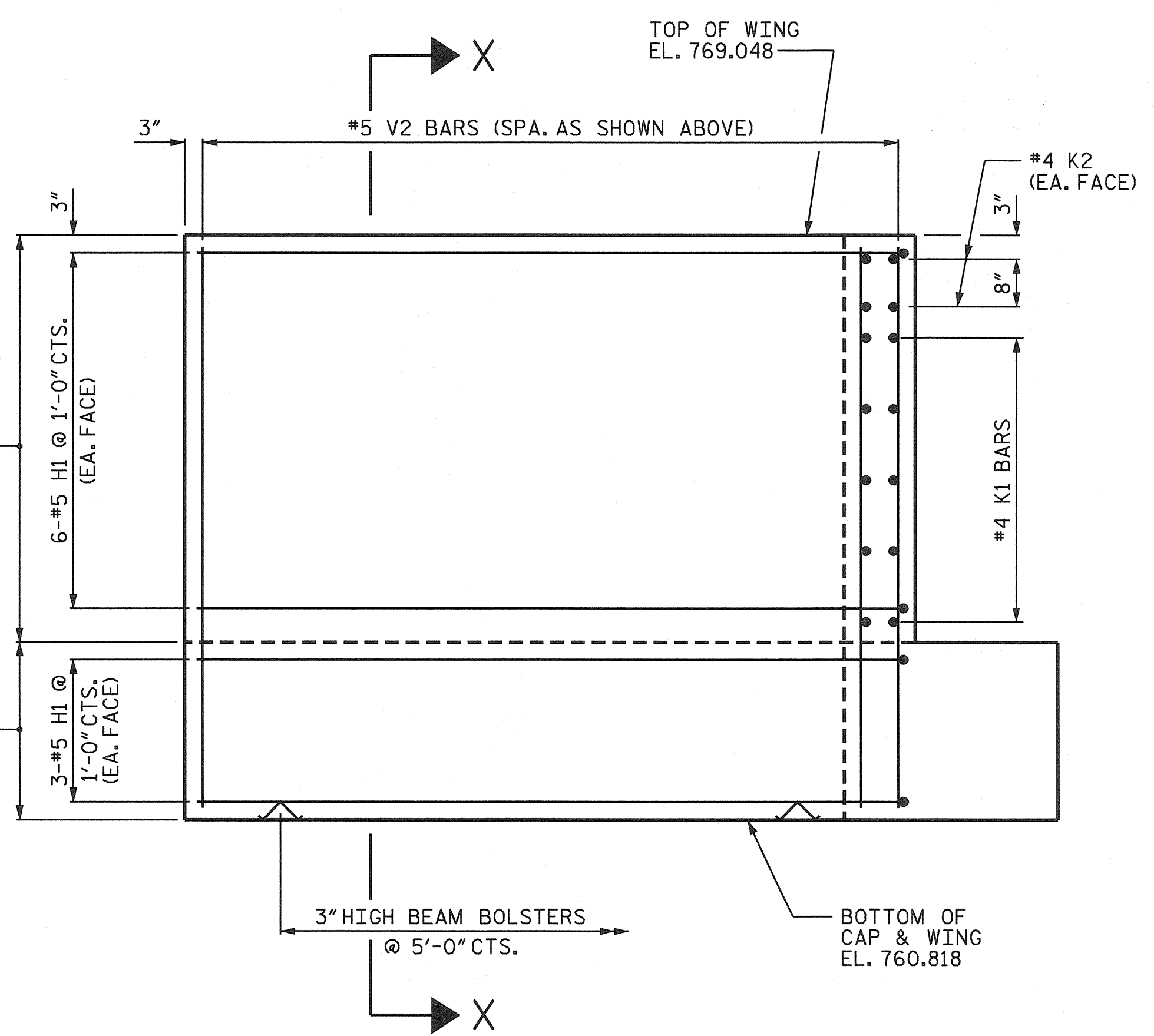
PLAN OF WING (W2)



SECTION X-X



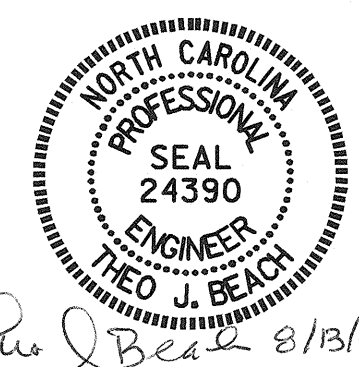
ELEVATION OF WING (W1)



ELEVATION OF WING (W2)

PROJECT NO. R-3427
YADKIN COUNTY
 STATION: 236+73.00 -L-
 SHEET 2 OF 3

STATE OF NORTH CAROLINA DEPARTMENT OF TRANSPORTATION RALEIGH					
SUBSTRUCTURE END BENT No. 1					
REVISIONS					SHEET NO.
NO.	BY	DATE	NO.	BY	DATE
1			3		
2			4		
					S-19
					TOTAL SHEETS 31



DRAWN BY : P.C. BREWER DATE : 6/26/03
 CHECKED BY : S.B. WILLIAMS DATE : 7/16/03