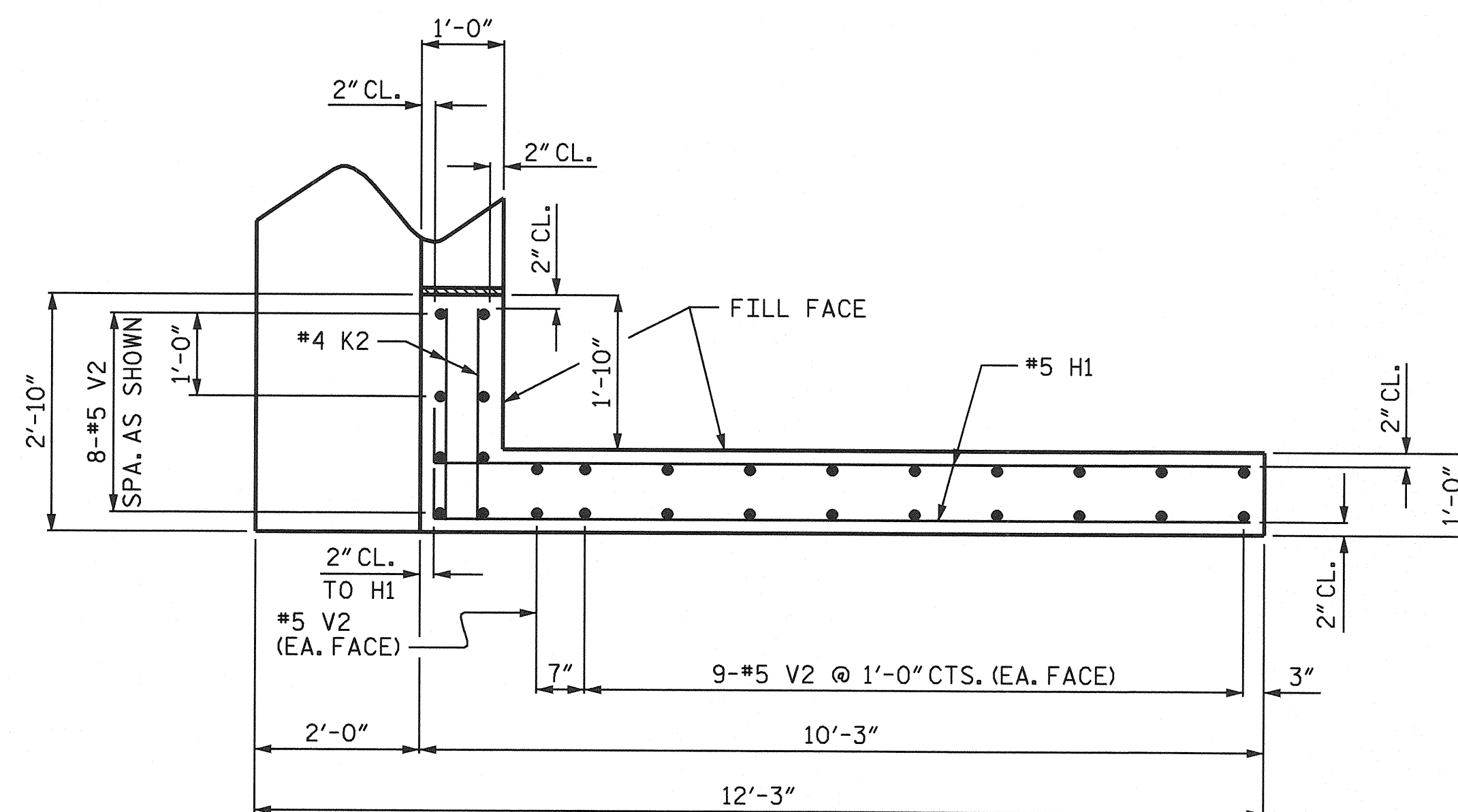
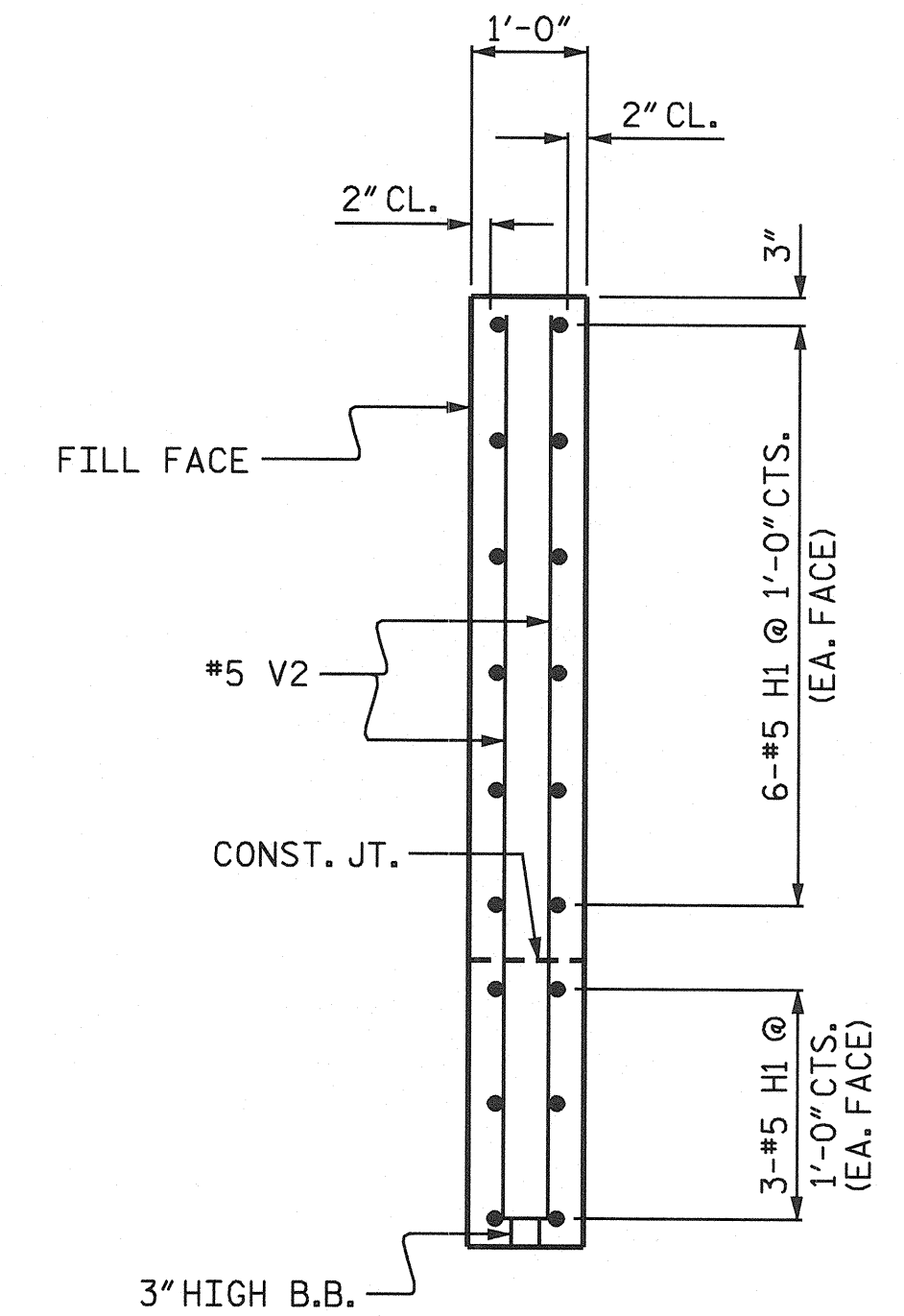


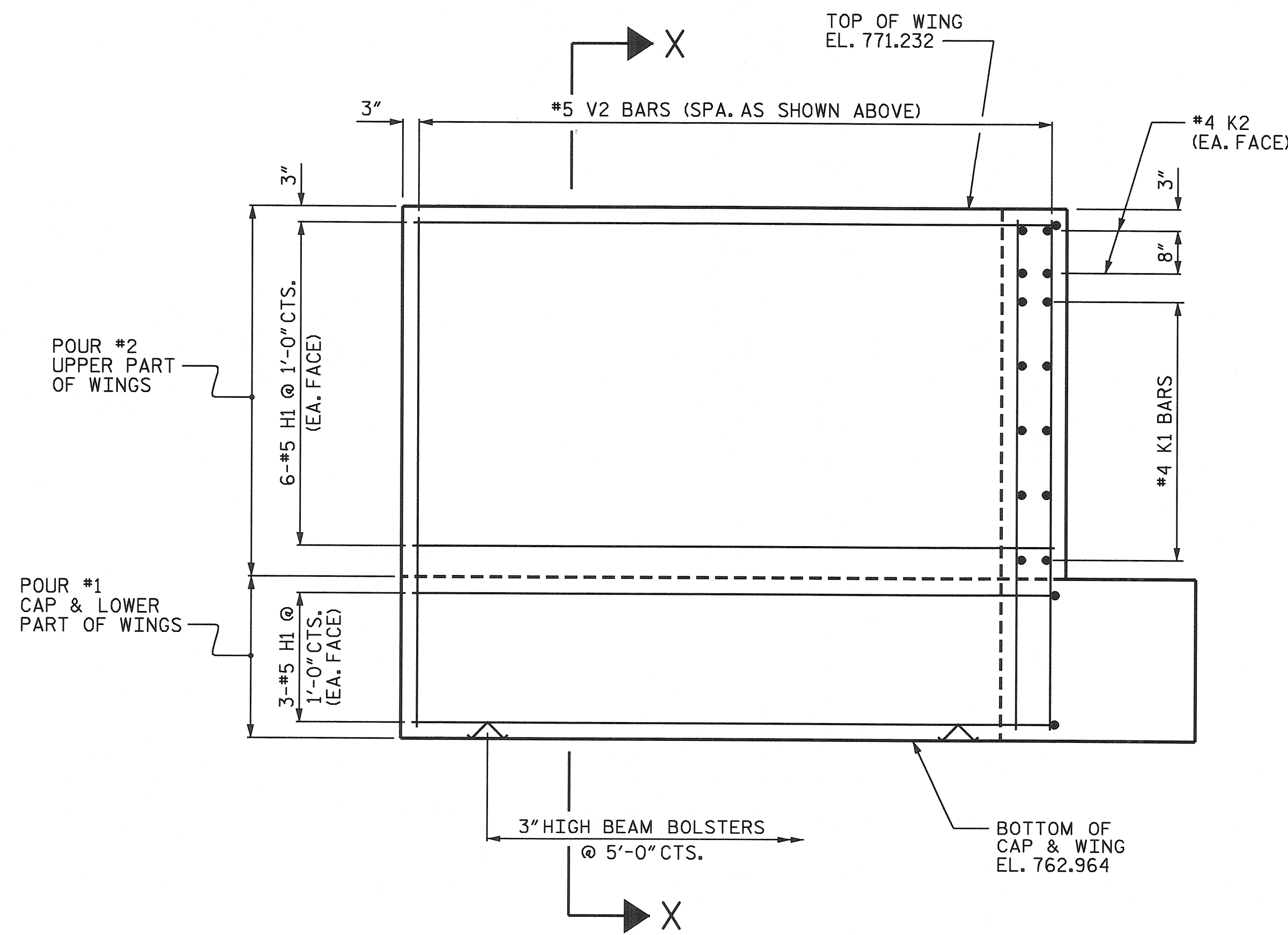
PLAN OF WING (W1)



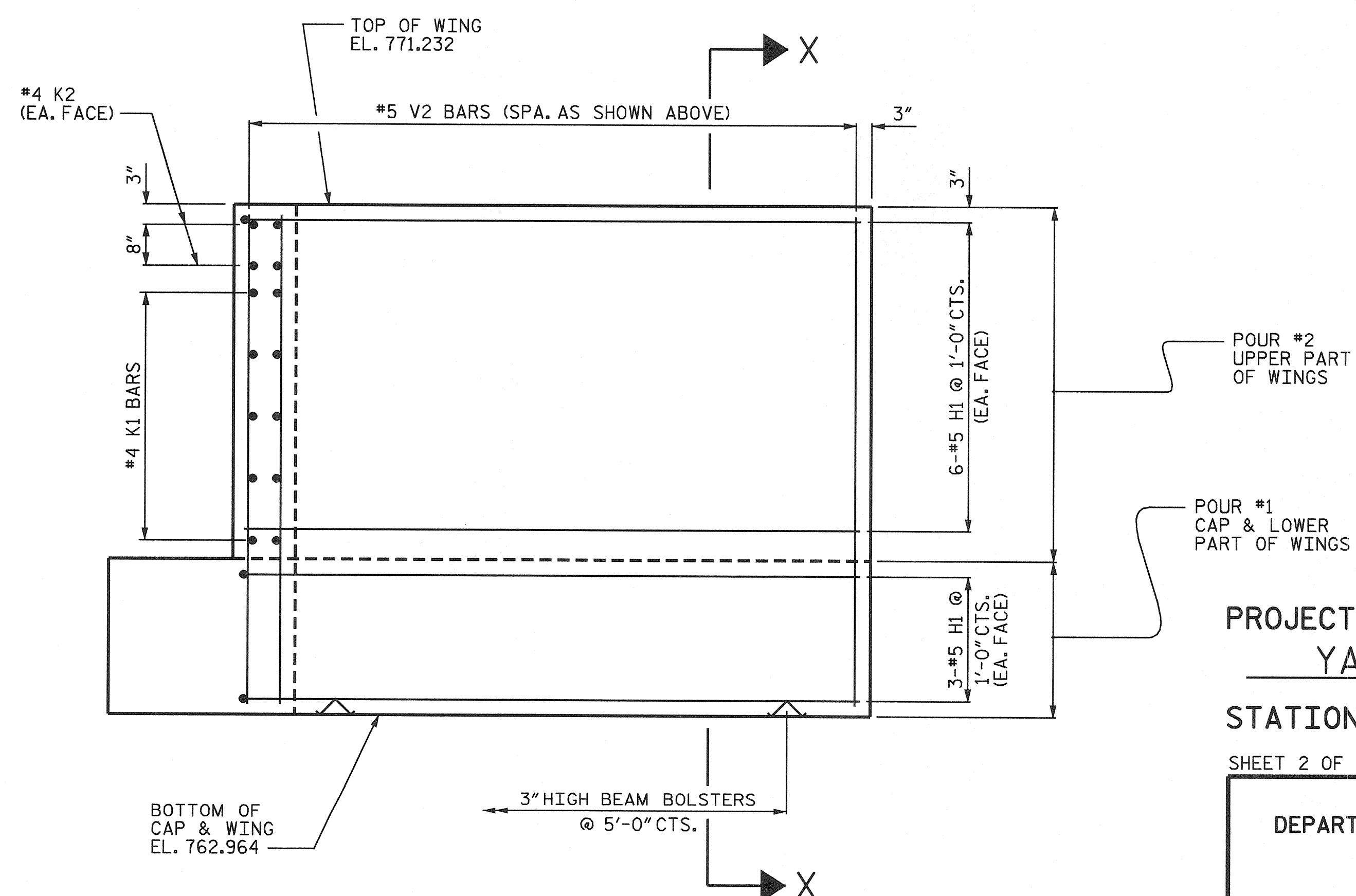
PLAN OF WING (W2)



SECTION X-X



ELEVATION OF WING (W1)



ELEVATION OF WING (W2)

PROJECT NO. R-3427
 YADKIN COUNTY
 STATION: 236+73.00 -L-

SHEET 2 OF 3

STATE OF NORTH CAROLINA
 DEPARTMENT OF TRANSPORTATION
 RALEIGH

SUBSTRUCTURE
 END BENT No. 2



Theo J. Beach 8/13/04

REVISIONS						SHEET NO. S-26
NO.	BY:	DATE:	NO.	BY:	DATE:	
1			3			TOTAL SHEETS 31
2			4			

DRAWN BY: P.C. BREWER DATE: 7/8/03
 CHECKED BY: S.B. WILLIAMS DATE: 7/16/03

13-AUG-2004 12:11
 W:\sqad\vr3427\str1\pbrewer\Microstation\VR3427.sd_EB2.01.dgn
 tbeach