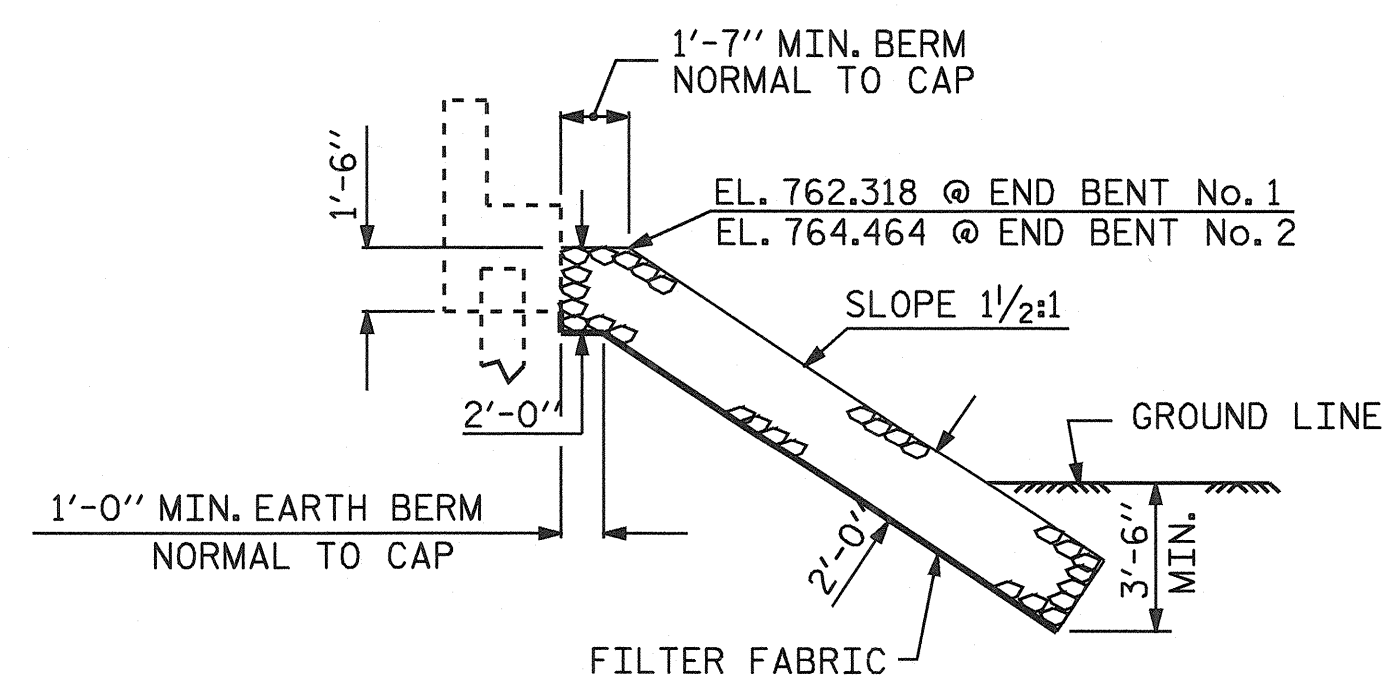


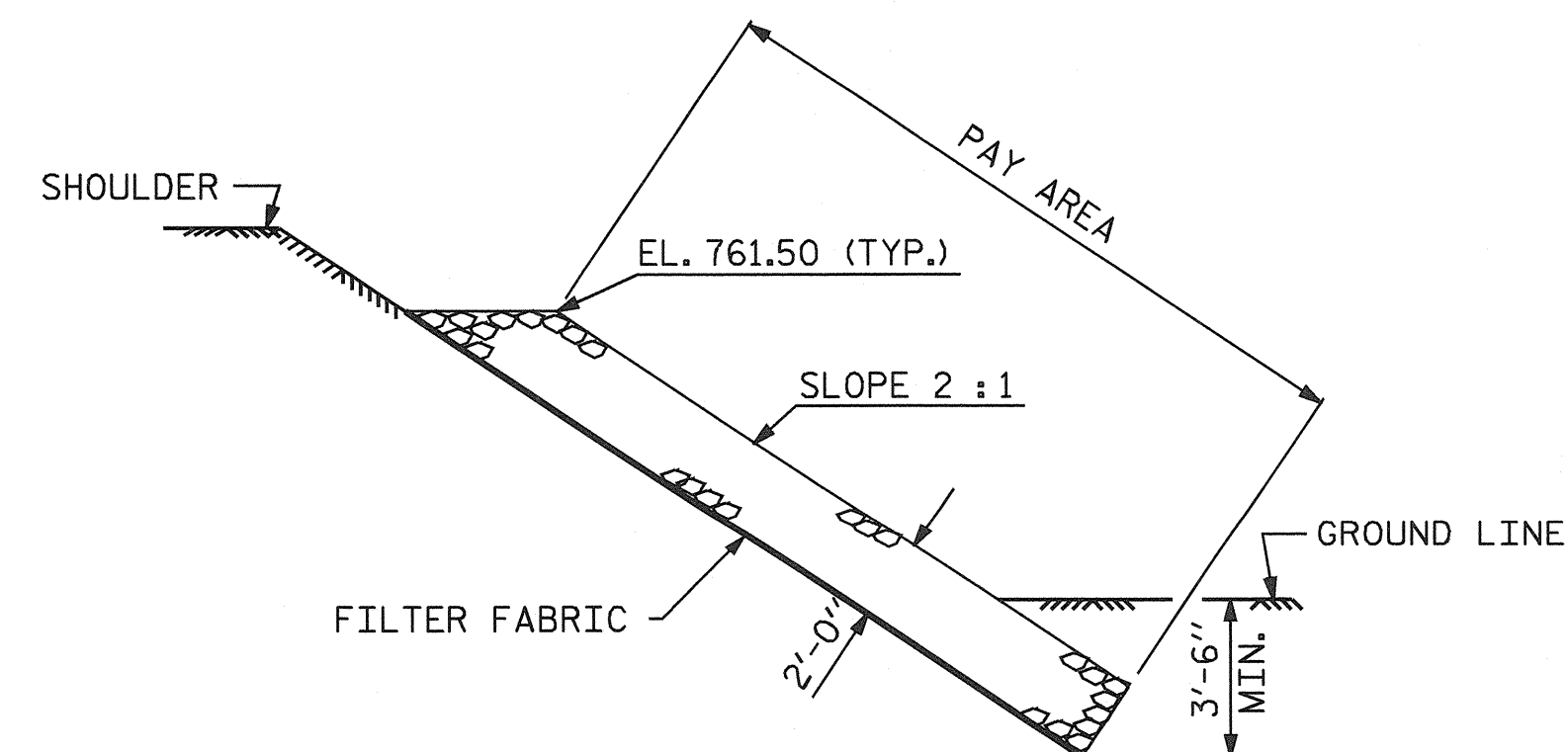
PLAN OF RIP RAP AT END BENT No. 1

PLAN OF RIP RAP AT END BENT No. 2

ESTIMATED QUANTITIES		
BRIDGE AT STA. 236+73.00 -L-	PLAIN RIP RAP CLASS II	FILTER FABRIC FOR DRAINAGE
	TONS	SQUARE YARDS
END BENT No. 1	330	367
END BENT No. 2	355	394



SECTION A-A



SECTION B-B

PROJECT NO. R-3427
YADKIN COUNTY
 STATION: 236+73.00 -L-

STATE OF NORTH CAROLINA DEPARTMENT OF TRANSPORTATION RALEIGH					
STANDARD RIP RAP DETAILS					
REVISIONS					SHEET NO.
NO.	BY:	DATE:	NO.	BY:	DATE:
1			3		
2			4		
					TOTAL SHEETS
					31



Theo J. Beach 8/13/04

ASSEMBLED BY : P.C. BREWER DATE : 6/18/03
 CHECKED BY : T.J. BEACH DATE : 7/26/04
 DRAWN BY : FCJ 2/88 REV. 7/17/98 REK/RWW
 CHECKED BY : ARB 8/88 REV. 8/16/99 RWW/LES
 REV. 10/17/00 RWW/LES