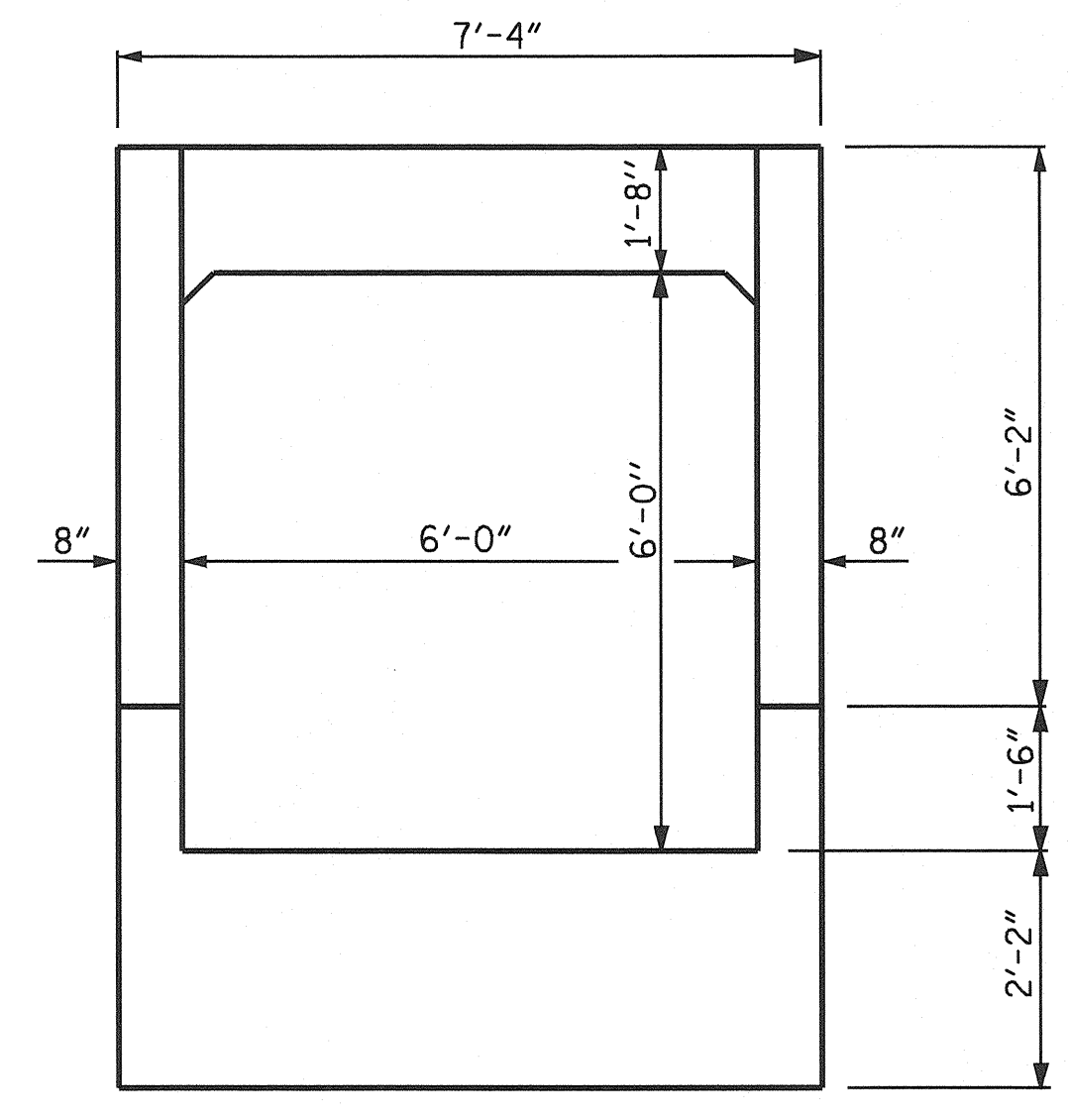
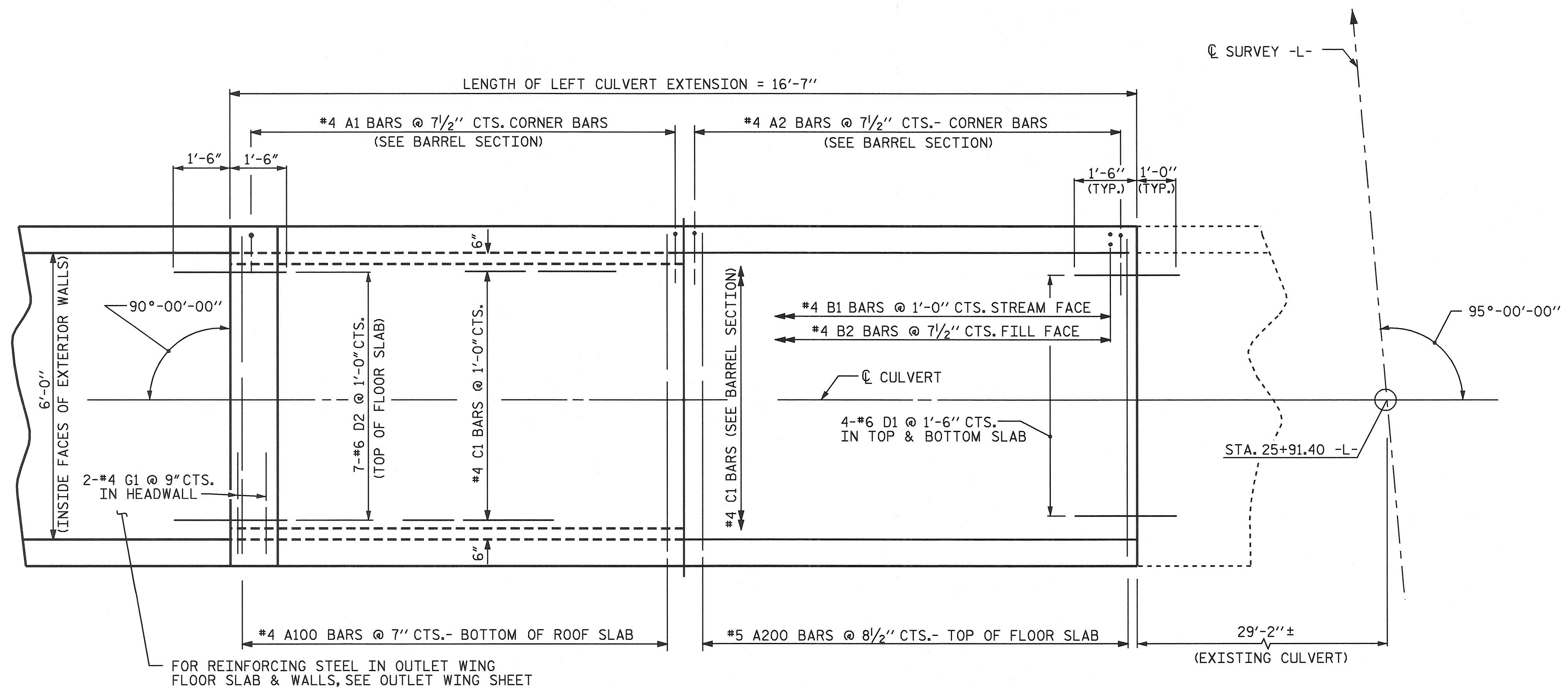


**CULVERT SECTION NORMAL TO ROADWAY**

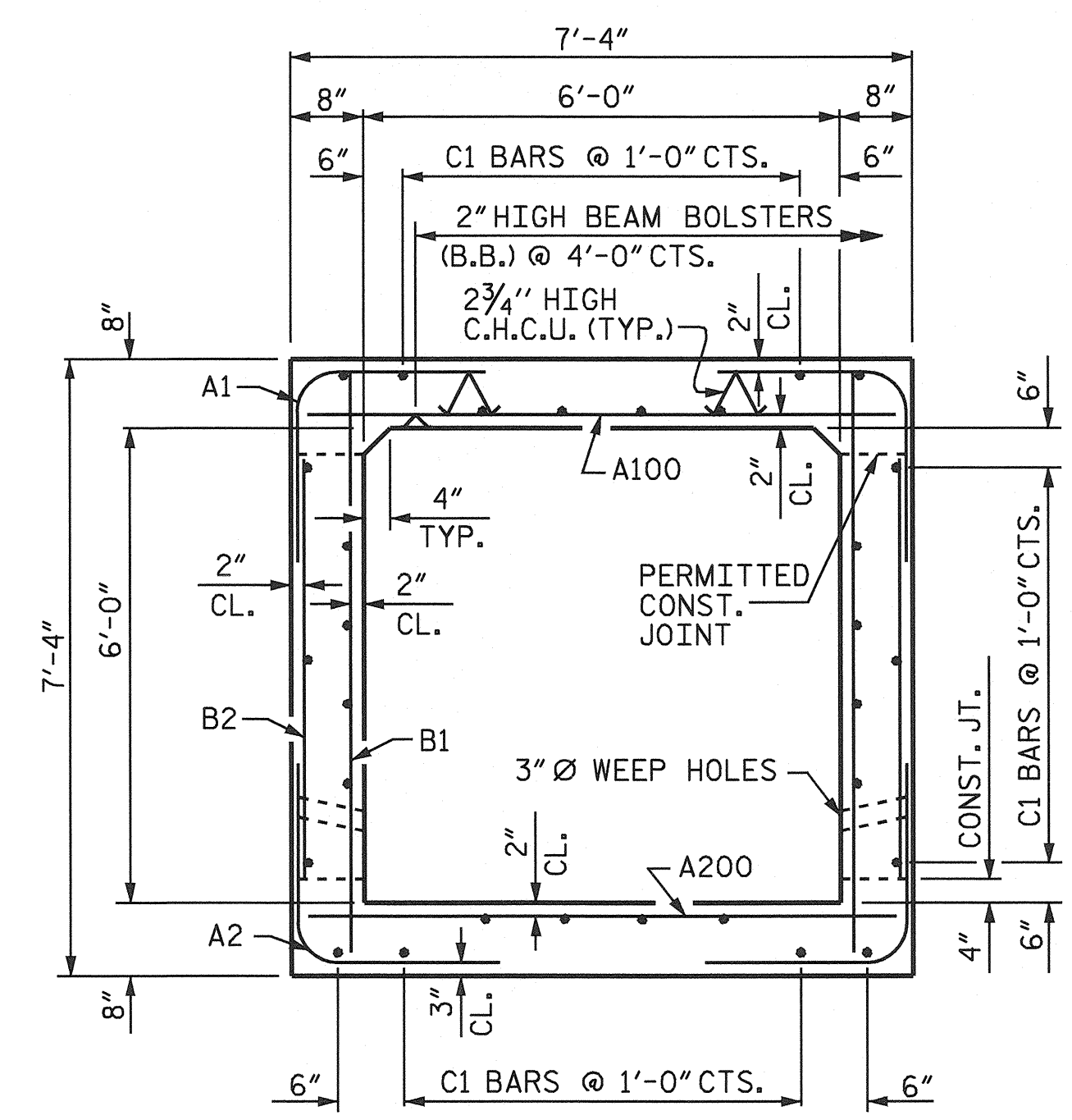


**OUTLET END ELEVATION**



**PART PLAN ROOF SLAB**

**PART PLAN FLOOR SLAB**



**RIGHT ANGLE SECTION OF BARREL**

THERE ARE 30 C1 BARS IN SECTION OF BARREL

PROJECT NO. R-3427  
YADKIN COUNTY  
 STATION: 25+91.40 -L-

SHEET 2 OF 5

STATE OF NORTH CAROLINA  
 DEPARTMENT OF TRANSPORTATION  
 RALEIGH

**LEFT EXTENSION  
 SINGLE 6 FT. X 6 FT.  
 CONCRETE BOX CULVERT  
 (OUTLET)**



REVISION 11-19-99 BY M.M. CHECKED BY R.W.W.  
 REVISION 8-28-92 BY E.L.R. CHECKED BY G.A.P.  
 REVISION 8-22-89 BY A.R.B. CHECKED BY C.A.C.  
 REDRAWN 8-22-1989

ASSEMBLED BY : <u>DAN PLATICA</u> DATE : <u>3/20/03</u>	<b>SPECIAL</b>
CHECKED BY : <u>S.B. WILLIAMS</u> DATE : <u>4/24/03</u>	
DRAWN BY : <u>R. WRIGHT</u> DATE : <u>AUG. 1989</u>	<b>STANDARD</b>
CHECKED BY : <u>A.R. BISSETTE</u> DATE : <u>AUG. 1989</u>	

REVISIONS						SHEET NO. C-2
NO.	BY:	DATE:	NO.	BY:	DATE:	
1			3			TOTAL SHEETS 9
2			4			