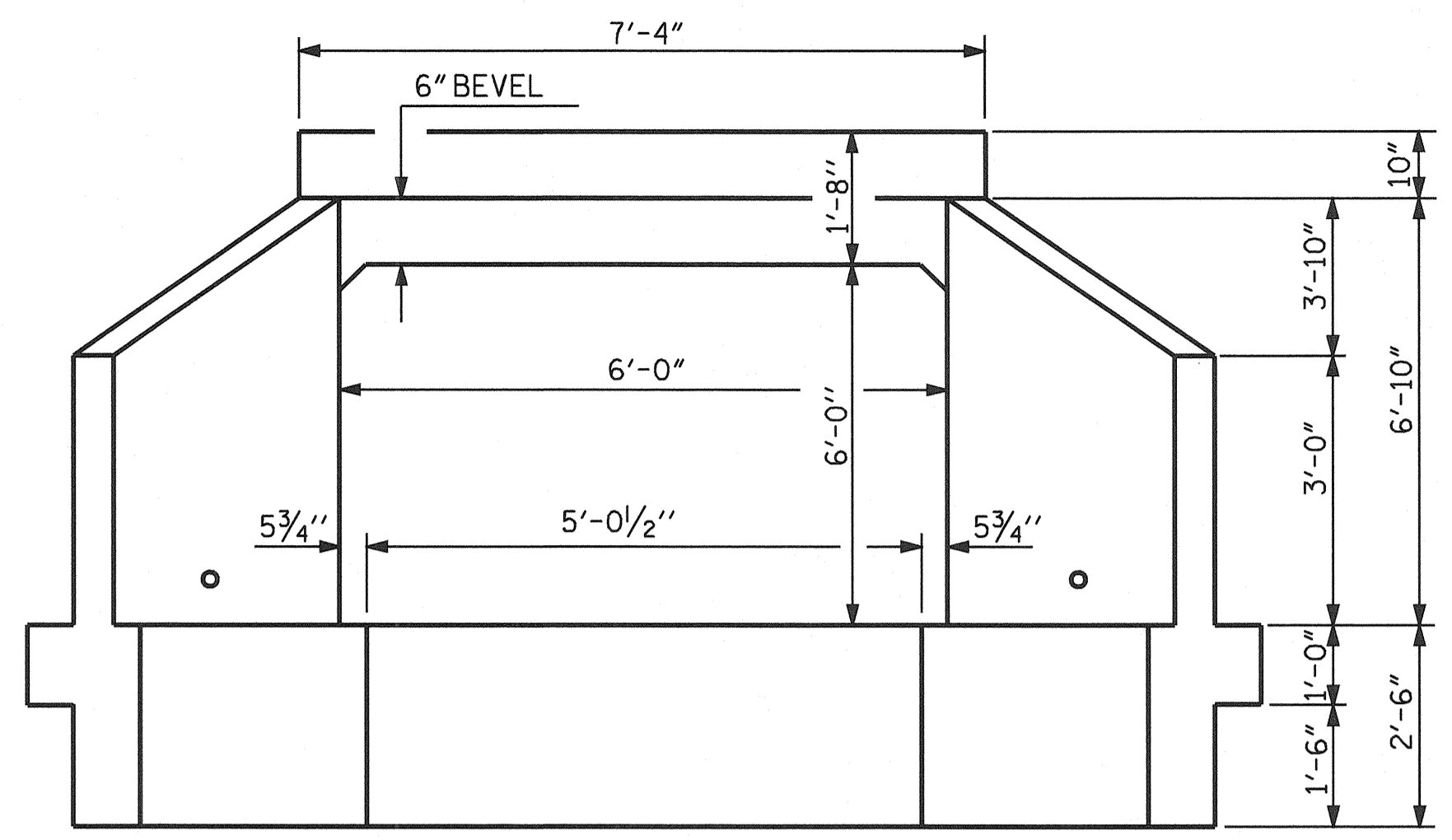
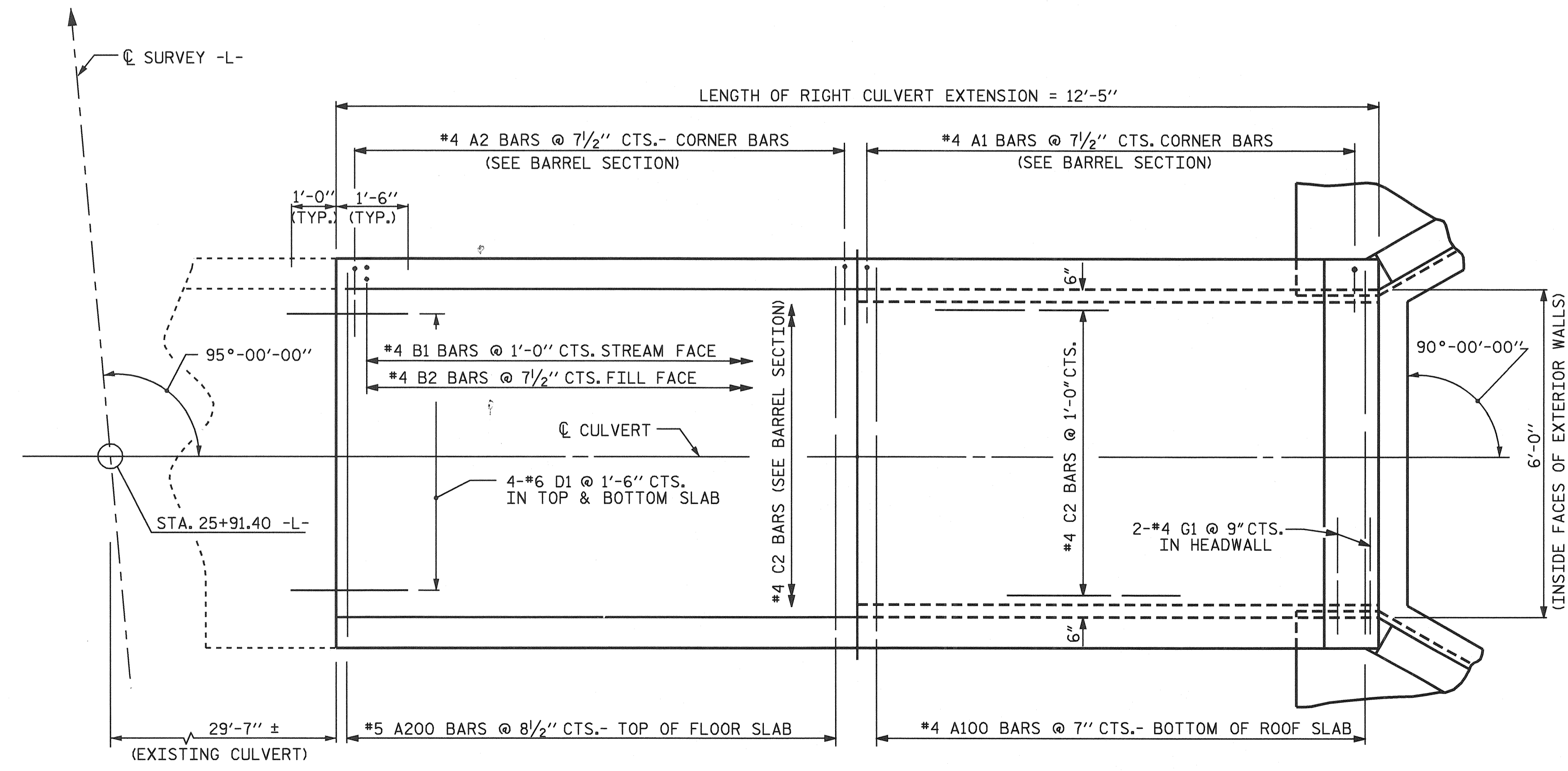


**CULVERT SECTION NORMAL TO ROADWAY**

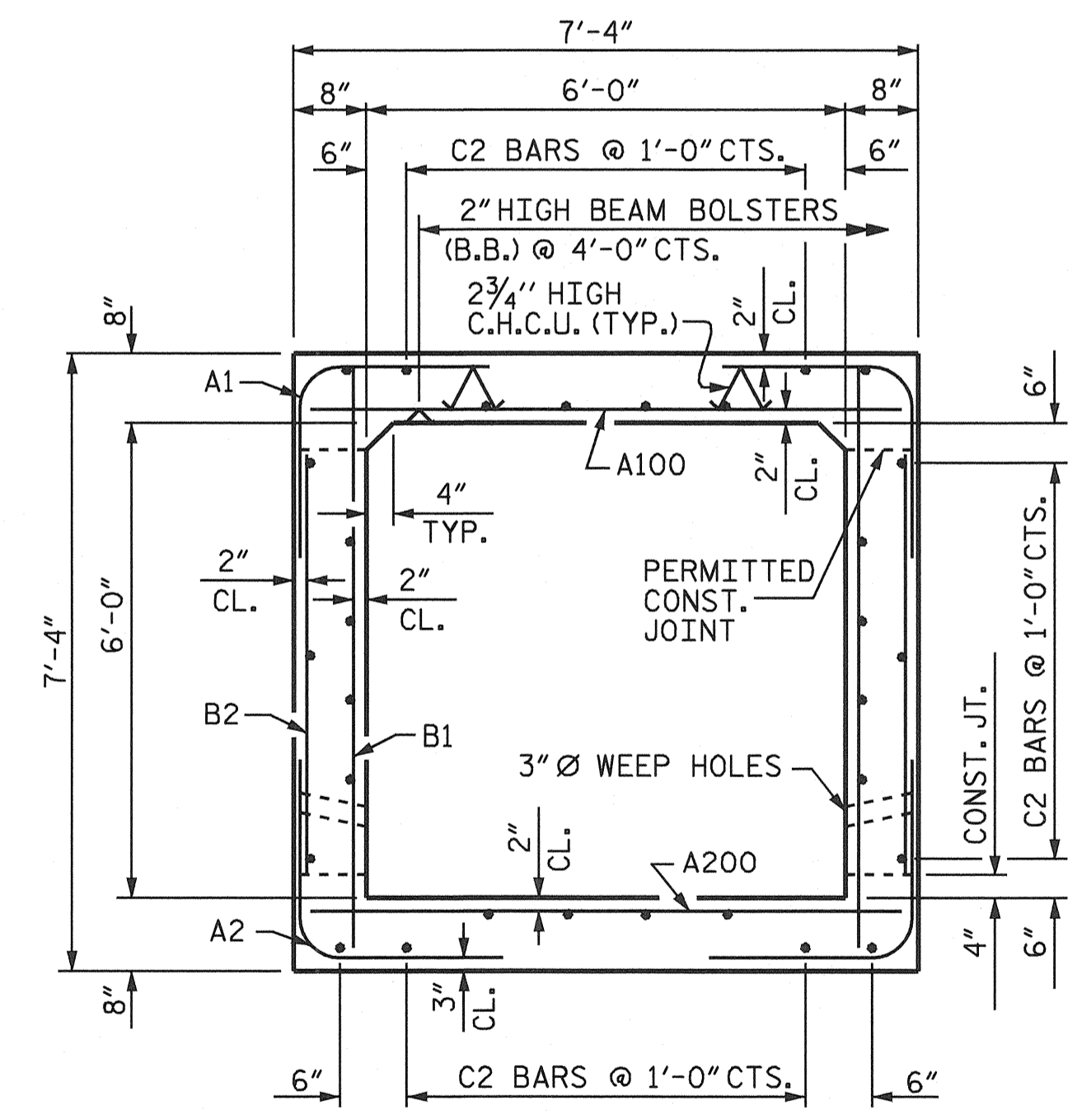


**INLET END ELEVATION**



**PART PLAN FLOOR SLAB**

**PART PLAN ROOF SLAB**

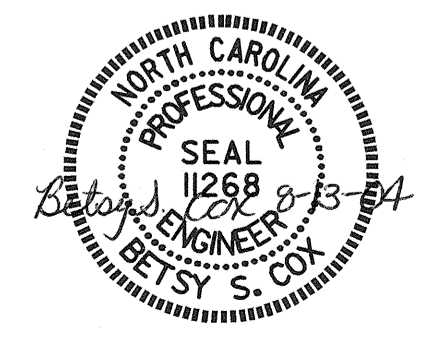


**RIGHT ANGLE SECTION OF BARREL**  
THERE ARE 30 C2 BARS IN SECTION OF BARREL

PROJECT NO. R-3427  
YADKIN COUNTY  
STATION: 25+91.40 -L-

SHEET 3 OF 5

STATE OF NORTH CAROLINA  
DEPARTMENT OF TRANSPORTATION  
RALEIGH  
**RIGHT EXTENSION  
SINGLE 6 FT. X 6 FT.  
CONCRETE BOX CULVERT  
( INLET )**



REVISED 8-28-92 BY E.L.R. CHECKED BY G.R.P.  
REVISED 8-22-89 BY A.R.B. CHECKED BY C.R.K.  
REDRAWN 8-22-1989  
REVISED 11-19-99 BY M.M. CHECKED BY R.W.W.

ASSEMBLED BY : <u>DAN PLATICA</u> DATE : <u>3/21/03</u>	<b>SPECIAL</b>
CHECKED BY : <u>S.B. WILLIAMS</u> DATE : <u>4/24/03</u>	
DRAWN BY : <u>R. WRIGHT</u> DATE : <u>AUG. 1989</u>	<b>STANDARD</b>
CHECKED BY : <u>A.R. BISSETTE</u> DATE : <u>AUG. 1989</u>	

REVISIONS						SHEET NO. C-3
NO.	BY:	DATE:	NO.	BY:	DATE:	
1			3			TOTAL SHEETS 9
2			4			