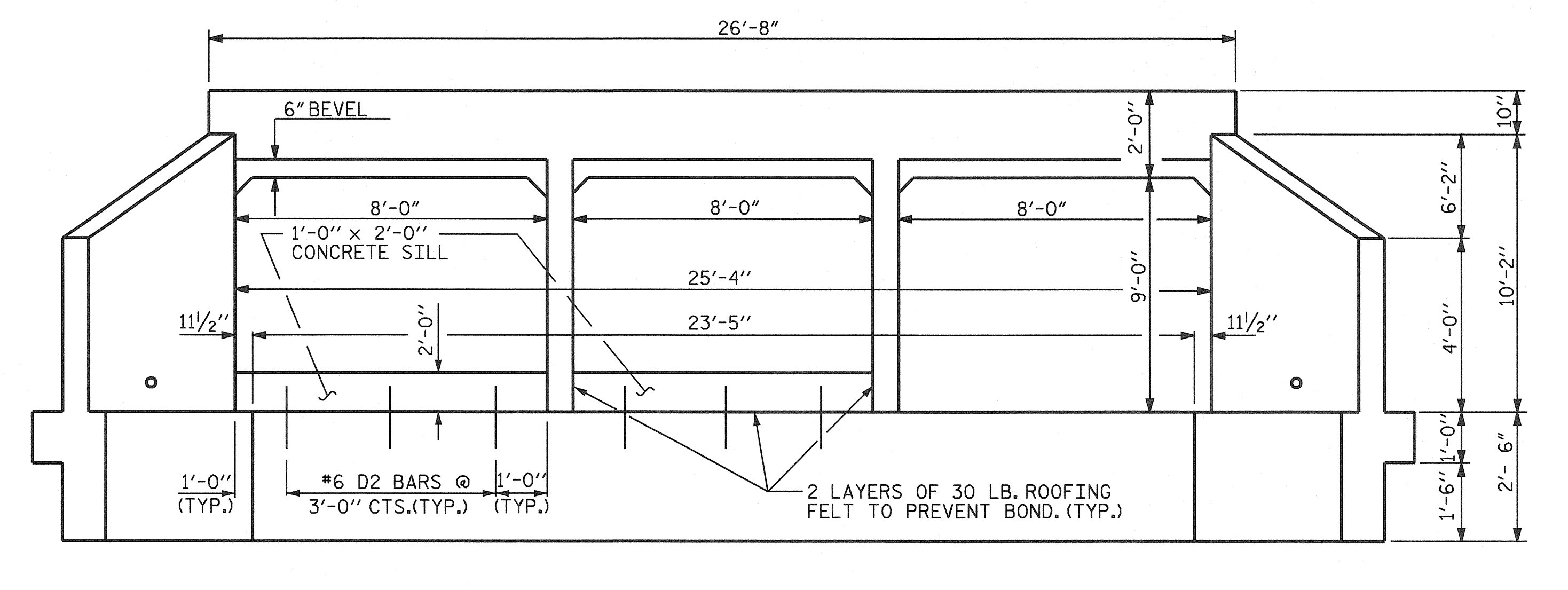
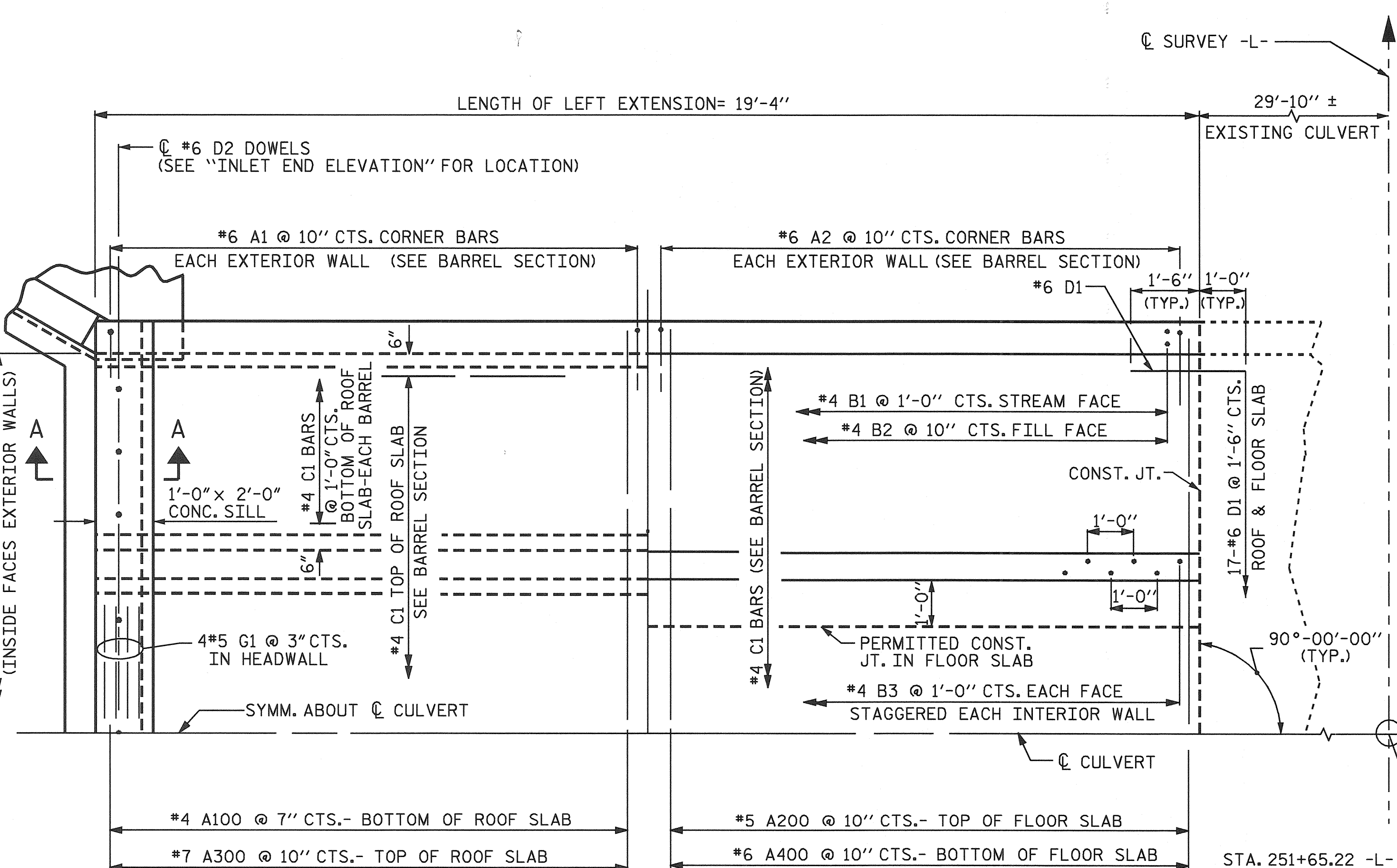


CULVERT SECTION NORMAL TO ROADWAY

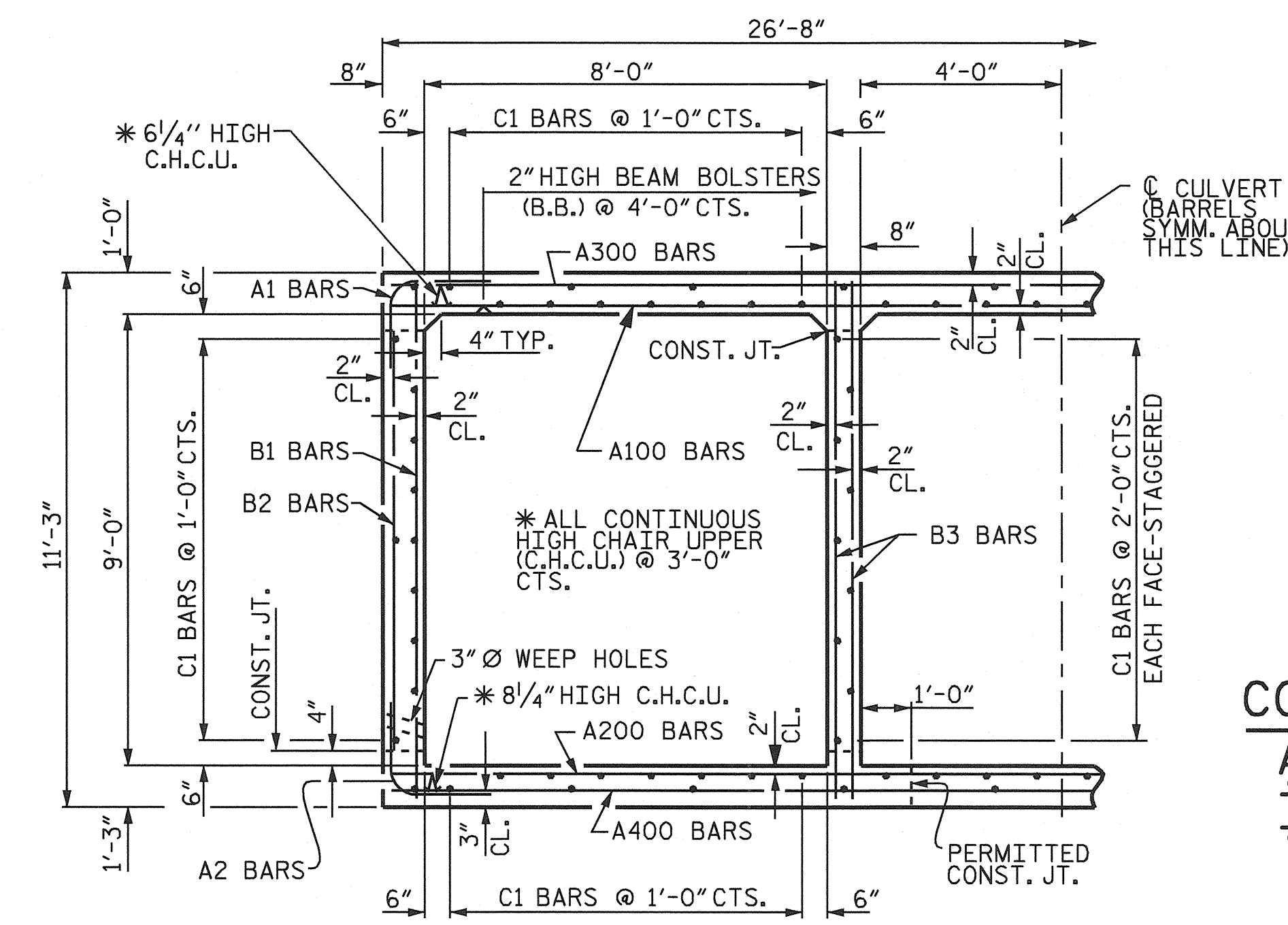


INLET END ELEVATION

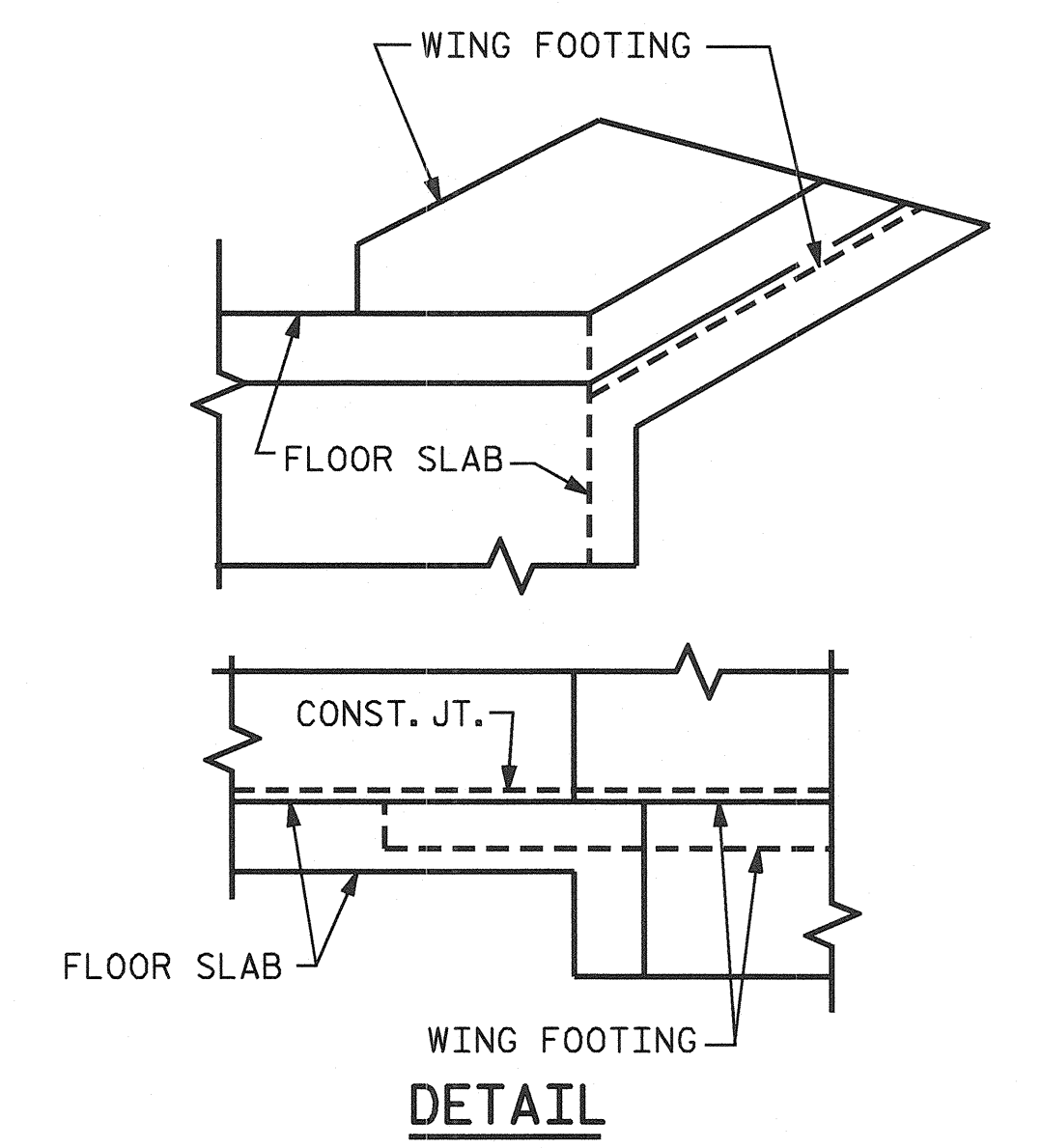


PART PLAN - ROOF SLAB

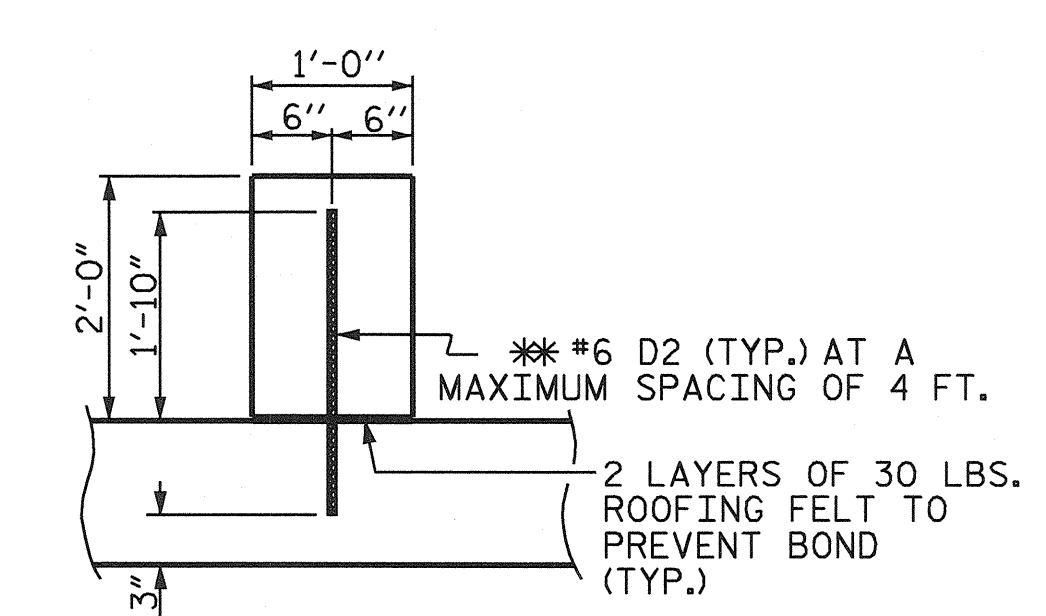
PART PLAN - FLOOR SLAB



RIGHT ANGLE SECTION OF BARREL
THERE ARE 106 C1 BARS IN SECTION OF BARREL



CONNECTION OF WING FOOTING AND FLOOR SLAB WHEN SLAB IS THICKER THAN FOOTING



SECTION A-A



PROJECT NO. R-3427
YADKIN COUNTY
 STATION: 251+65.22 -L-
 SHEET 2 OF 4

STATE OF NORTH CAROLINA
 DEPARTMENT OF TRANSPORTATION
 RALEIGH
**LEFT EXTENSION
 TRIPLE 8 FT. X 9 FT.
 CONCRETE BOX CULVERT
 (INLET)**

REVISIONS						SHEET NO.
NO.	BY:	DATE:	NO.	BY:	DATE:	C-7
1			3			TOTAL SHEETS 9
2			4			

REVISED 8-28-92 BY E.L.R. CHECKED BY G.R.P.
 REDRAWN NOV. 1990 BY T.S.S. CHECKED BY A.R.B.
 REVISED 11-19-99 BY M.M. CHECKED BY R.W.W.

ASSEMBLED BY : <u>DAN PLATICA</u> DATE : <u>4/16/03</u>	SPECIAL
CHECKED BY : <u>S.B. WILLIAMS</u> DATE : <u>4/30/03</u>	
DRAWN BY : <u>JOEL JOHNSON</u> DATE : <u>MAR. 1971</u>	STANDARD
CHECKED BY : <u>GARY BROOME</u> DATE : <u>MAR. 1971</u>	