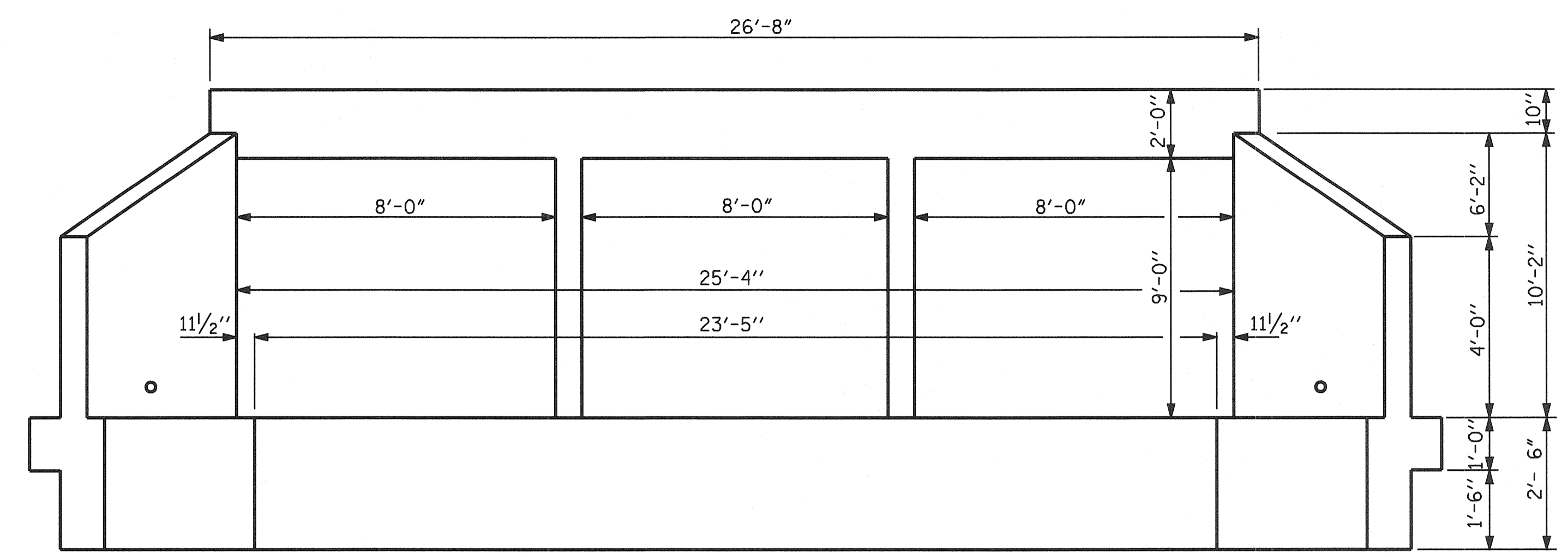
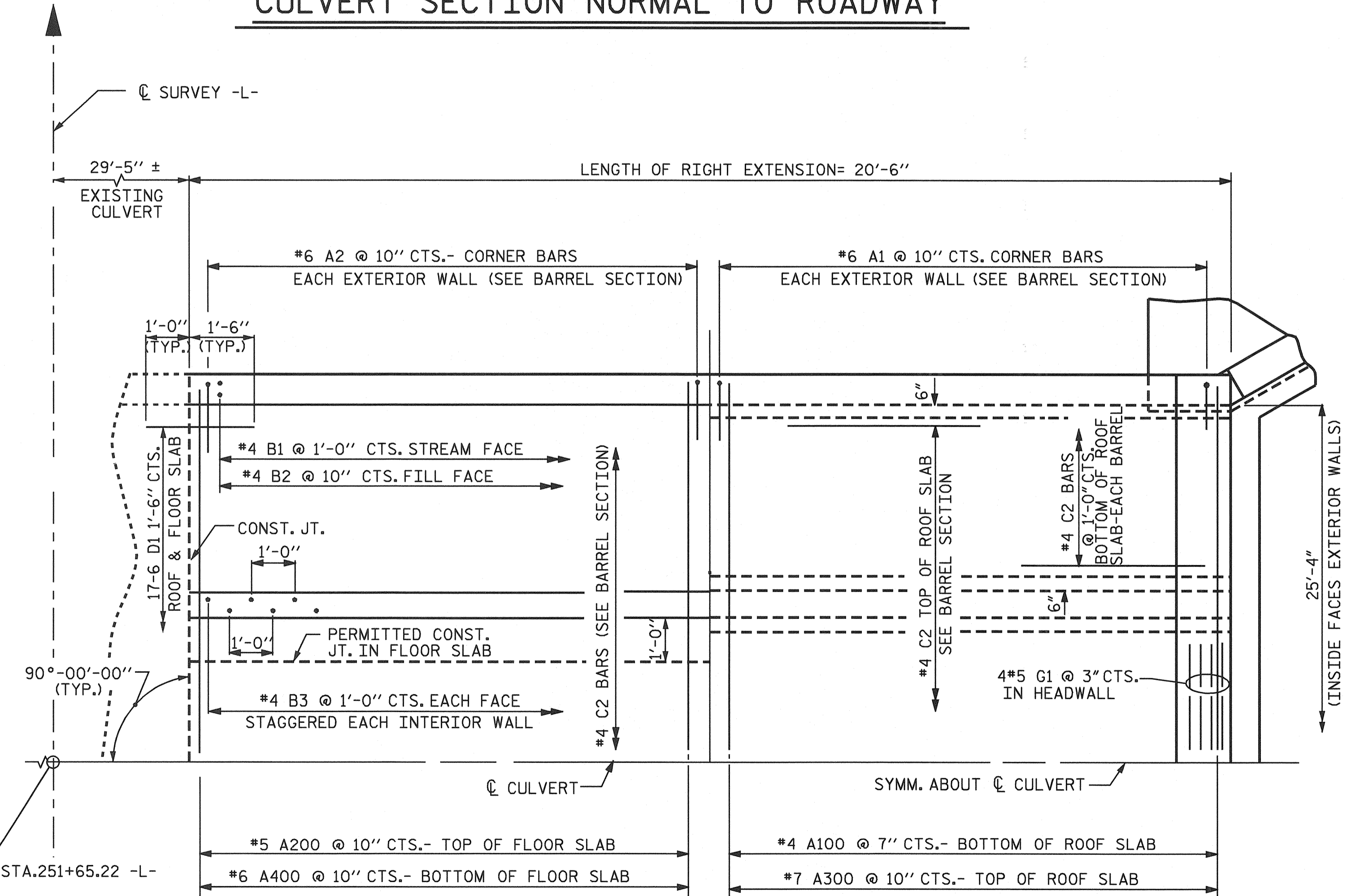


**CULVERT SECTION NORMAL TO ROADWAY**

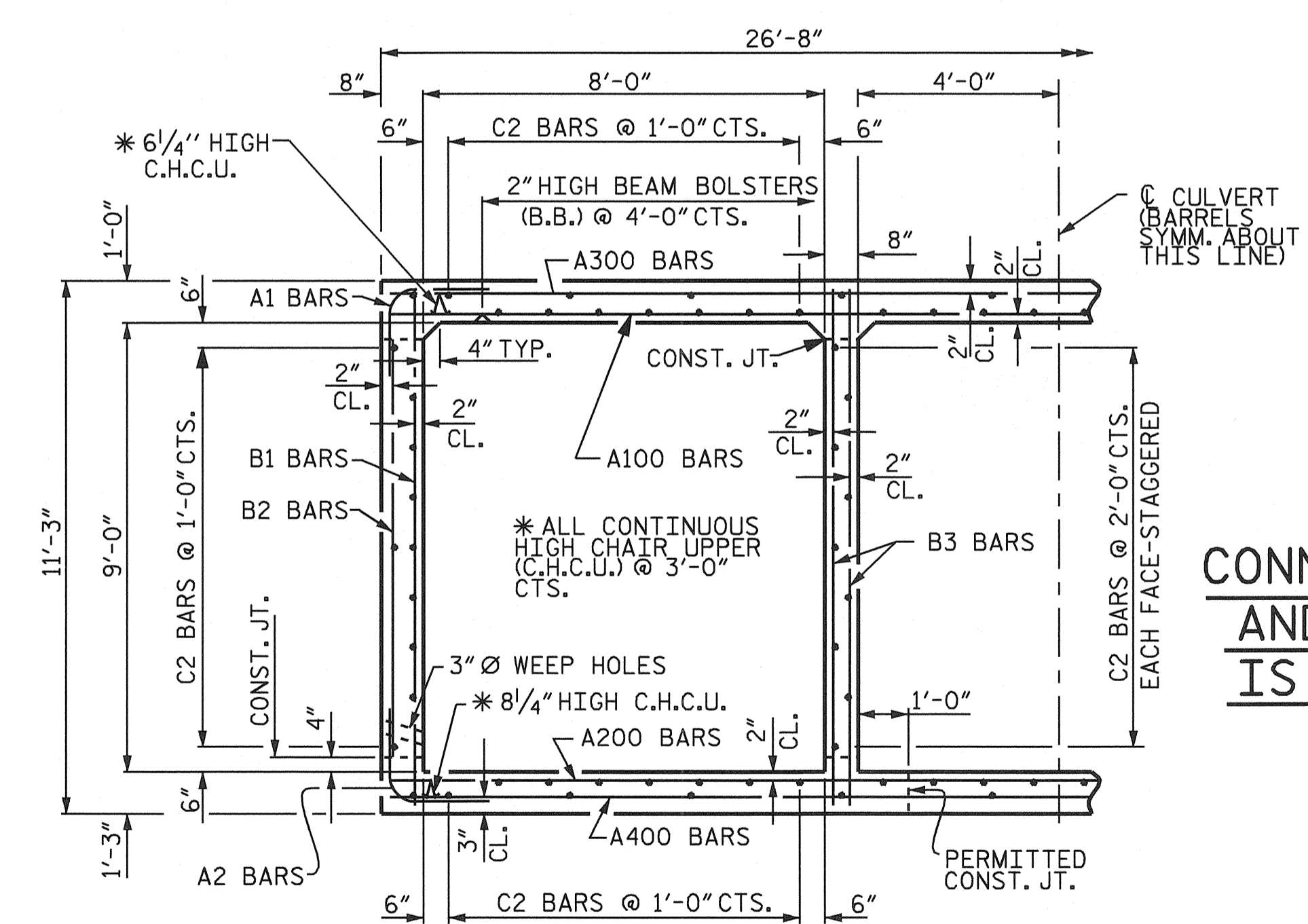


**OUTLET END ELEVATION**

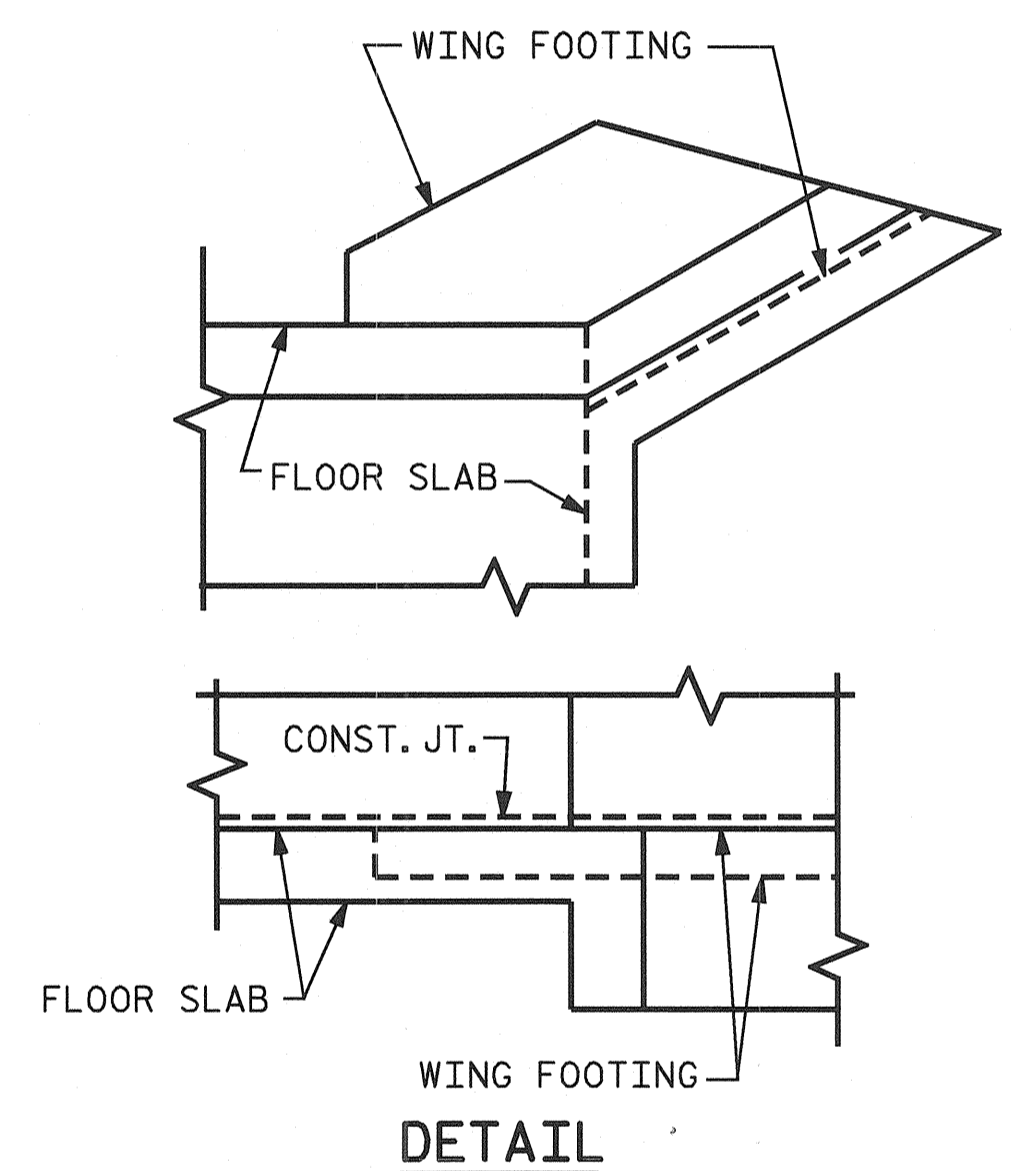


**PART PLAN - FLOOR SLAB**

**PART PLAN - ROOF SLAB**



**RIGHT ANGLE SECTION OF BARREL**  
THERE ARE 106 C2 BARS IN SECTION OF BARREL



**CONNECTION OF WING FOOTING AND FLOOR SLAB WHEN SLAB IS THICKER THAN FOOTING**

PROJECT NO. R-3427  
YADKIN COUNTY  
 STATION: 251+65.22 -L-

SHEET 3 OF 4

STATE OF NORTH CAROLINA  
 DEPARTMENT OF TRANSPORTATION  
 RALEIGH  
**RIGHT EXTENSION  
 TRIPLE 8 FT. X 9 FT.  
 CONCRETE BOX CULVERT  
 (OUTLET)**



REVISED 8-28-92 BY E.L.R. CHECKED BY G.R.P.  
 REDRAWN NOV. 1990 BY T.S.S. CHECKED BY A.R.B.  
 REVISED 11-19-99 BY M.M. CHECKED BY R.W.W.

ASSEMBLED BY : DAN PLATICA	DATE : 4/16/03	<b>SPECIAL</b>
CHECKED BY : S.B. WILLIAMS	DATE : 4/30/03	
DRAWN BY : JOEL JOHNSON	DATE : MAR. 1971	<b>STANDARD</b>
CHECKED BY : GARY BROOME	DATE : MAR. 1971	

REVISIONS						TOTAL SHEETS
NO.	BY:	DATE:	NO.	BY:	DATE:	9
1			3			
2			4			