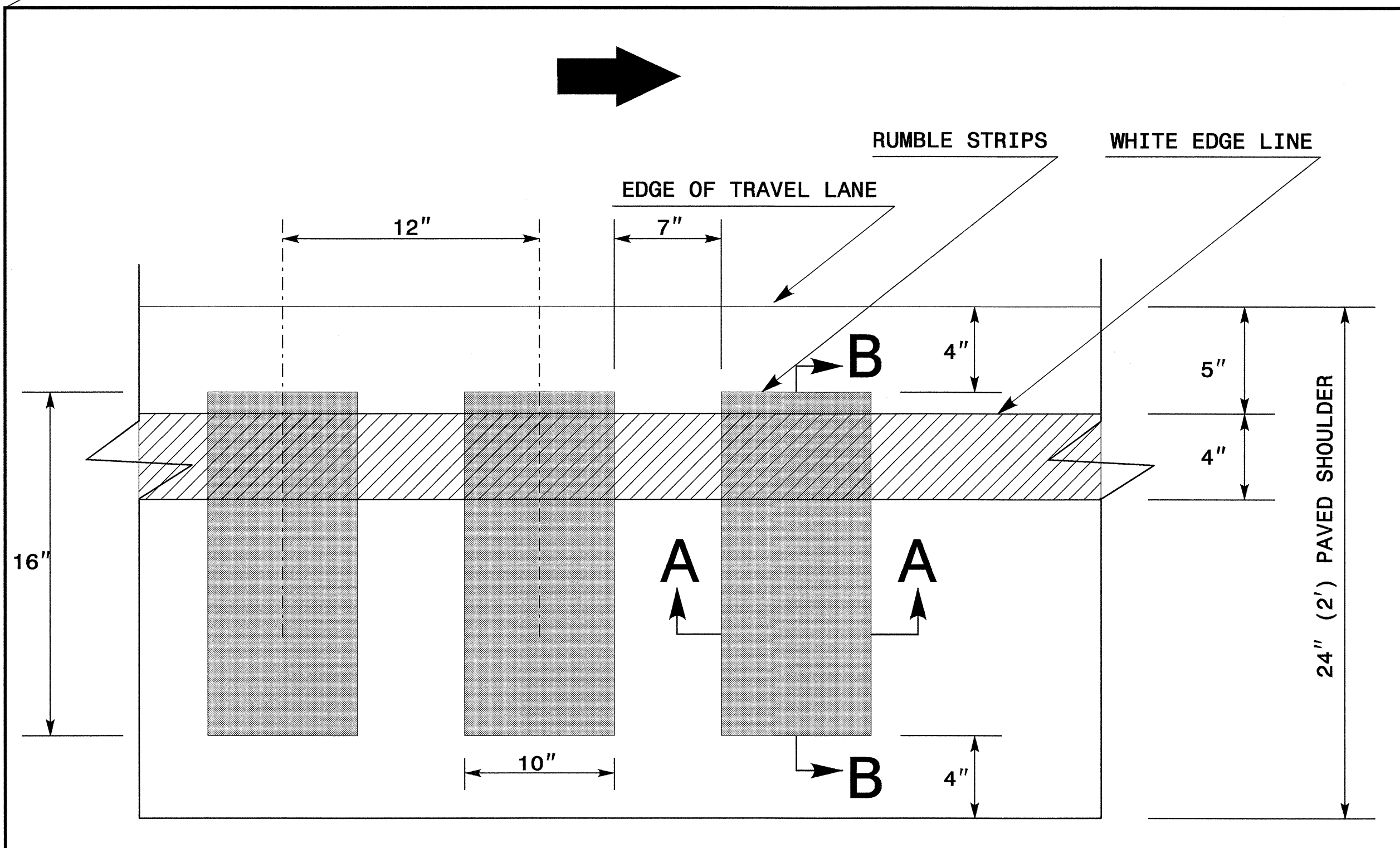


RUMBLE STRIPE DETAIL

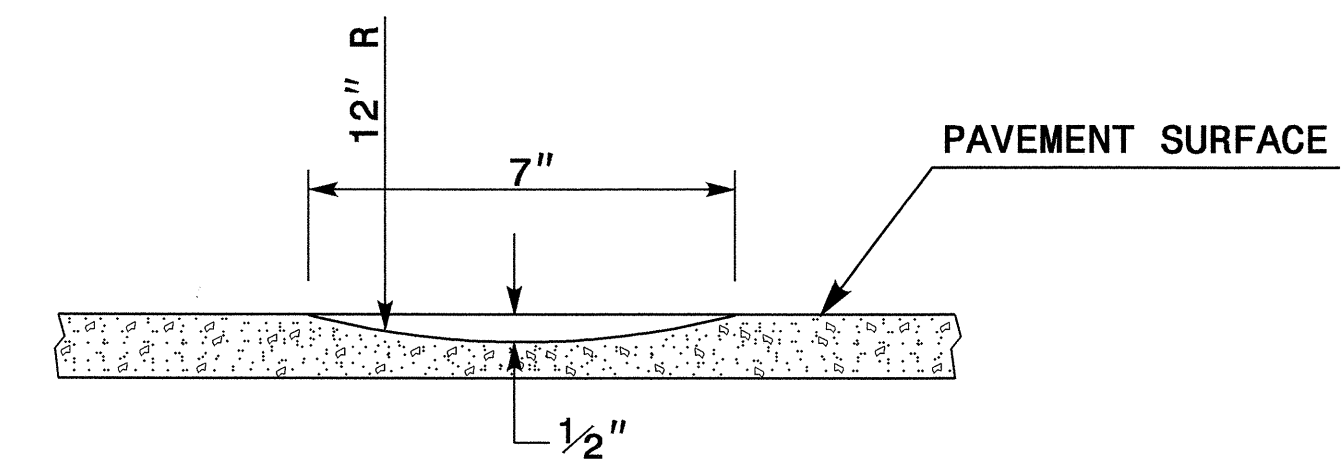


RUMBLE STRIPES TO BE INSTALLED ON THE BOTH SHOULDERS ALONG US 601 (-L-)

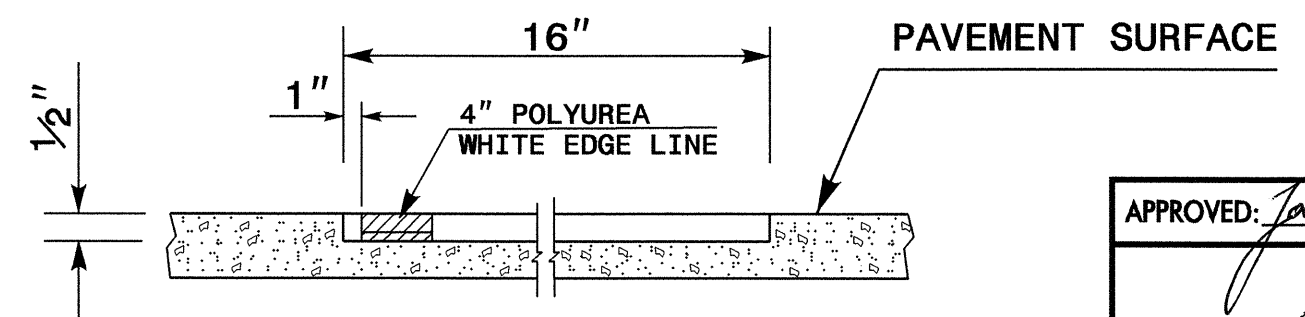
NOTE:
APPLY THE POLYUREA PAVEMENT MARKING AND REFLECTIVE ELEMENTS TO BE UNIFORM THROUGHOUT THE RUMBLE STRIP AS SHOWN IN RUMBLE STRIPE DETAIL ABOVE

FINAL PAVEMENT MARKING SCHEDULE

SYMBOL	DESCRIPTION	PAY ITEM/ QUANTITY BREAKDOWN	TOTAL QUANTITY
PAVEMENT MARKING LINES			
POLYUREA (4", 20MLS)			
VA	WHITE EDGELINE	58500 ft.	
VD	2 FT. WHITE MINISKIP	100 ft.	
VE	WHITE SOLID LANE LINE	600 ft.	
VF	10 FT. YELLOW SKIP	2500 ft.	
VH	YELLOW SINGLE CENTER LINE	9800 ft.	
VI	YELLOW DOUBLE CENTER LINE	78500 ft.	
			TOTAL 150000 ft.
VT	YELLOW DIAGONAL	POLYUREA (8", 20MLS) 300 ft.	TOTAL 300 ft.
V2	WHITE STOPBAR	POLYUREA (24", 20MLS) 100 ft.	TOTAL 100 ft.
PAVEMENT MARKING SYMBOLS			
POLYUREA MARKING SYMBOLS			
WA	LEFT TURN ARROW	60 EA	
WB	RIGHT TURN ARROW	12 EA	
WC	STRAIGHT ARROW	12 EA	
WD	COMBINATION STRAIGHT & LEFT TURN ARR	8 EA	
WE	COMBINATION STRAIGHT & RIGHT TURN AR	8 EA	
			TOTAL 100 EA
PAVEMENT MARKERS			
SNOWPLOWABLE RAISED			
ME	TYPE 2, YELLOW & YELLOW	445 EA	
MF	TYPE 3, CRYSTAL & RED	55 EA	
			TOTAL 500 EA



SECTION A-A



SECTION B-B

APPROVED: *Joseph Ishak* DATE: 10/27/04

**FINAL PAVEMENT MARKING PLAN
FINAL PAVEMENT MARKING SCHEDULE
AND RUMBLE STRIPES DETAIL**

SCALE: NONE		REVISIONS
DATE: JULY 2004		
DWG. BY: HAL		
DESIGN BY: HAL		
REVIEWED BY: JI		

26-OCT-2004 09:45
 G:\TCP\pm\AR-3427\TC_B1pm.dgn
 halawandos AT TEL206424