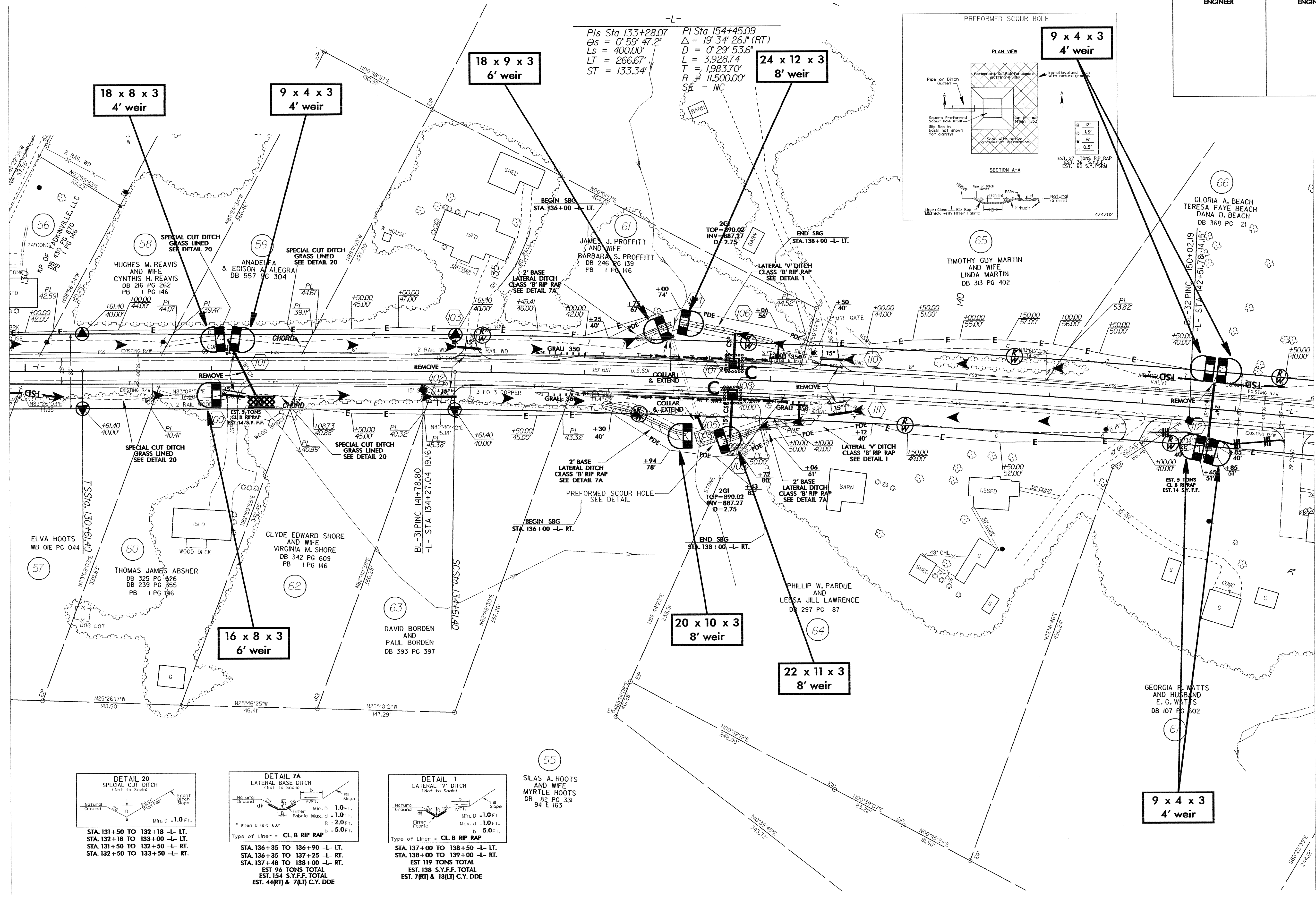


PROJECT REFERENCE NO.	SHEET NO.
R-3427	EC-35/CONST.13
RW SHEET NO.	
ROADWAY DESIGN ENGINEER	HYDRAULICS ENGINEER

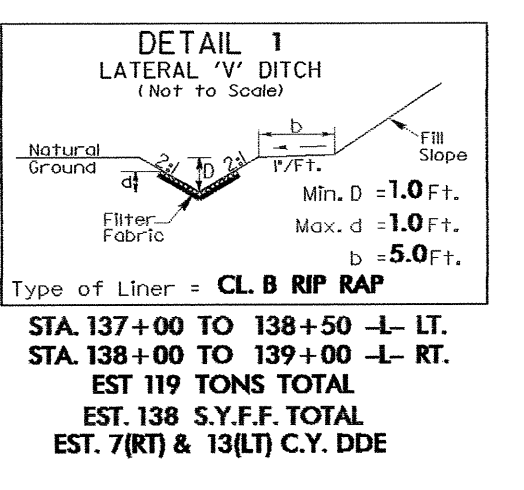
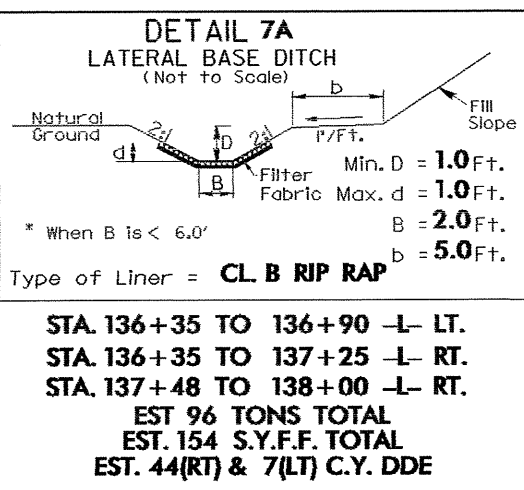
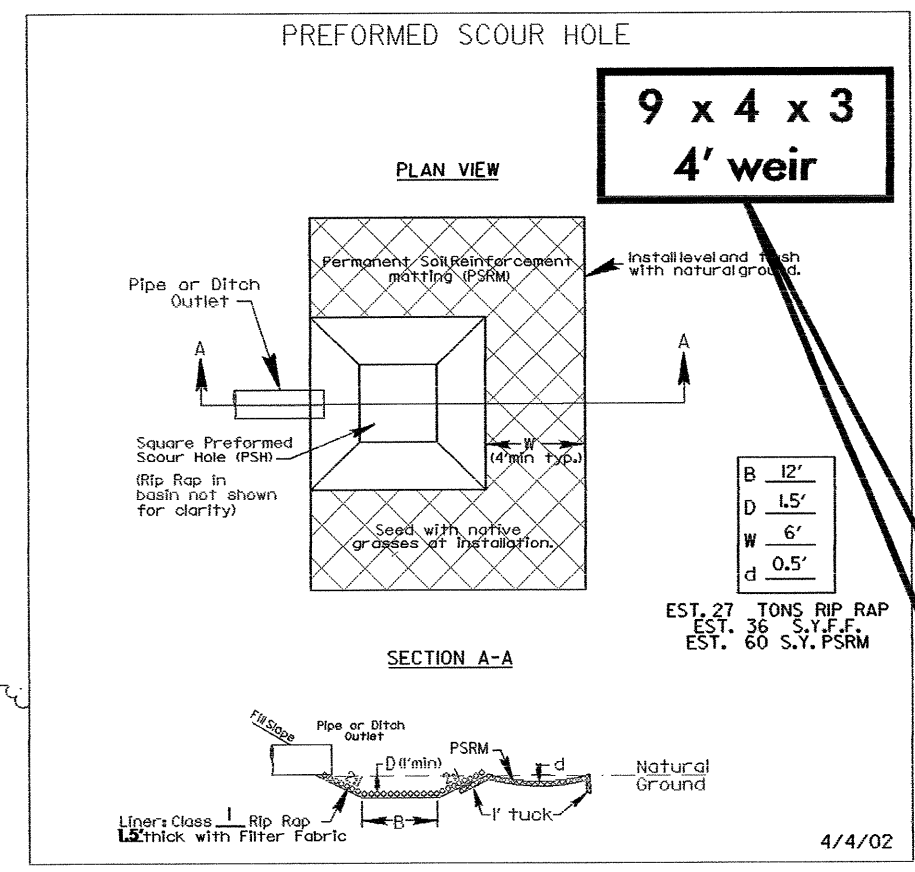
MATCHLINE ** SEE SHEET 12 **

MATCHLINE ** SEE SHEET 14 **



$Pls Sta 133+28.07$
 $\theta_s = 0^{\circ}59'47.2''$
 $L_s = 400.00'$
 $LT = 266.67'$
 $ST = 133.34'$

$PI Sta 154+45.09$
 $\Delta = 19^{\circ}34'26.1''(RT)$
 $D = 0^{\circ}29'53.6''$
 $L = 3,928.74'$
 $T = 1,983.70'$
 $R = 11,500.00'$
 $SE = NC$



7/2/99
 28-SEP-2004 14:08
 D:\revelip\urpl\3-3427\Roadway\as13-3427.dwg
 balackaur