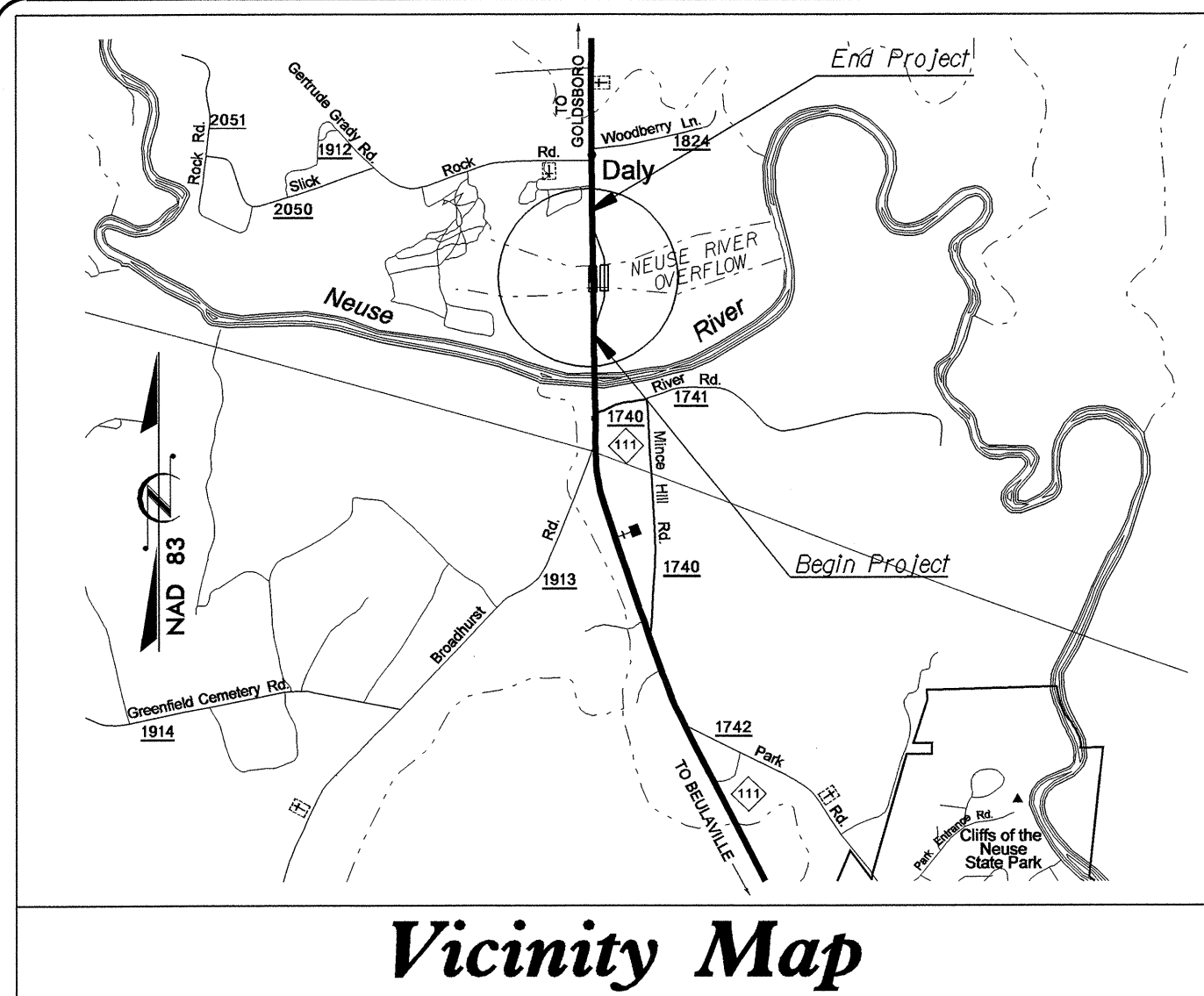


CONTRACT: C201123 TIP PROJECT: B-3711



Vicinity Map

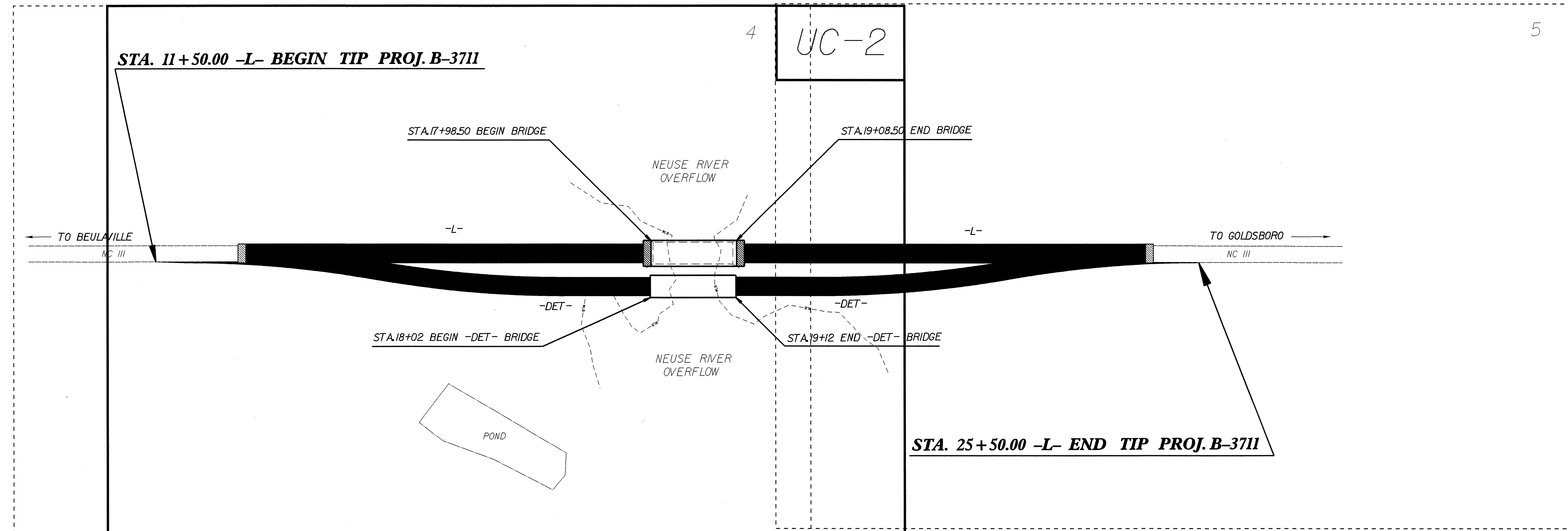
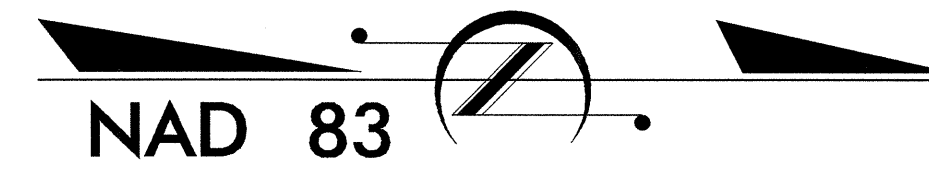
STATE OF NORTH CAROLINA
DIVISION OF HIGHWAYS

**UTILITY CONSTRUCTION PLANS
WAYNE COUNTY**

**LOCATION: BRIDGE NO. 42 OVER NEUSE RIVER OVERFLOW
ON NC III**

TYPE OF WORK: GRADING, DRAINAGE, PAVING, AND STRUCTURES

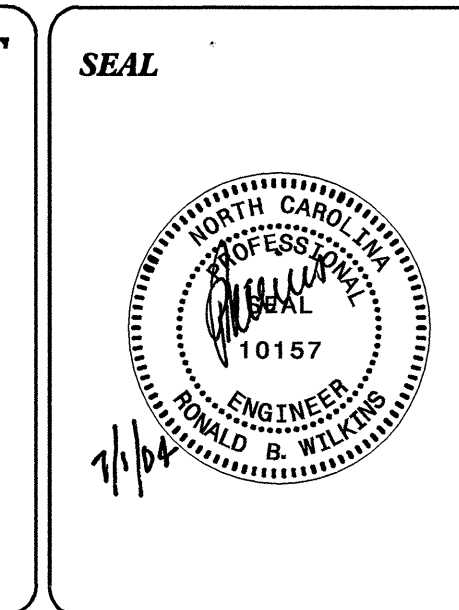
| | |
|-----------------------------|--------------------------|
| T.I.P. NO. B-3711 | SHEET NO. UC-1 |
|-----------------------------|--------------------------|



| INDEX OF SHEETS | |
|-----------------|----------------------------------|
| SHEET NO. | DESCRIPTION |
| UC-1 | TITLE SHEET |
| UC-2 | UTILITY CONSTRUCTION PLAN SHEETS |

WATER AND SEWER OWNERS ON PROJECT

(1) WATER - WAYNE WATER DISTRICT



PREPARED IN THE OFFICE OF:
**DIVISION OF HIGHWAYS
DESIGN SERVICES
UTILITY SECTION**

1591 MAIL SERVICES CENTER
RALEIGH NC 27699-1591
PHONE (919) 250-4128
FAX (919) 250-4119

Roger Worthington, P.E. UTILITIES SECTION ENGINEER
R. B. WILKINS, P.E. UTILITIES SQUAD LEADER PROJECT ENGINEER
MICHAEL R. BRIGHT UTILITIES PROJECT DESIGNER