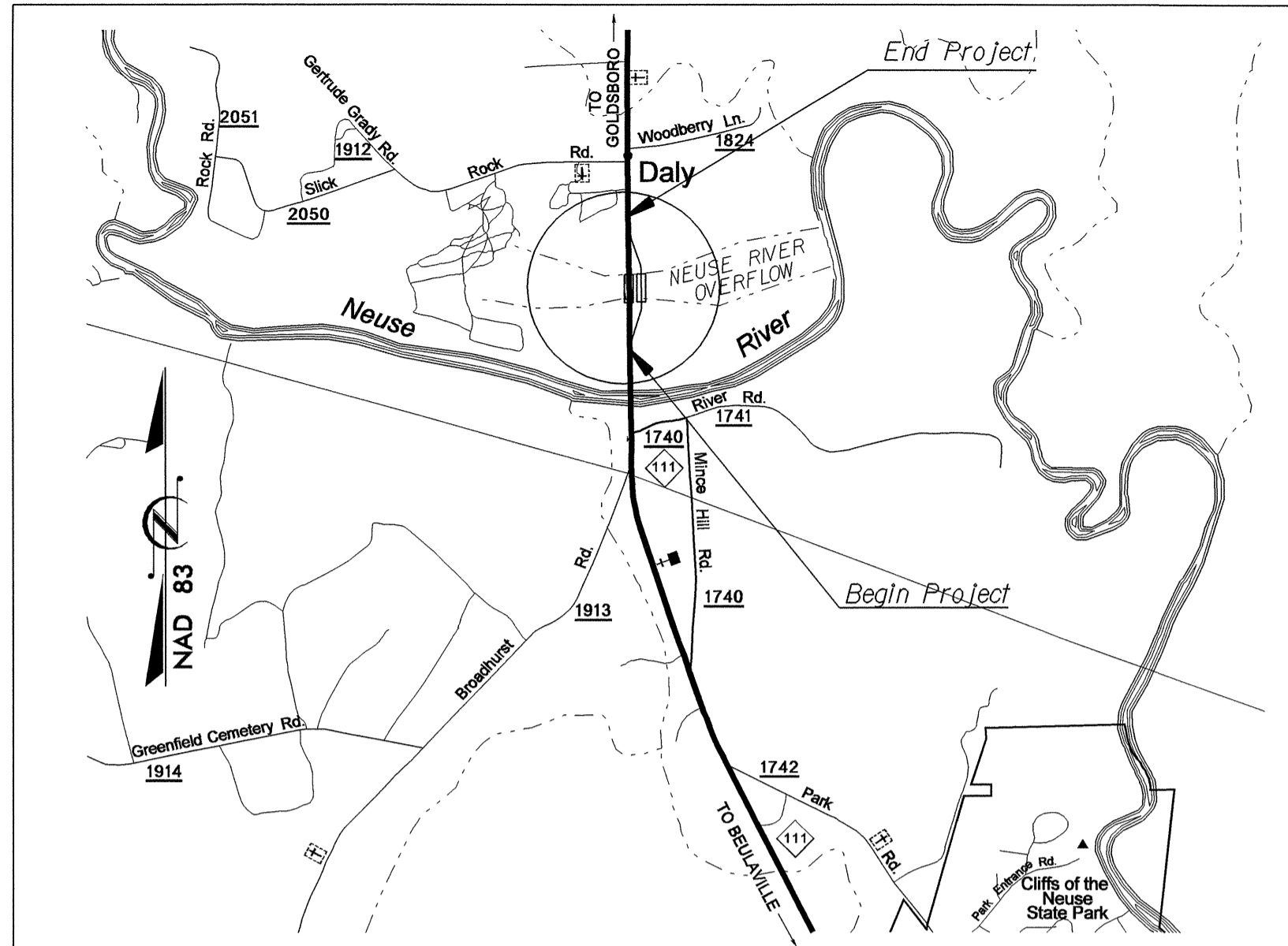


09/08/04

**CONTRACT: C201123 TIP PROJECT: B-3711**

See Sheet 1-A For Index of Sheets



**Vicinity Map**

STATE OF NORTH CAROLINA  
DIVISION OF HIGHWAYS

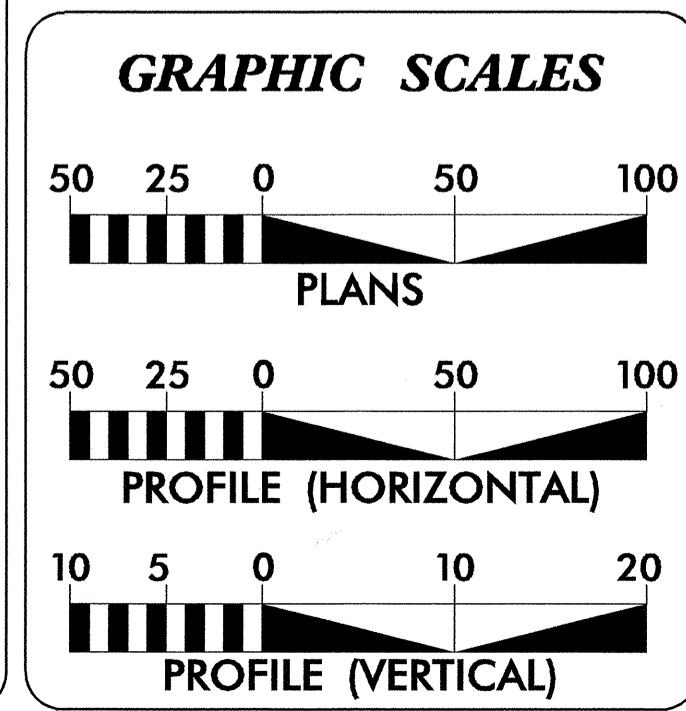
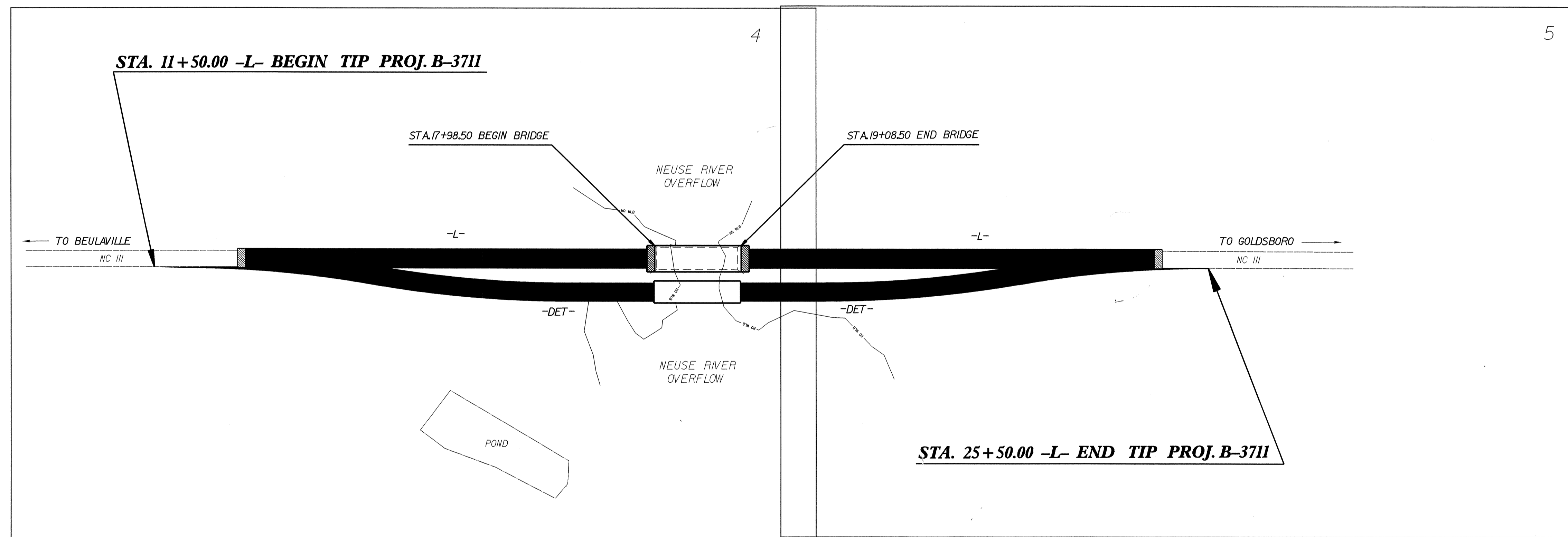
**WAYNE COUNTY**

**LOCATION: BRIDGE NO. 42 OVER NEUSE RIVER OVERFLOW  
ON NC III**

**TYPE OF WORK: GRADING, DRAINAGE, PAVING, AND STRUCTURES**



STATE	STATE PROJECT REFERENCE NO.	SHEET NO.	TOTAL SHEETS
N.C.	B-3711	1	
STATE PROJ. NO.	F. A. PROJ. NO.	DESCRIPTION	
33251.1.1	BRSTP-111(5)	PE	
33251.3.1	BRSTP-111(5)	RW & UTIL	
33251.2.2	BRSTP-111(9)	CONST.	



**DESIGN DATA**

ADT 2004 =	6,913
ADT 2025 =	10,500
DHV =	10 %
D =	60 %
T =	4 % *
V =	60 MPH
* TTST 1% DUAL 3%	
FUNC. CLASS	RURAL MAJOR COLLECTOR

**PROJECT LENGTH**

LENGTH ROADWAY TIP PROJECT B-3711 =	0.244 MI.
LENGTH STRUCTURE TIP PROJECT B-3711 =	0.021 MI.
TOTAL LENGTH STATE TIP PROJECT B-3711 =	0.265 MI.

Prepared in the Office of:  
**DIVISION OF HIGHWAYS**  
1000 Birch Ridge Dr., NC, 27610

2002 STANDARD SPECIFICATIONS

**RIGHT OF WAY DATE:**  
SEPTEMBER 29, 2003

**LETTING DATE:**  
DECEMBER 21, 2004

**G. E. BREW, PE**  
PROJECT ENGINEER

**W. T. BEST**  
PROJECT DESIGN ENGINEER

**HYDRAULICS ENGINEER**

**ROADWAY DESIGN ENGINEER**

9.30.04

**DIVISION OF HIGHWAYS**  
STATE OF NORTH CAROLINA

**STATE DESIGN ENGINEER**

**DEPARTMENT OF TRANSPORTATION**  
FEDERAL HIGHWAY ADMINISTRATION

**APPROVED**  
DIVISION ADMINISTRATOR

DATE

30-SEP-2004 10:08  
R:\PROJ\03711\TIP\02\12303  
wosm\TH AT RD212303