
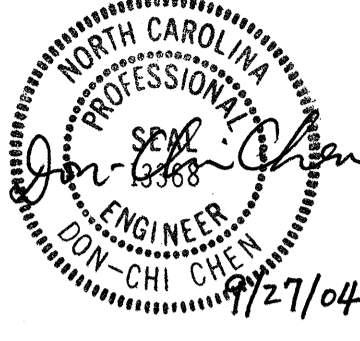
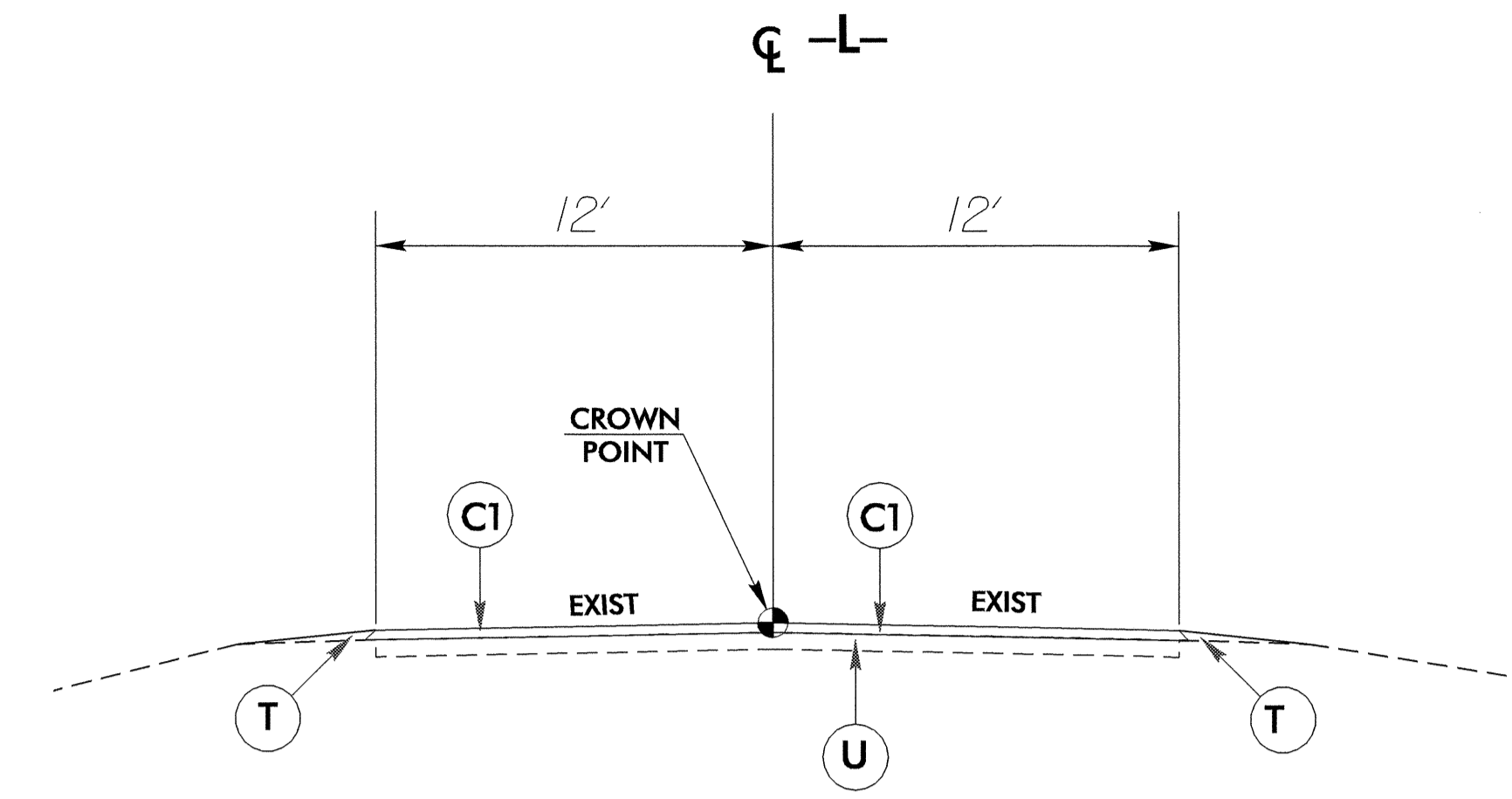


PROJECT REFERENCE NO. B-3711	SHEET NO. 2
ROADWAY DESIGN ENGINEER 	PAVEMENT DESIGN ENGINEER 

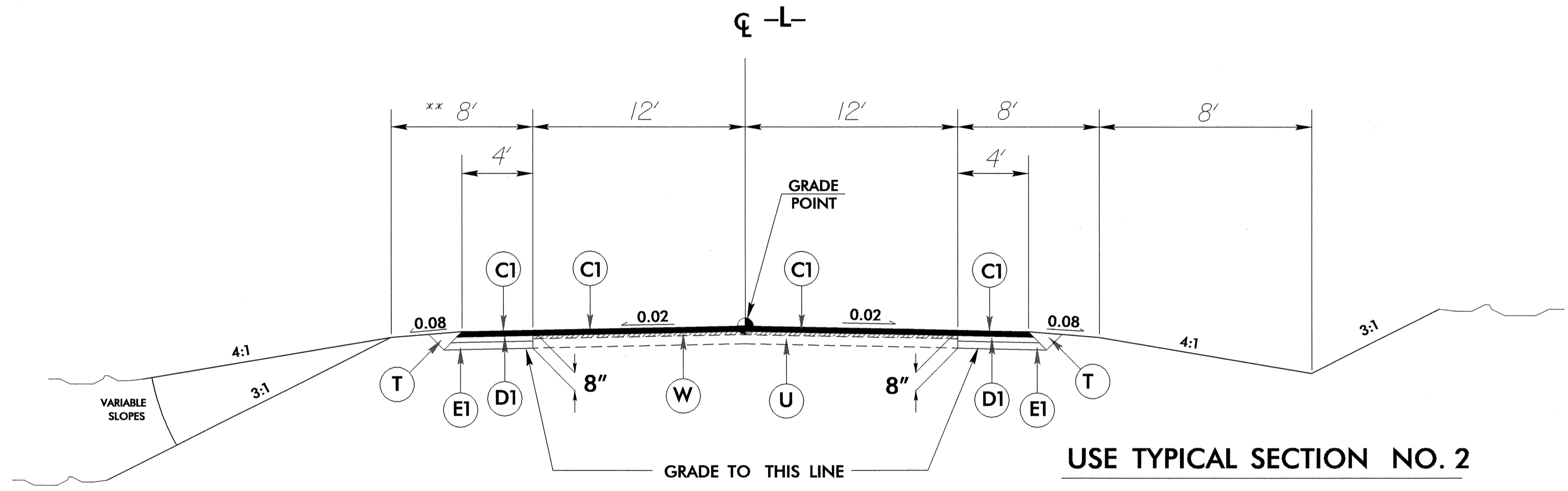
FINAL PAVEMENT SCHEDULE	
C1	PROP. APPROX. 2.5" ASPHALT CONCRETE SURFACE COURSE, TYPE S9.5B, AT AN AVERAGE RATE OF 140 LBS. PER SQ. YD. IN EACH OF TWO LAYERS.
C2	PROP. VAR. DEPTH ASPHALT CONCRETE SURFACE COURSE, TYPE S9.5B, AT AN AVERAGE RATE OF 112 LBS. PER SQ. YD. PER 1" DEPTH. TO BE PLACED IN LAYERS NOT TO EXCEED 1.5" IN DEPTH.
D1	PROP. APPROX. 2.5" ASPHALT CONCRETE INTERMEDIATE COURSE, TYPE I19.0B, AT AN AVERAGE RATE OF 285 LBS. PER SQ. YD.
D2	PROP. VAR. DEPTH ASPHALT CONCRETE INTERMEDIATE COURSE, TYPE I19.0B, AT AN AVERAGE RATE OF 114 LBS. PER SQ. YD. PER 1" DEPTH, TO BE PLACED IN LAYERS NOT LESS THAN 2.25" IN DEPTH OR GREATER THAN 4" IN DEPTH.
E1	PROP. APPROX. 3" ASPHALT CONCRETE BASE COURSE, TYPE B25.0B, AT AN AVERAGE RATE OF 342 LBS. PER SQ. YD.
E2	PROP. VAR. DEPTH ASPHALT CONCRETE BASE COURSE, TYPE B25.0B, AT AN AVERAGE RATE OF 114 LBS. PER SQ. YD. PER 1" DEPTH. TO BE PLACED IN LAYERS NOT LESS THAN 3" IN DEPTH OR GREATER THAN 5.5" IN DEPTH.
J1	PROP. 6" AGGREGATE BASE COURSE.
P1	PRIME COAT AT RATE OF .35 GAL. PER SQ. YD.
R1	CONCRETE SHOULDER BERM GUTTER
T	EARTH MATERIAL.
U	EXISTING PAVEMENT
W	VARIABLE DEPTH ASPHALT PAVEMENT (SEE WEDGING DETAIL)

NOTE: PAVEMENT EDGE SLOPES ARE 1:1 UNLESS SHOWN OTHERWISE.



TYPICAL SECTION NO. 1

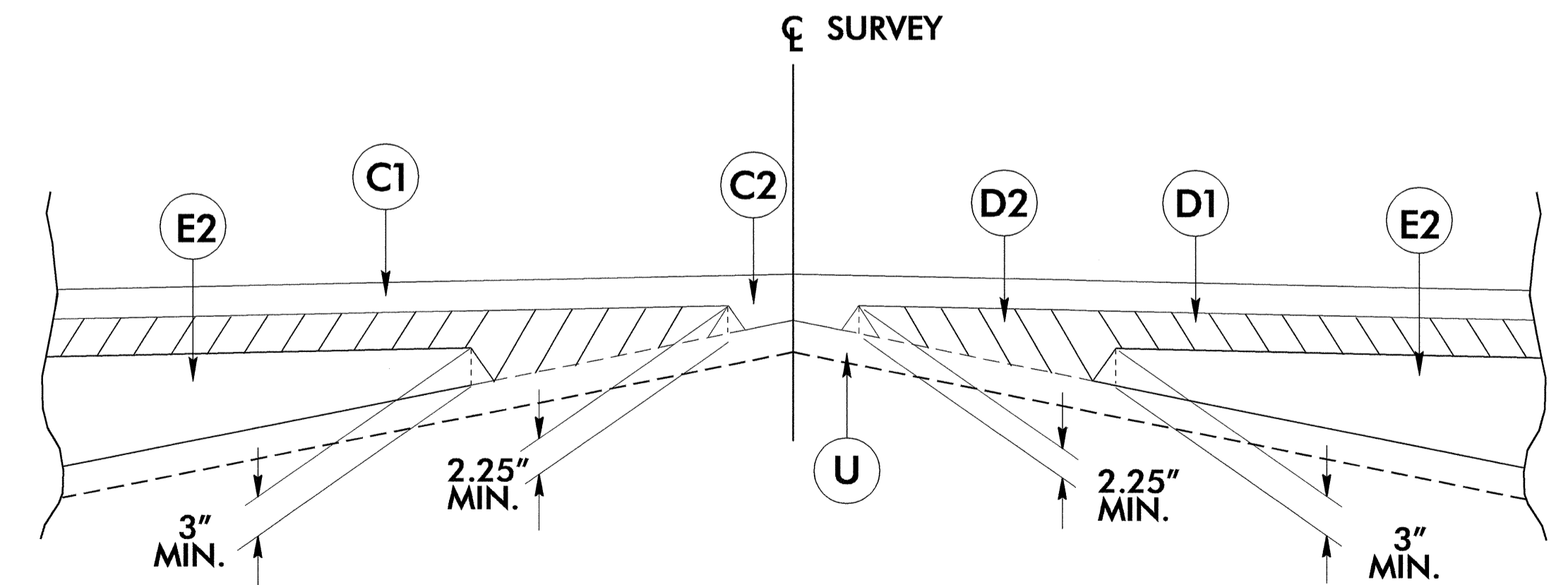
**USE TYPICAL SECTION NO. 1**  
 -L- FROM STA.11+50.00 TO STA.12+00.00  
 -L- FROM STA.12+00.00 TO STA.13+00.00, TRANSITION FROM T.S.NO.1 TO T.S.NO.2  
 -L- FROM STA.24+50.00 TO STA.25+50.00, TRANSITION FROM T.S.NO.2 TO EXISTING



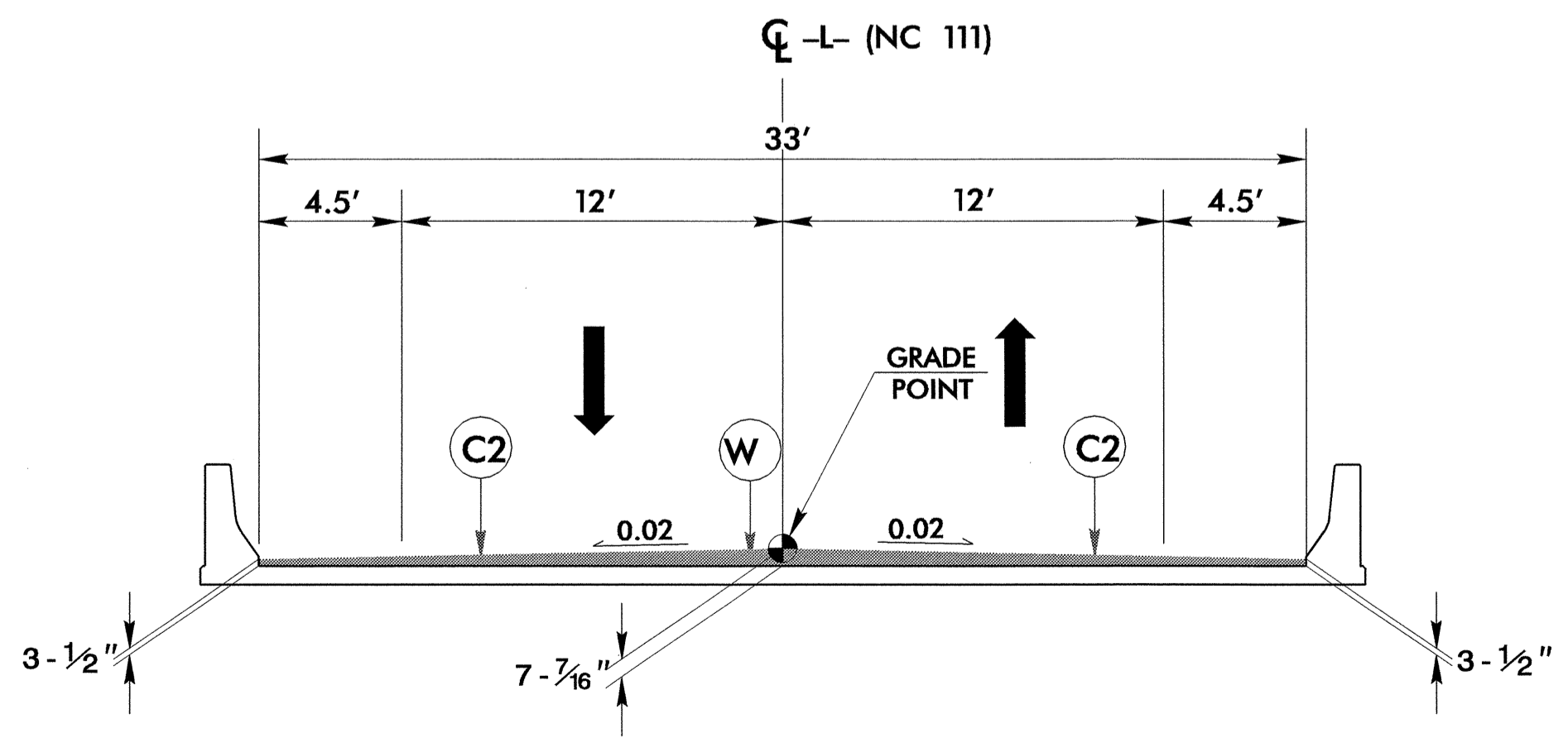
TYPICAL SECTION NO. 2

-L- FROM STA.13+00.00 TO STA.14+35.00  
 -L- FROM STA.22+25.00 TO STA.24+50.00

\*\* 11' AT GUARDRAIL LOCATION



Detail Showing Method of Wedging



BRIDGE TYPICAL SECTION

**USE BRIDGE TYPICAL SECTION**

-L- STA.17+98.50 TO STA.19+08.50