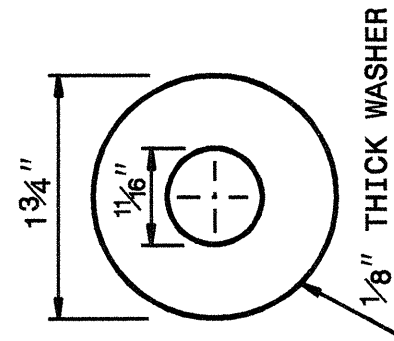
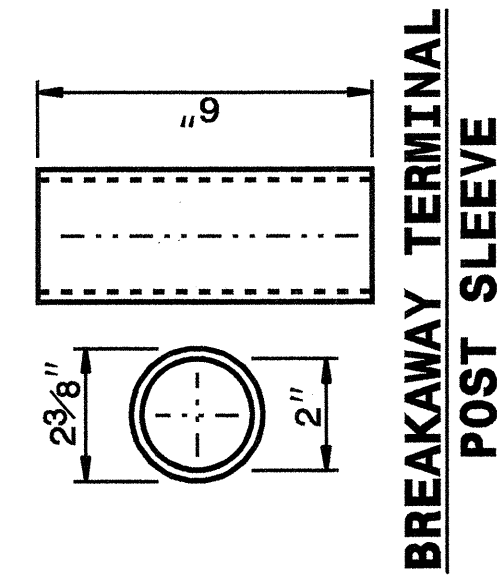


STATE OF  
 NORTH CAROLINA  
 DEPT. OF TRANSPORTATION  
 DIVISION OF HIGHWAYS  
 RALEIGH, N.C.

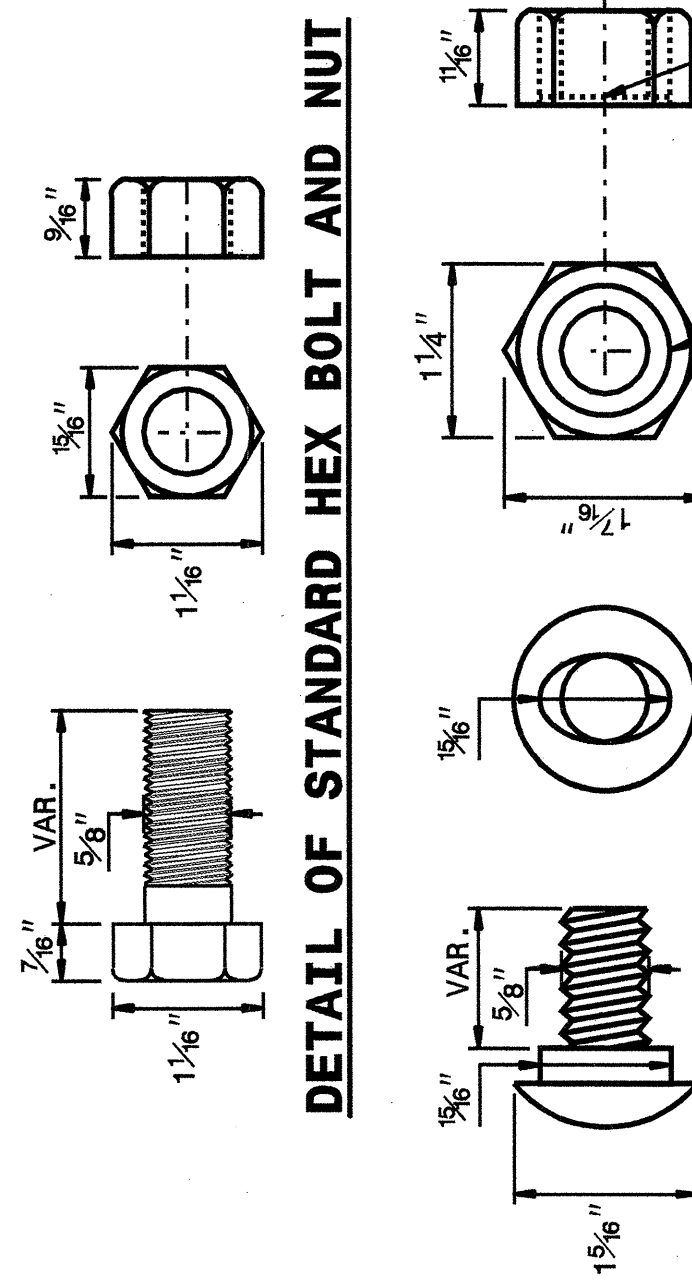
ENGLISH DETAIL DRAWING FOR  
**GUARDRAIL INSTALLATION**

SHEET 5 OF 7  
**862D02**

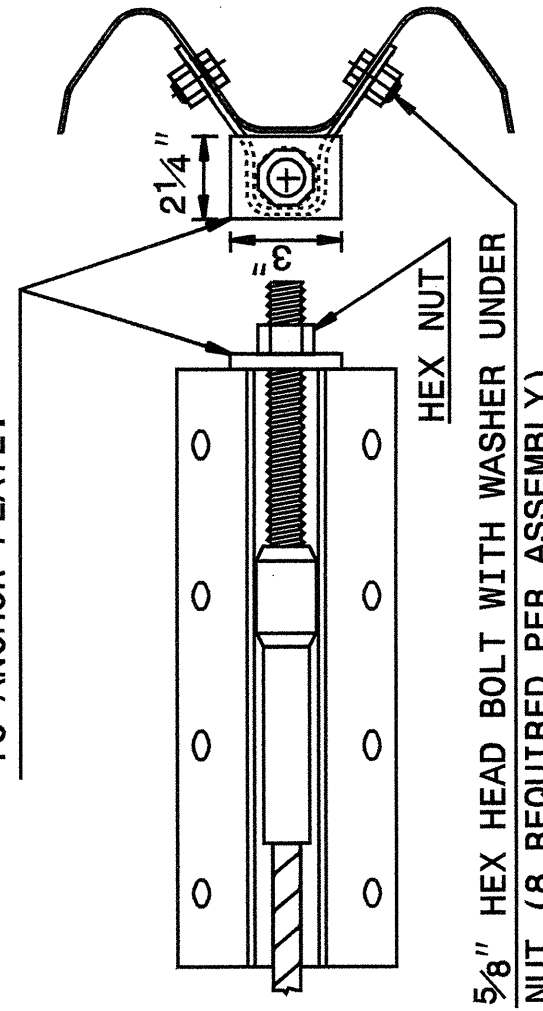


**DETAIL OF STANDARD WASHER**

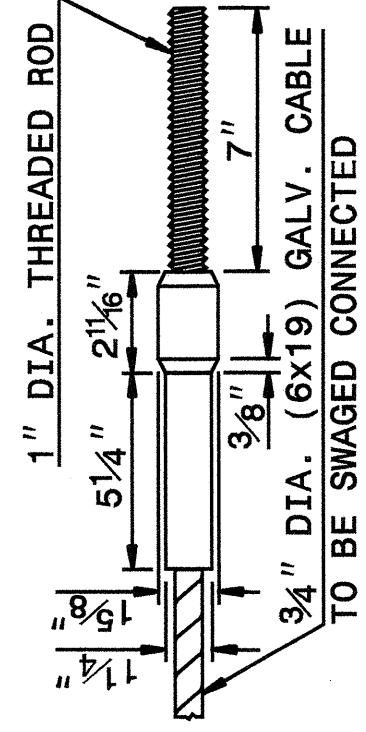
STANDARD WASHER: TYPICAL USE UNDER NUT WITH WOOD POST



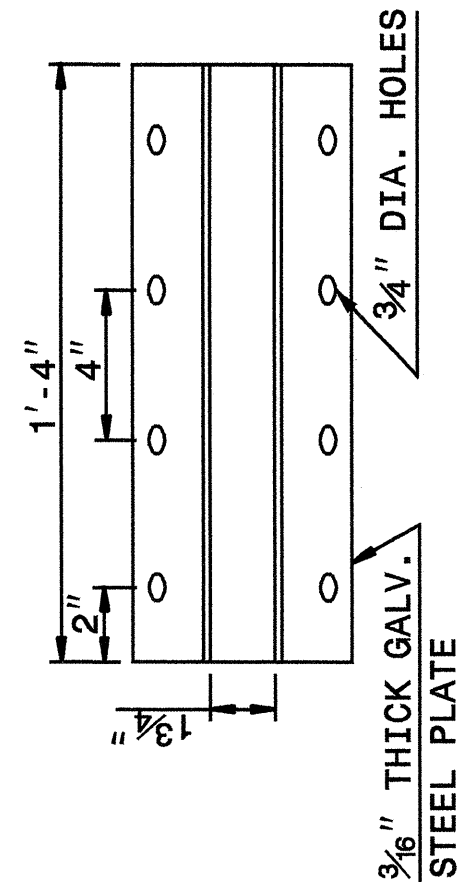
3/8" THICK END PLATE WITH 1 1/8" DIA. HOLE CENTERED IN PLATE. END PLATE TO BE WELDED TO ANCHOR PLATE.



5/8" HEX HEAD BOLT WITH WASHER UNDER NUT (8 REQUIRED PER ASSEMBLY)



TO BE SWAGED CONNECTED



**SYSTEM PARTS**

SHEET 5 OF 7  
**862D02**

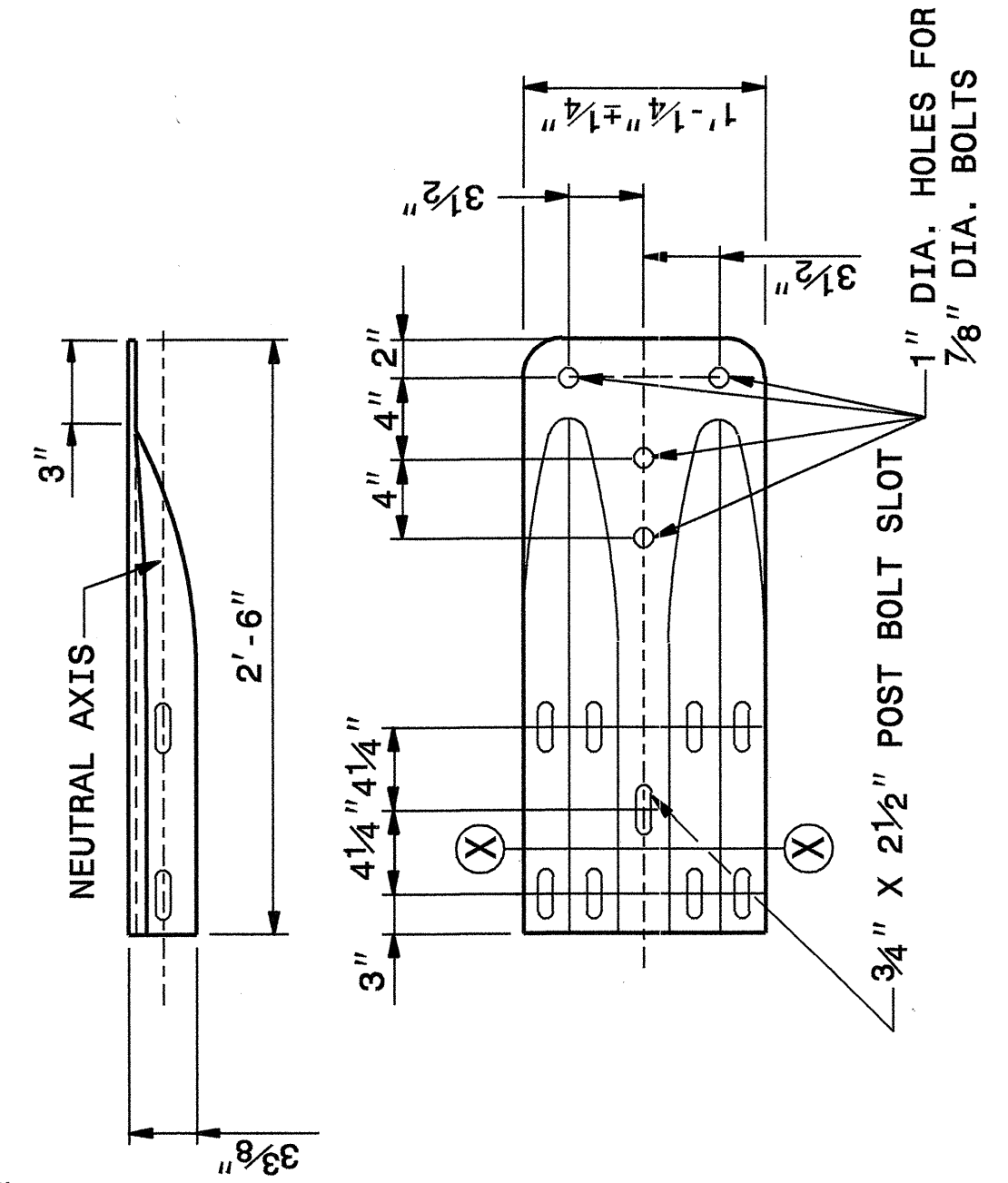
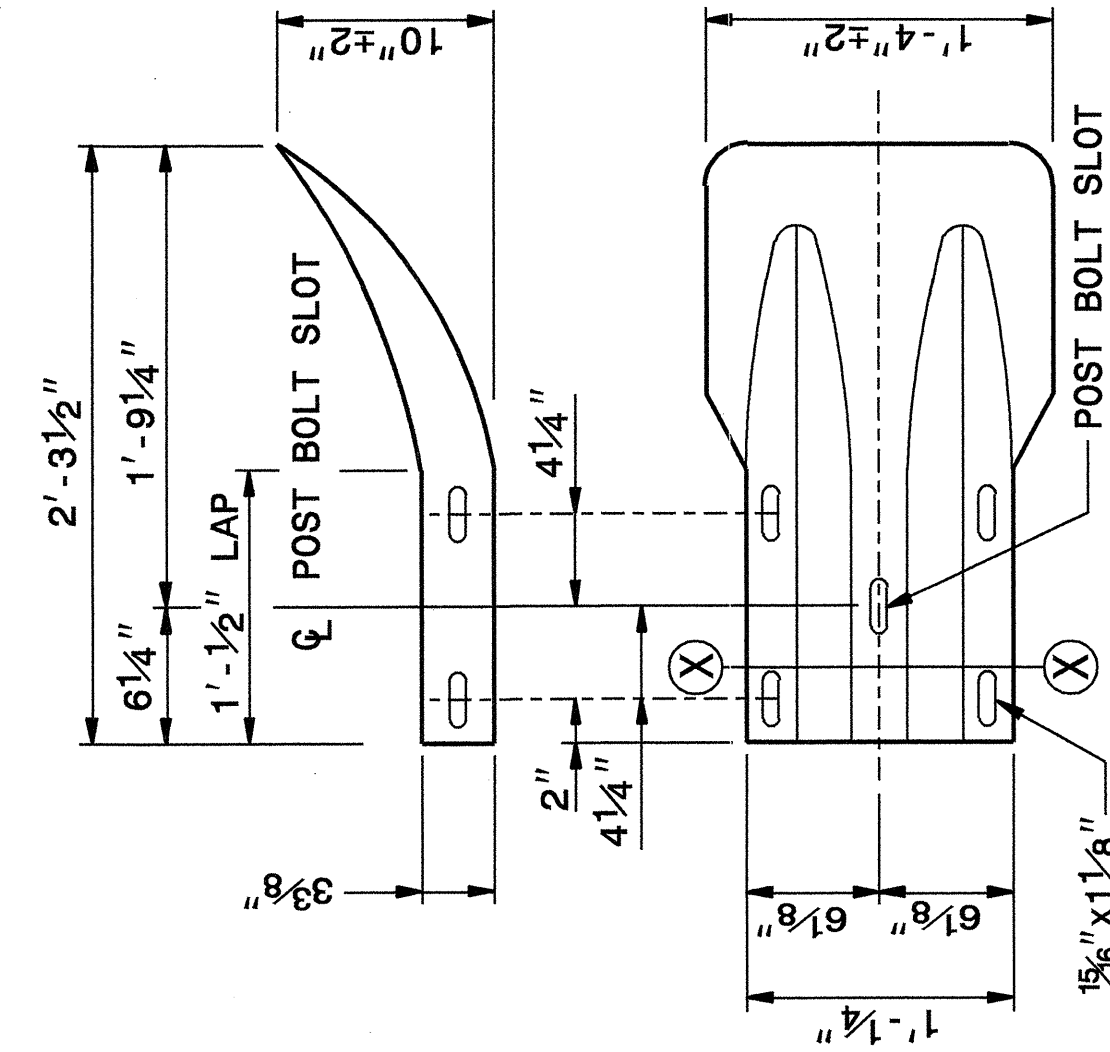
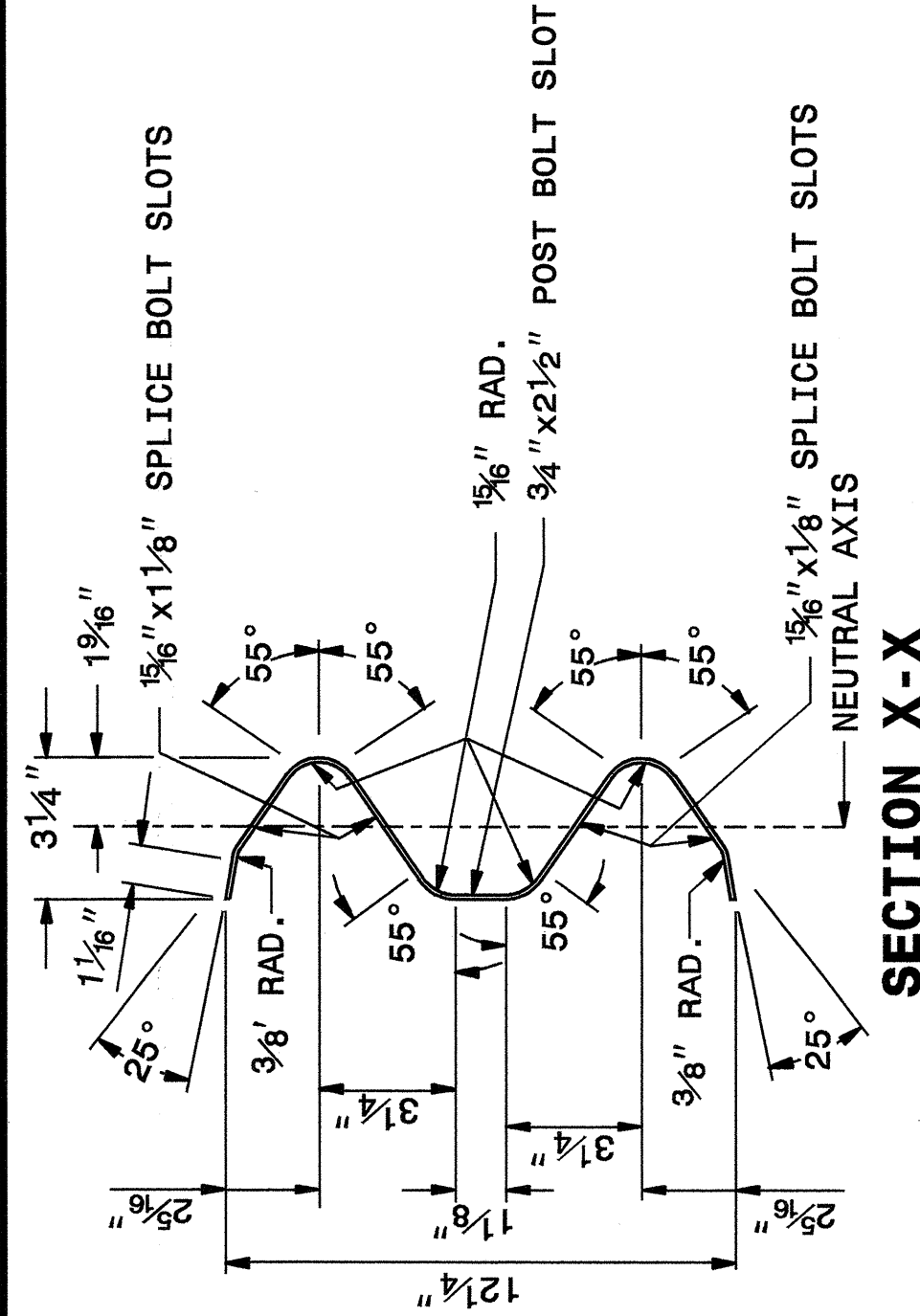
STATE OF  
 NORTH CAROLINA  
 DEPT. OF TRANSPORTATION  
 DIVISION OF HIGHWAYS  
 RALEIGH, N.C.

ENGLISH DETAIL DRAWING FOR  
**GUARDRAIL INSTALLATION**

STATE OF  
 NORTH CAROLINA  
 DEPT. OF TRANSPORTATION  
 DIVISION OF HIGHWAYS  
 RALEIGH, N.C.

ENGLISH DETAIL DRAWING FOR  
**GUARDRAIL INSTALLATION**

SHEET 6 OF 7  
**862D02**



**SYSTEM PARTS - GENERAL USE**

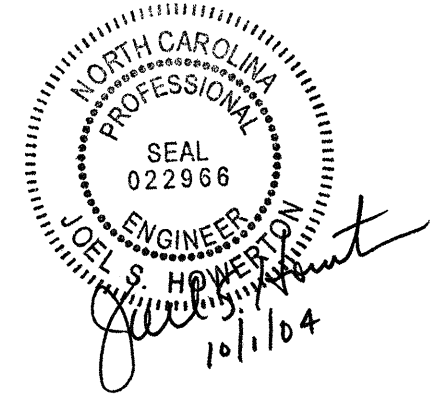
SHEET 6 OF 7  
**862D02**

STATE OF  
 NORTH CAROLINA  
 DEPT. OF TRANSPORTATION  
 DIVISION OF HIGHWAYS  
 RALEIGH, N.C.

ENGLISH DETAIL DRAWING FOR  
**GUARDRAIL INSTALLATION**

**SEE PLATE FOR TITLE**

ORIGINAL BY: 2002 STD. 862.02 DATE: 02-09-03  
 MODIFIED BY: E. E. WARD DATE: 5-03  
 CHECKED BY: *[Signature]* DATE: 5-03  
 FILE SPEC.: Iusr\std\02\stds\02\stds to Special Details\english\86202\862d02.dgn



**DESIGN SERVICES UNIT**  
**STANDARDS AND SPECIAL DESIGN**  
 Office 919-250-4128 FAX 919-250-4119