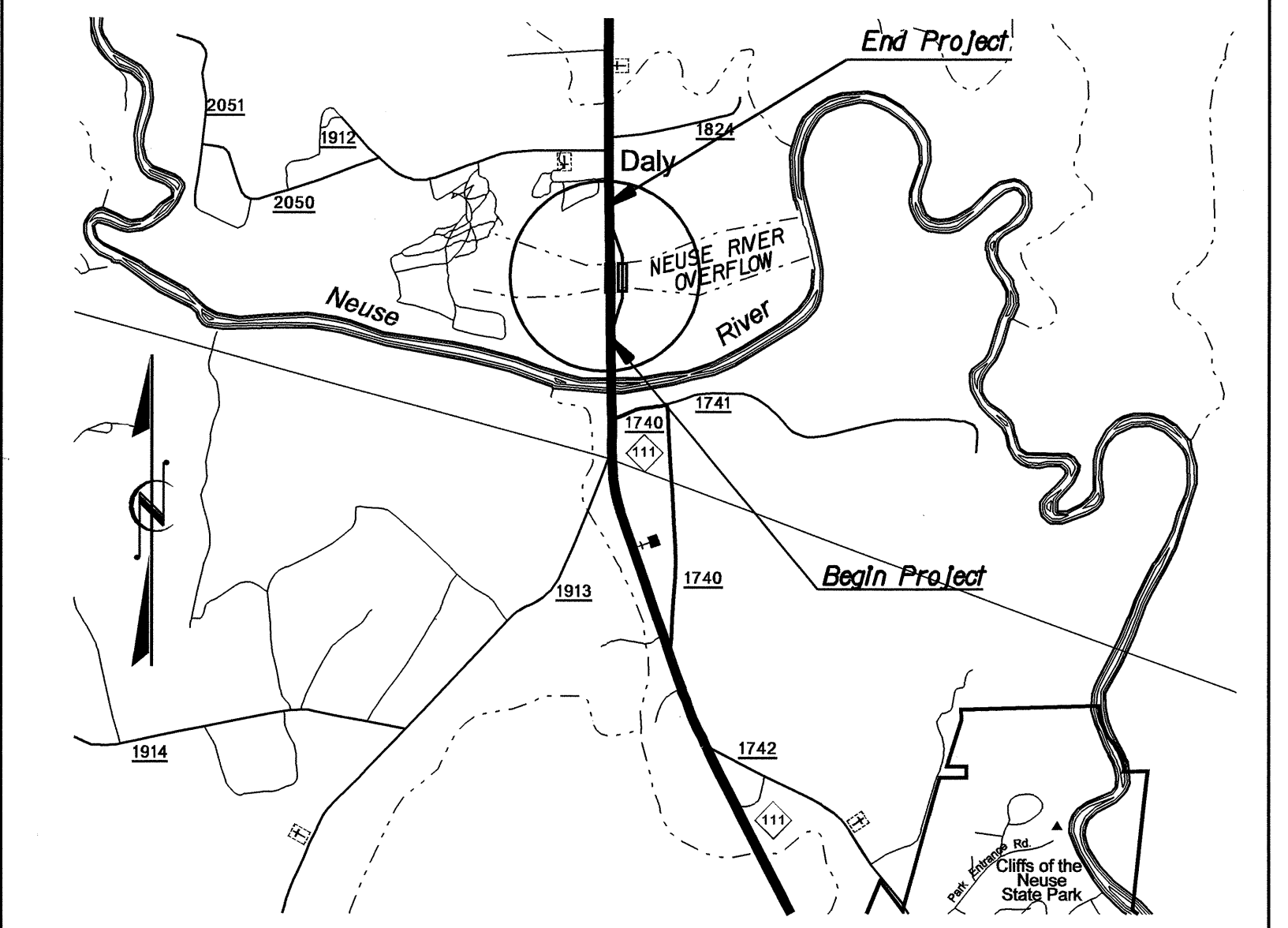


09/08/79

**CONTRACT: C201123 TIP PROJECT: B-3711**



*Vicinity Map*

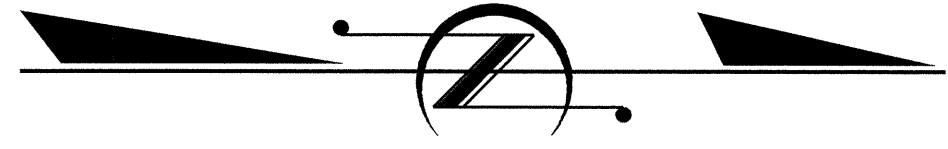
STATE OF NORTH CAROLINA  
DIVISION OF HIGHWAYS

**WAYNE COUNTY**

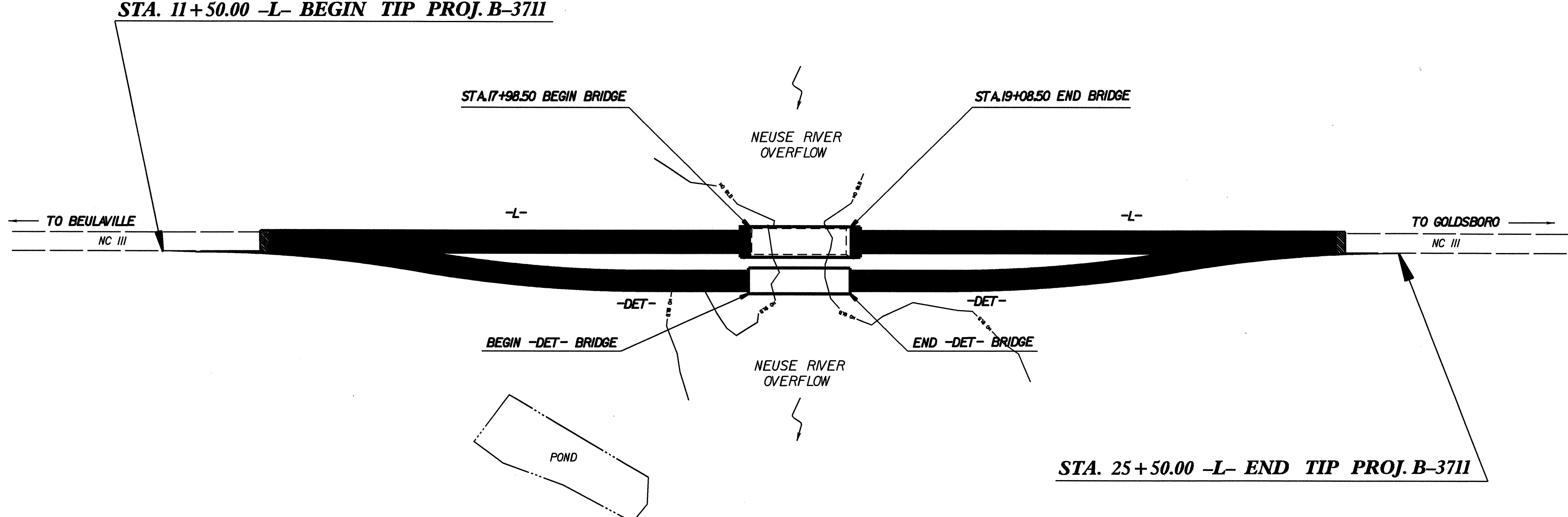
**LOCATION: BRIDGE NO. 42 OVER NEUSE RIVER OVERFLOW  
ON NC 111**

**TYPE OF WORK: GRADING, DRAINAGE, PAVING, AND STRUCTURES**

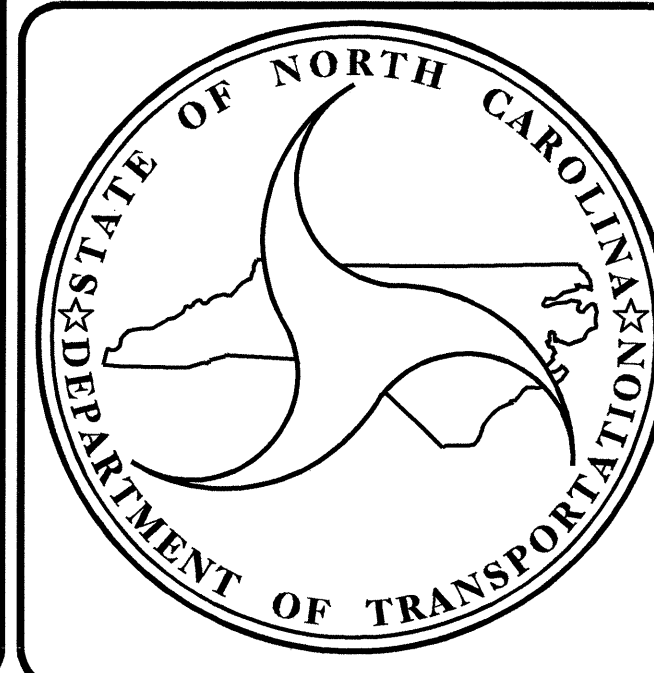
STATE	STATE PROJECT REFERENCE NO.	SHEET NO.	TOTAL SHEETS
N.C.	B-3711		
STATE PROJ. NO.	F.A. PROJ. NO.	DESCRIPTION	
33251.1.1	BRSTP-111(5)	PE	
33251.3.1	BRSTP-111(5)	RW & UTIL	
33251.2.2	BRSTP-111(9)	CONST.	



**STRUCTURE**



20-OCT-2004 09:52  
\$\$\$\$\$\$DN\$\$\$\$\$\$  
packins



DESIGN DATA	
ADT 2004 =	6,913
ADT 2025 =	10,500
DHV =	10 %
D =	60 %
T =	4 % *
V =	60 MPH
* TTST 1%	DUAL 3%
FUNC. CLASS	
RURAL MAJOR COLLECTOR	

PROJECT LENGTH	
LENGTH ROADWAY TIP PROJECT B-3711 =	0.244 MI.
LENGTH STRUCTURE TIP PROJECT B-3711 =	0.021 MI.
TOTAL LENGTH STATE TIP PROJECT B-3711 =	0.265 MI.

Prepared in the Office of:  
**DIVISION OF HIGHWAYS**  
1000 Birch Ridge Dr., NC, 27610

2002 STANDARD SPECIFICATIONS

**LETTING DATE:**  
DECEMBER 21, 2004

**OMAR R. AZIZI, P.E.**  
PROJECT ENGINEER

**TIMOTHY L. COGGINS, P.E.**  
PROJECT DESIGN ENGINEER

**STRUCTURE DESIGN**

*[Signature]*  
11-2-04

**DIVISION OF HIGHWAYS  
STATE OF NORTH CAROLINA**

STATE DESIGN ENGINEER

**DEPARTMENT OF TRANSPORTATION  
FEDERAL HIGHWAY ADMINISTRATION**

APPROVED

DIVISION ADMINISTRATOR

DATE