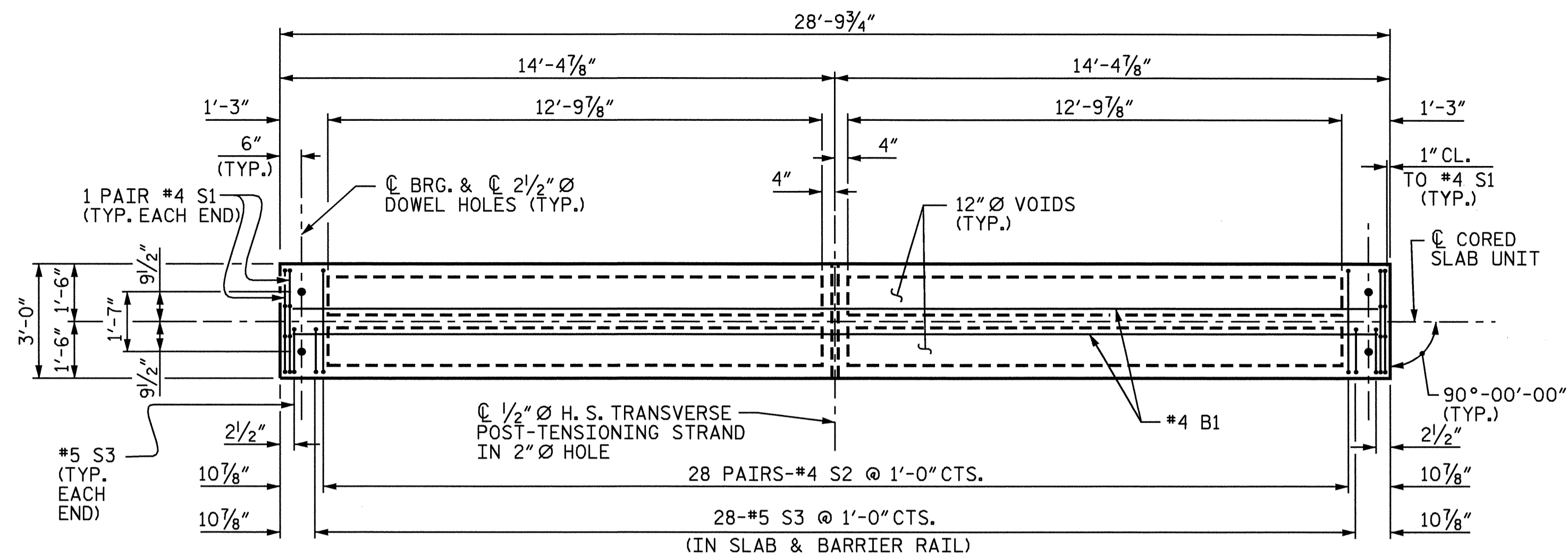
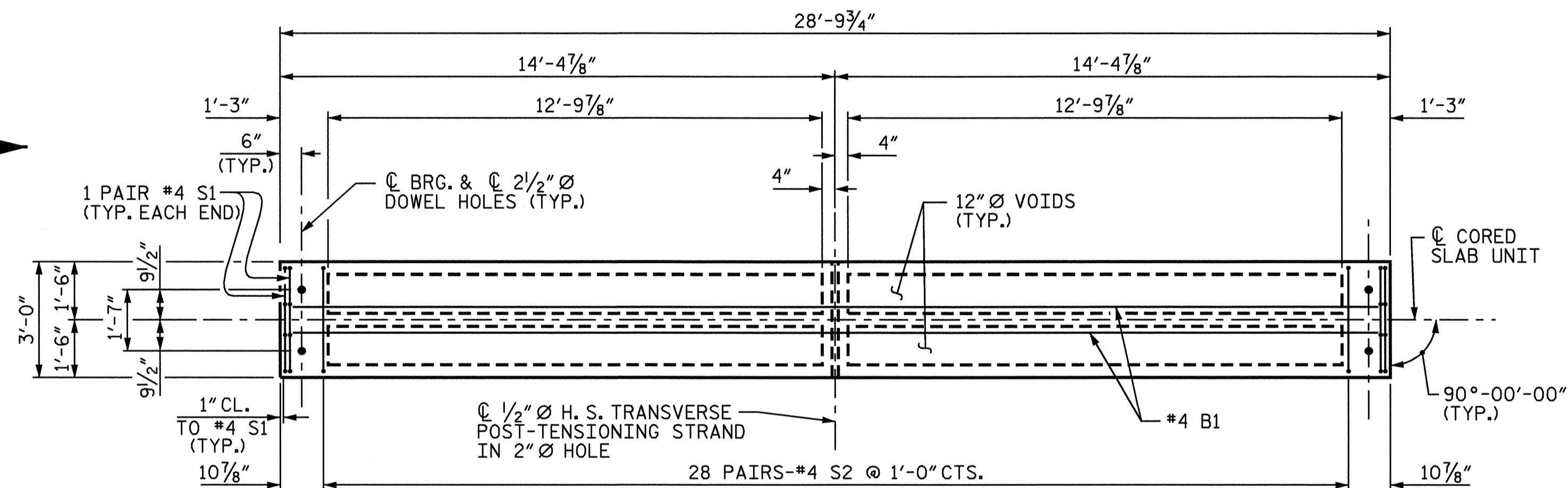


PLAN OF SPAN
 PLAN OF SPAN "A" SHOWN
 PLAN OF SPAN "C" SIMILAR BY ROTATION



PLAN OF EXTERIOR CORED SLAB UNIT



PLAN OF INTERIOR CORED SLAB UNIT

DRAWN BY: PEGGY ADKINS DATE: 10-03
 CHECKED BY: T. AVERETTE DATE: 11-03

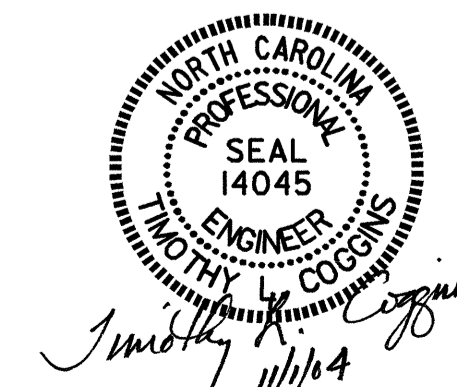
01-NOV-2004 11:18
 W:\squadr\3711\padklns\Mlorostation\B3711_SD_S1_01.dgn
 padklns

PROJECT NO. B-3711
 WAYNE COUNTY
 STATION: 18+53.50 -L-

SHEET 2 OF 4

STATE OF NORTH CAROLINA
 DEPARTMENT OF TRANSPORTATION
 RALEIGH

SUPERSTRUCTURE
 PLAN OF SPAN
 "A" AND "C"



| REVISIONS | | | | | | SHEET NO. |
|-----------|-----|-------|-----|-----|-------|--------------|
| NO. | BY: | DATE: | NO. | BY: | DATE: | S-5 |
| 1 | | | 3 | | | TOTAL SHEETS |
| 2 | | | 4 | | | 19 |

NCBDS